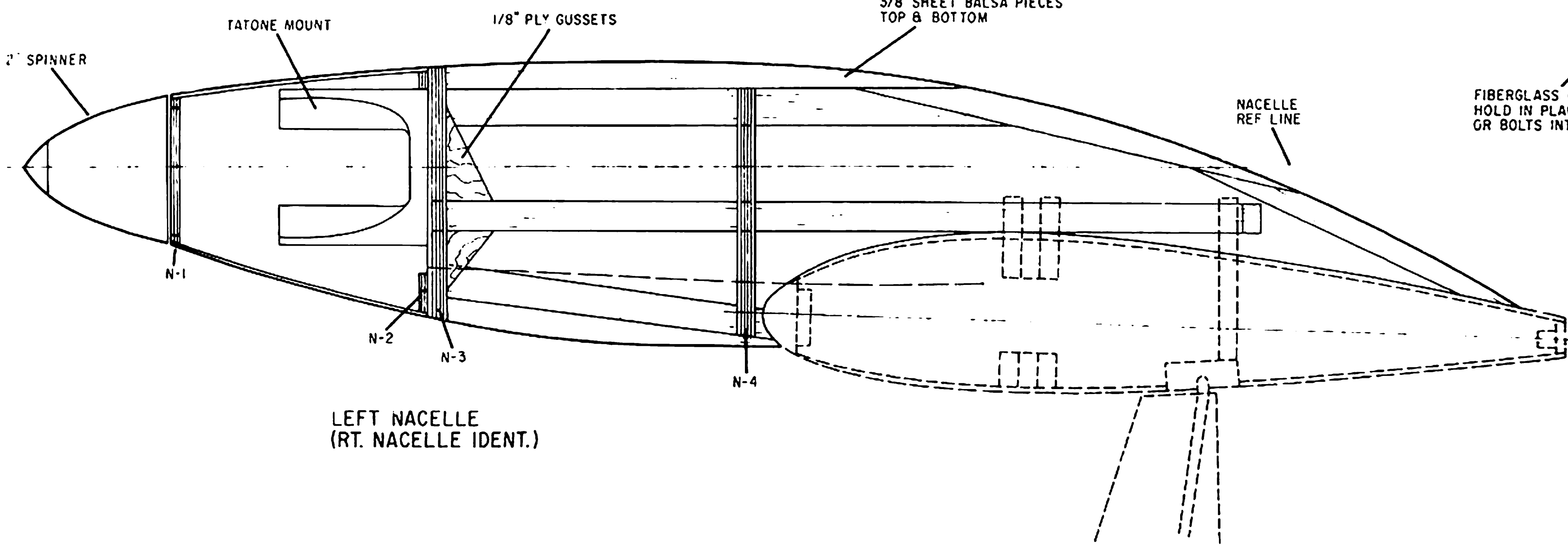
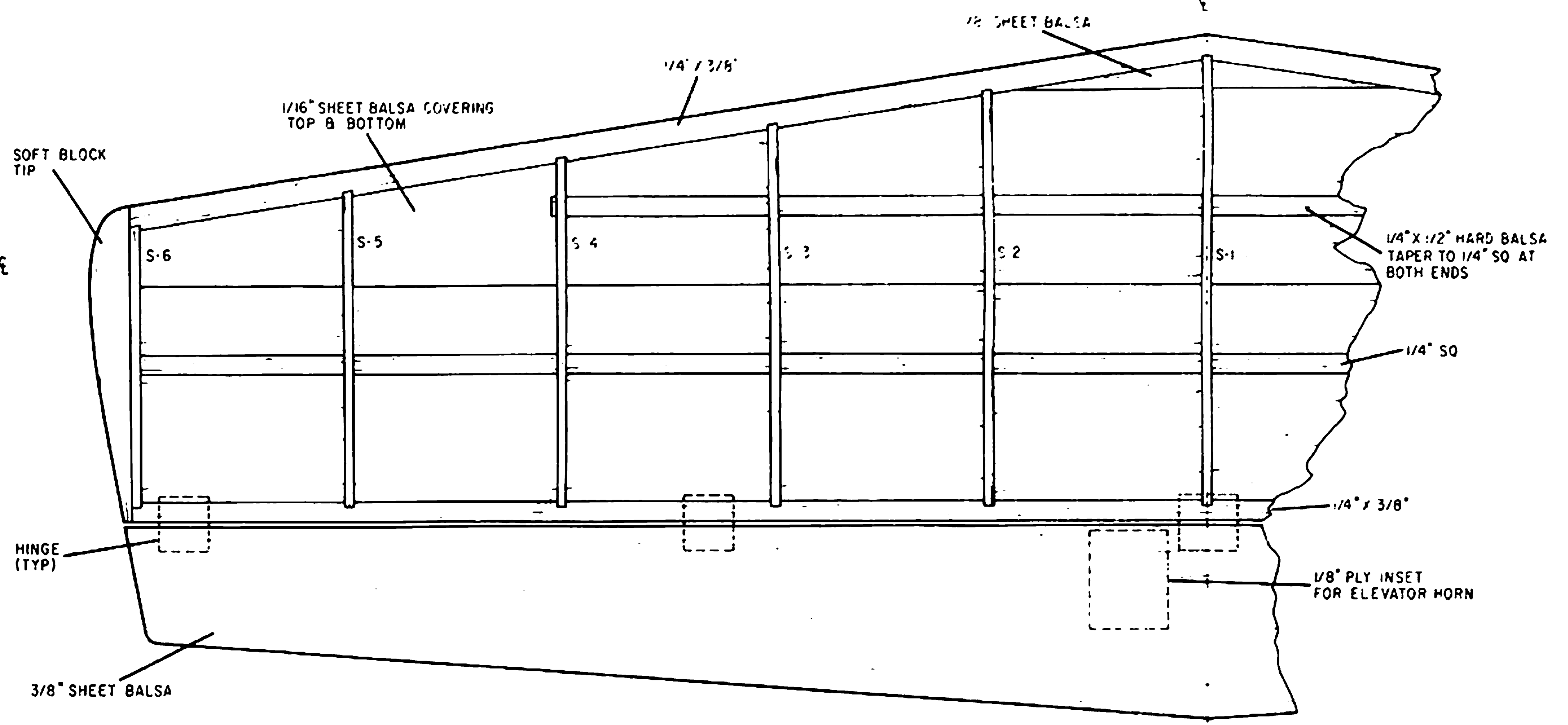
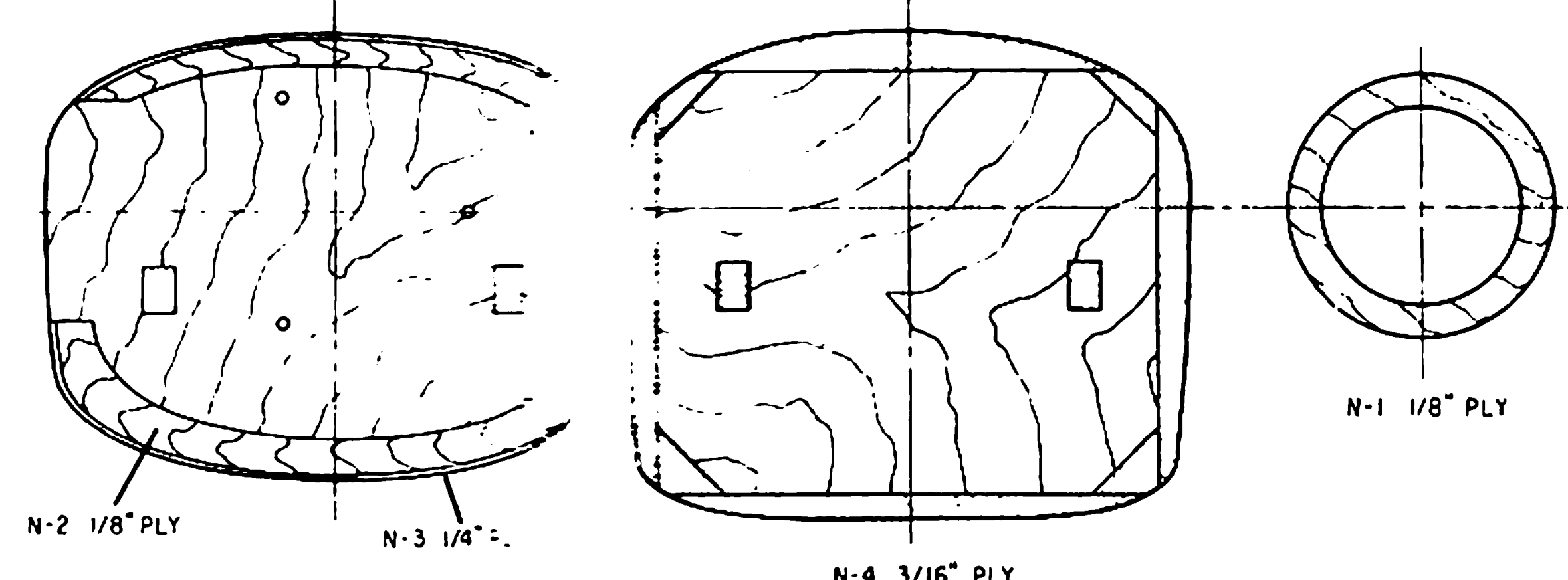
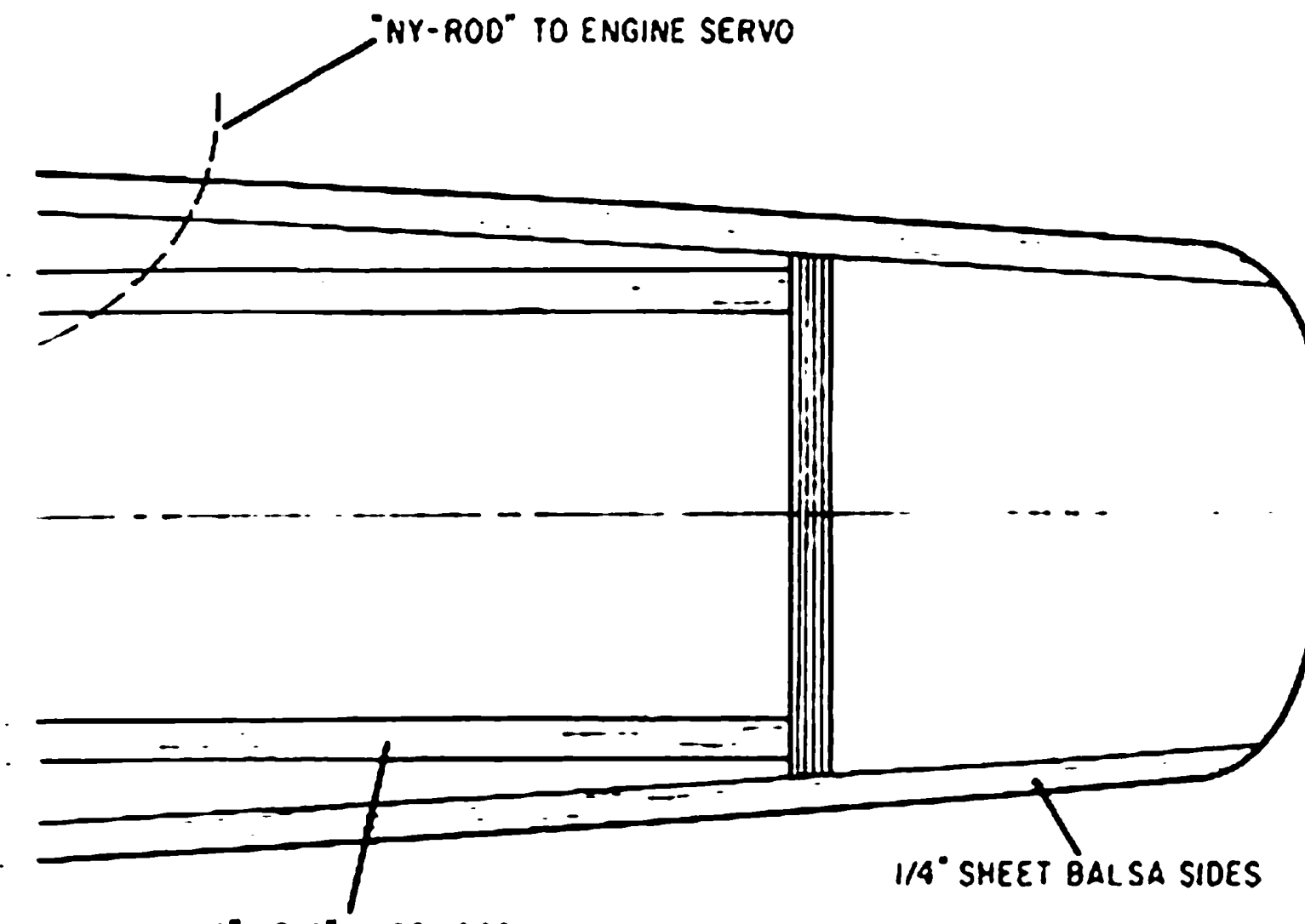
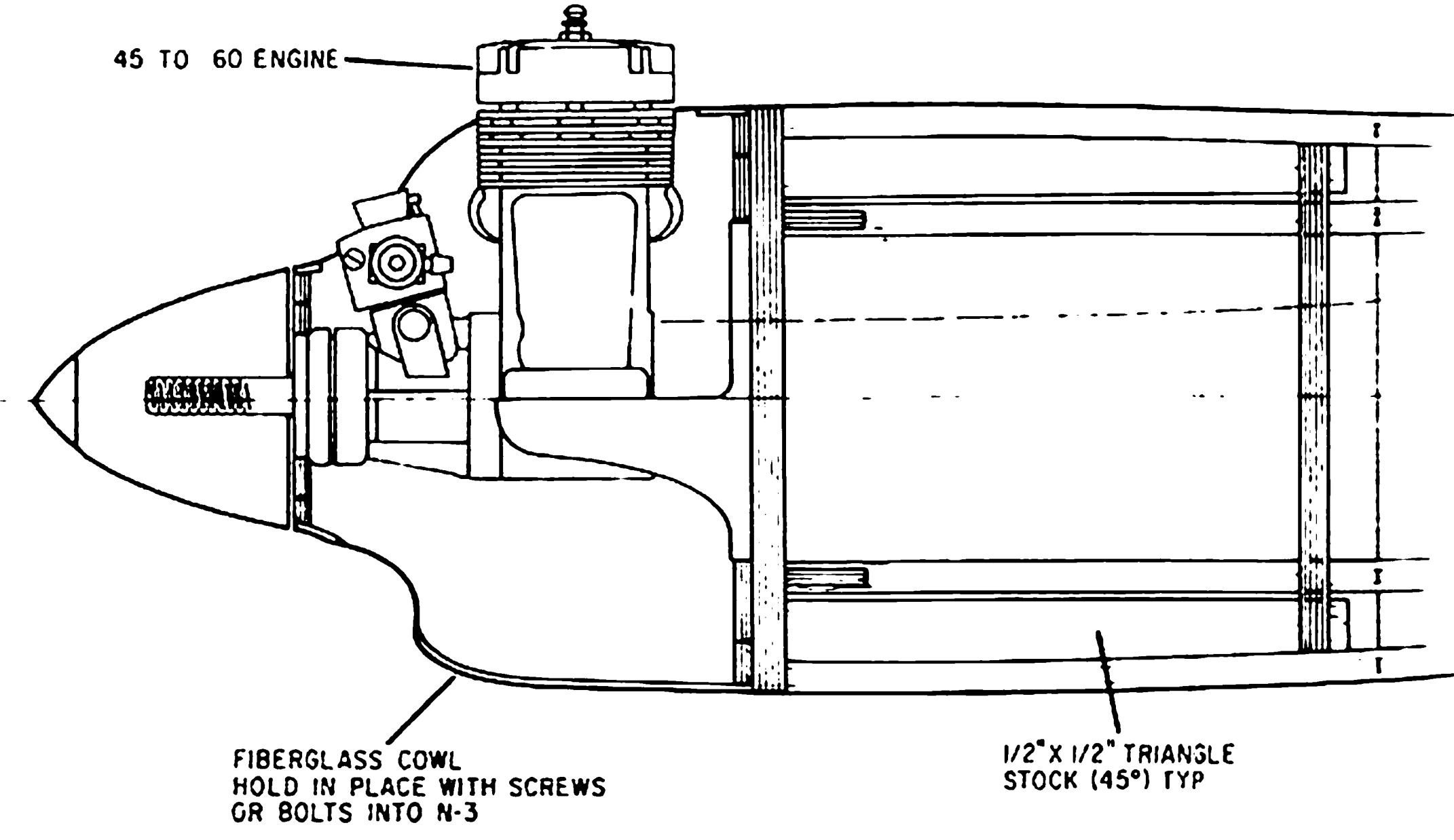


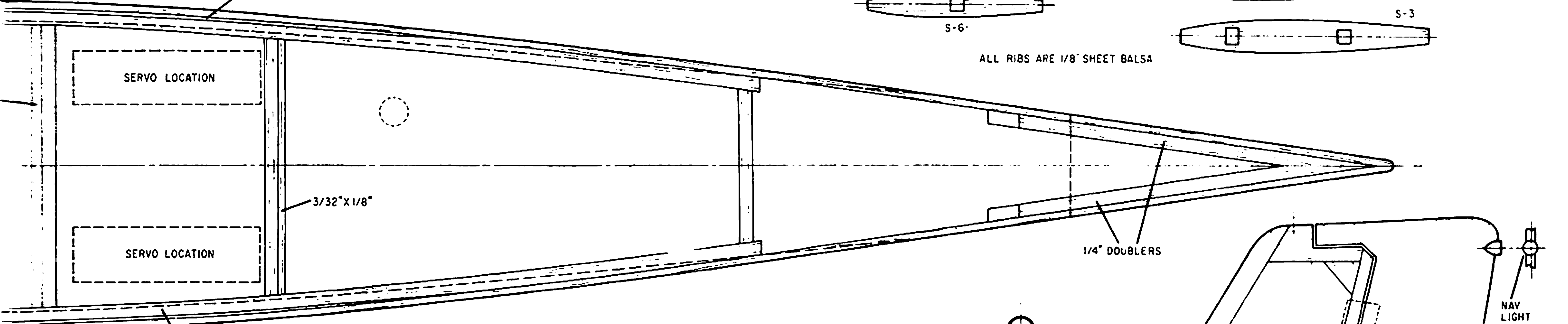
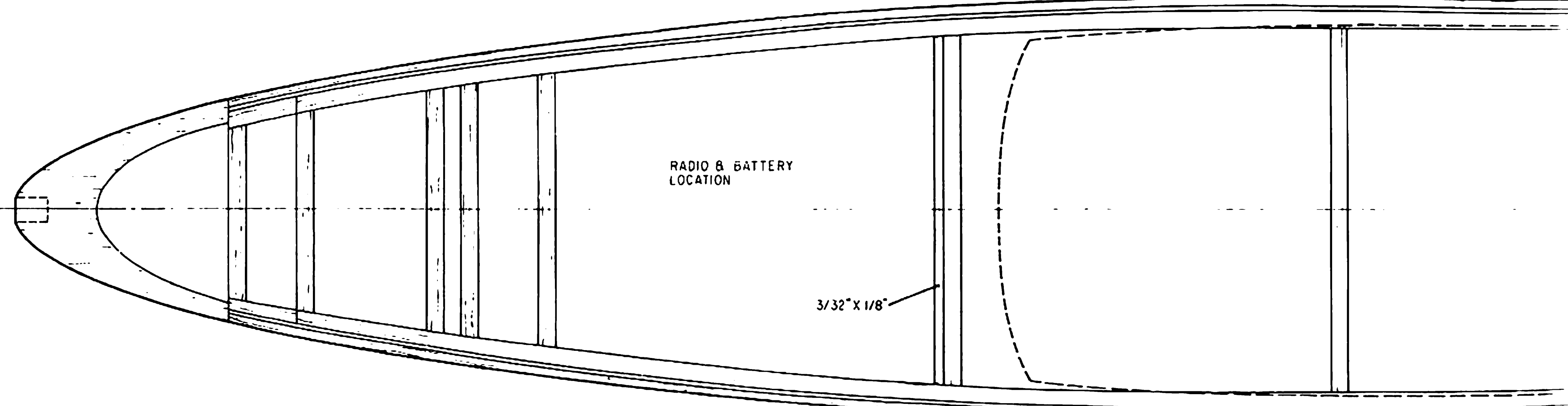
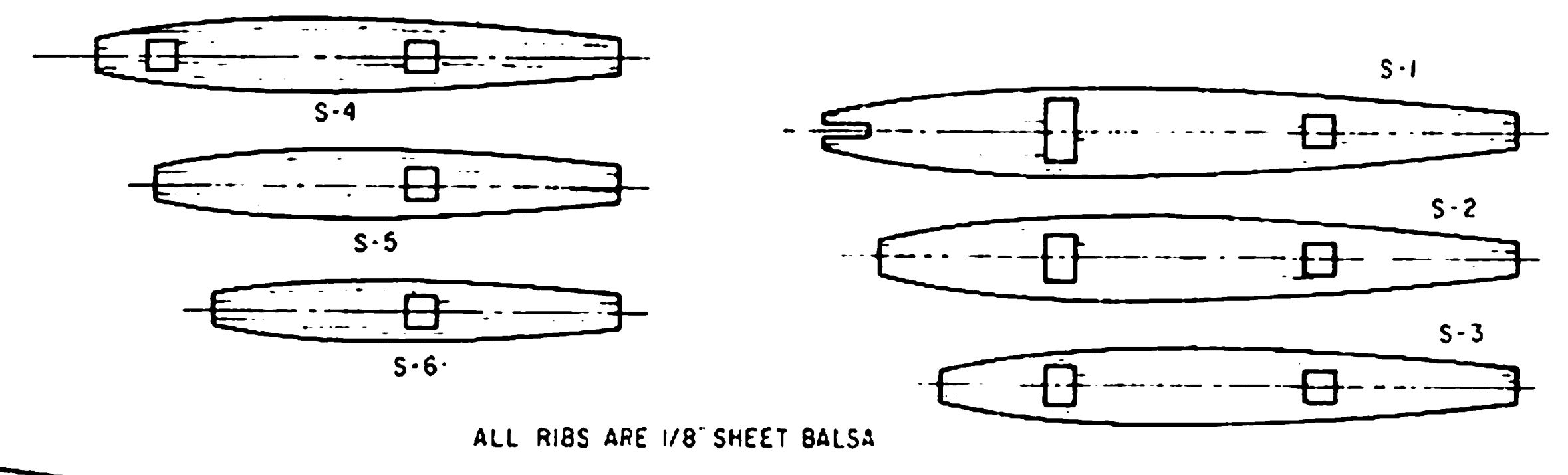
NOTE ENGINE SET 2° DOWN THRUST
NO SIDE THRUST



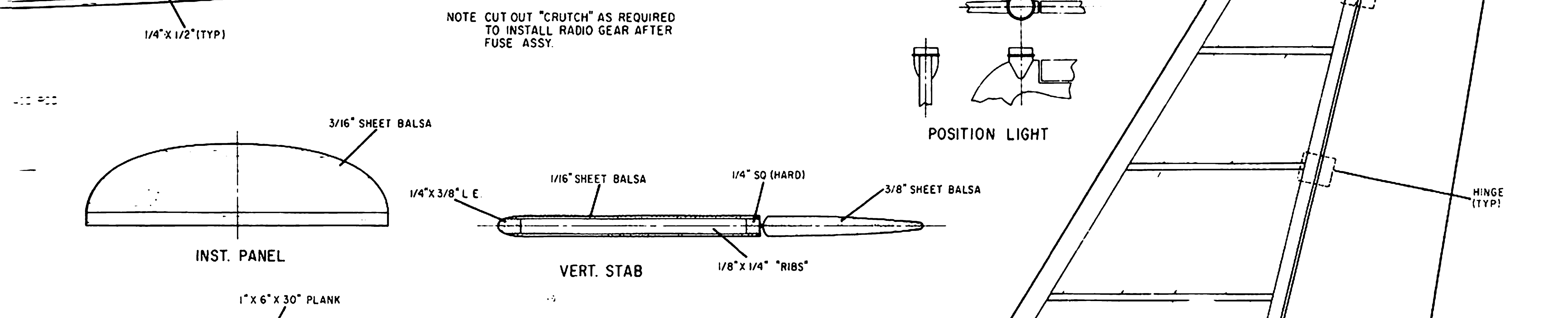
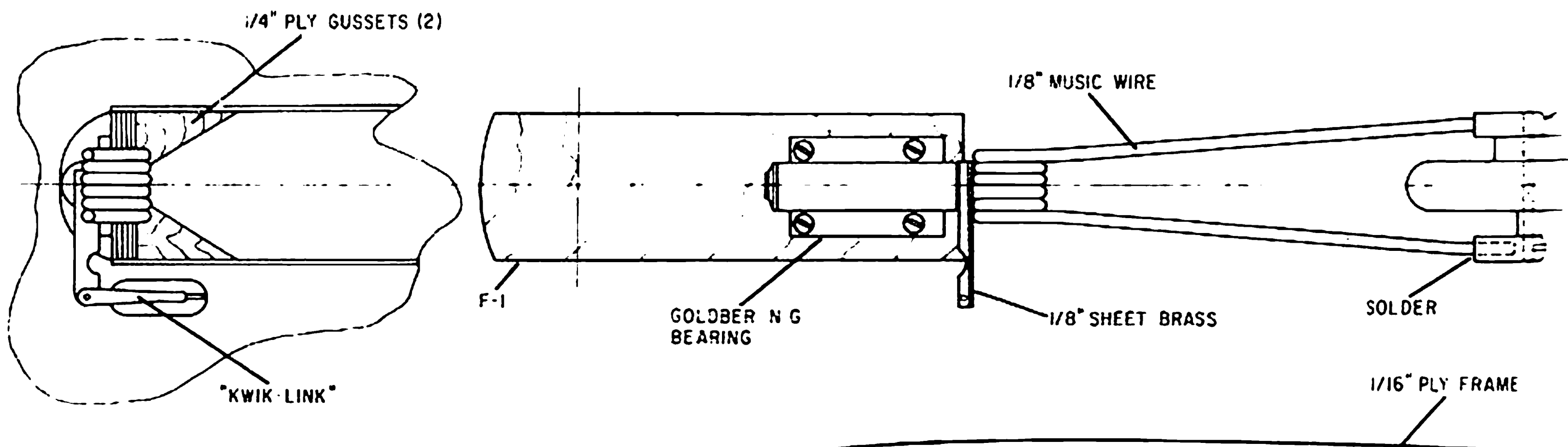
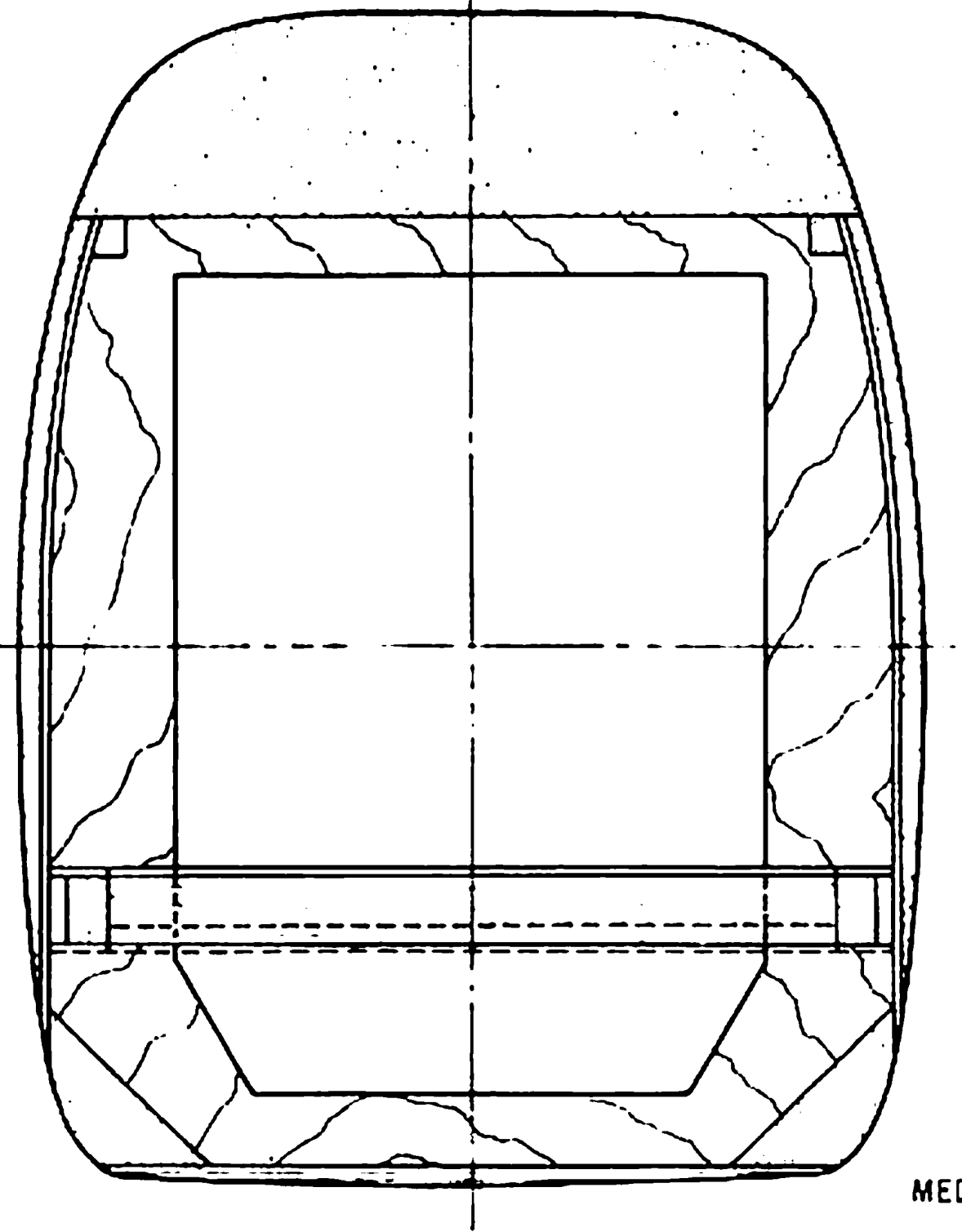
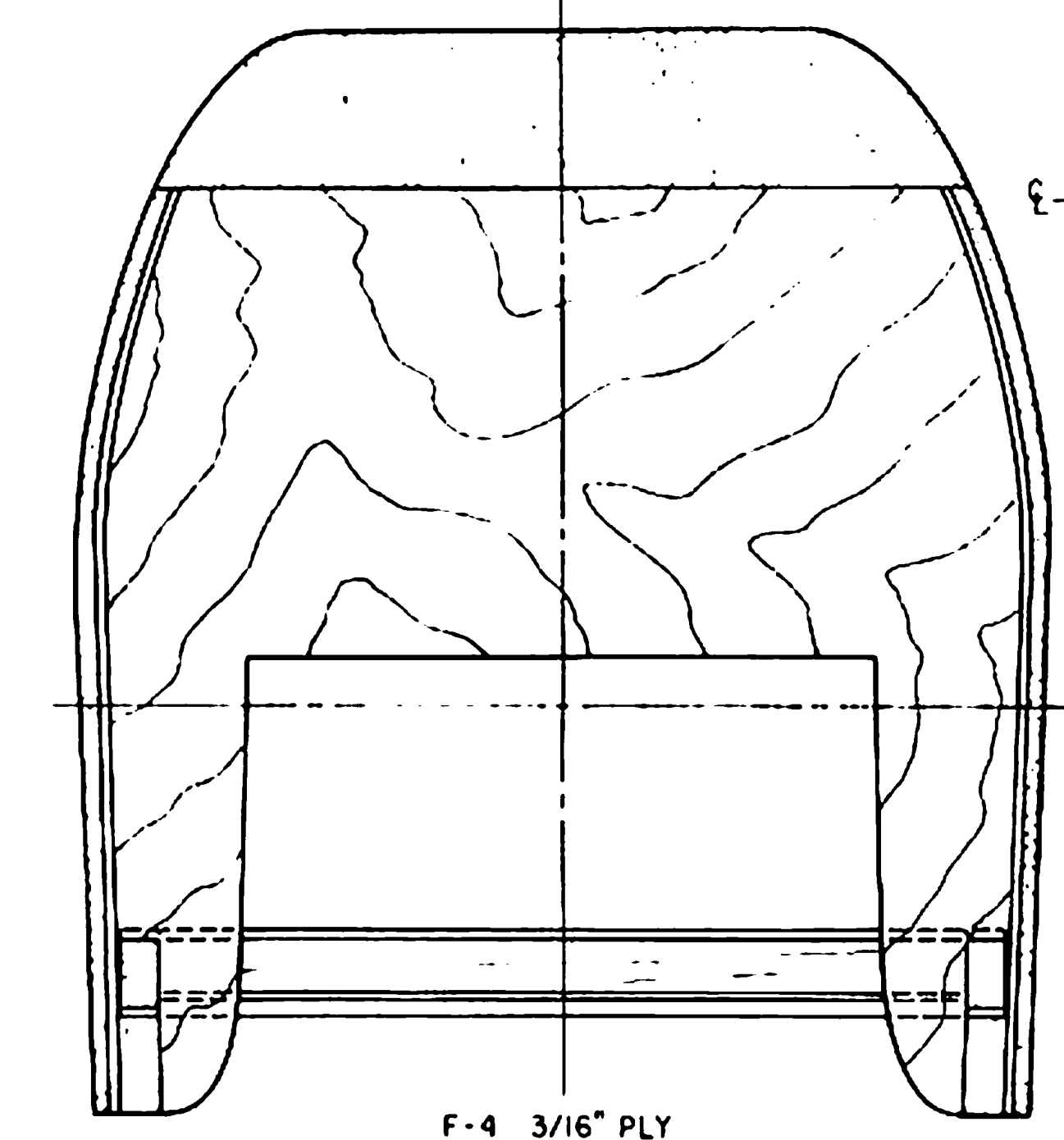
LEFT NACELLE
(RT. NACELLE IDENT.)



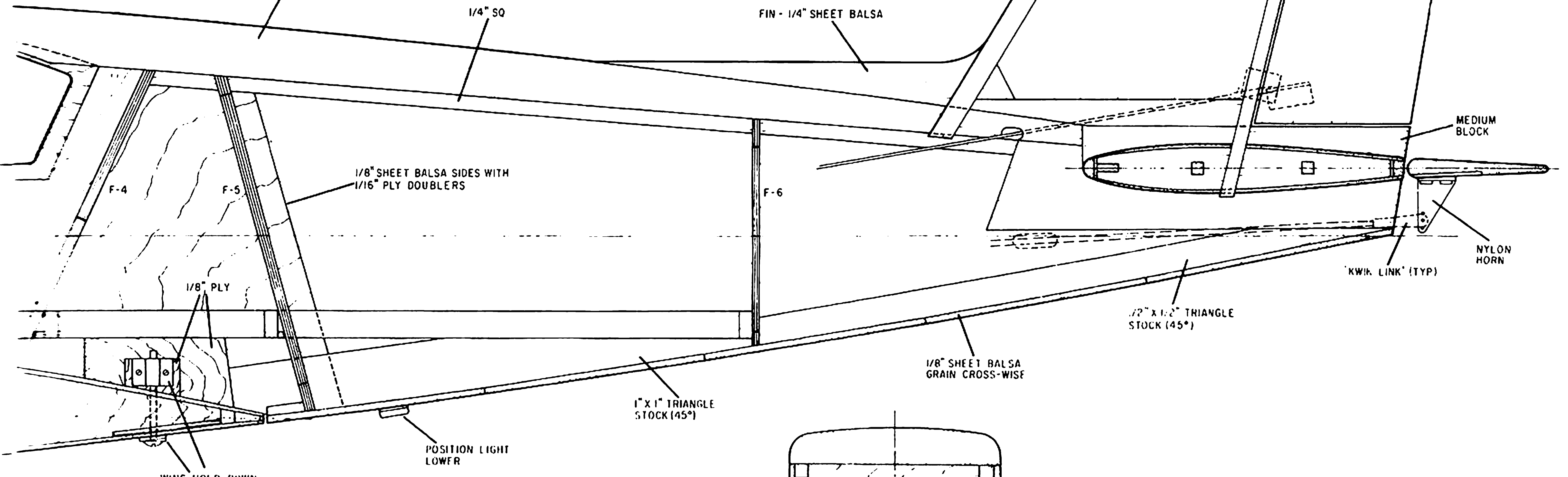
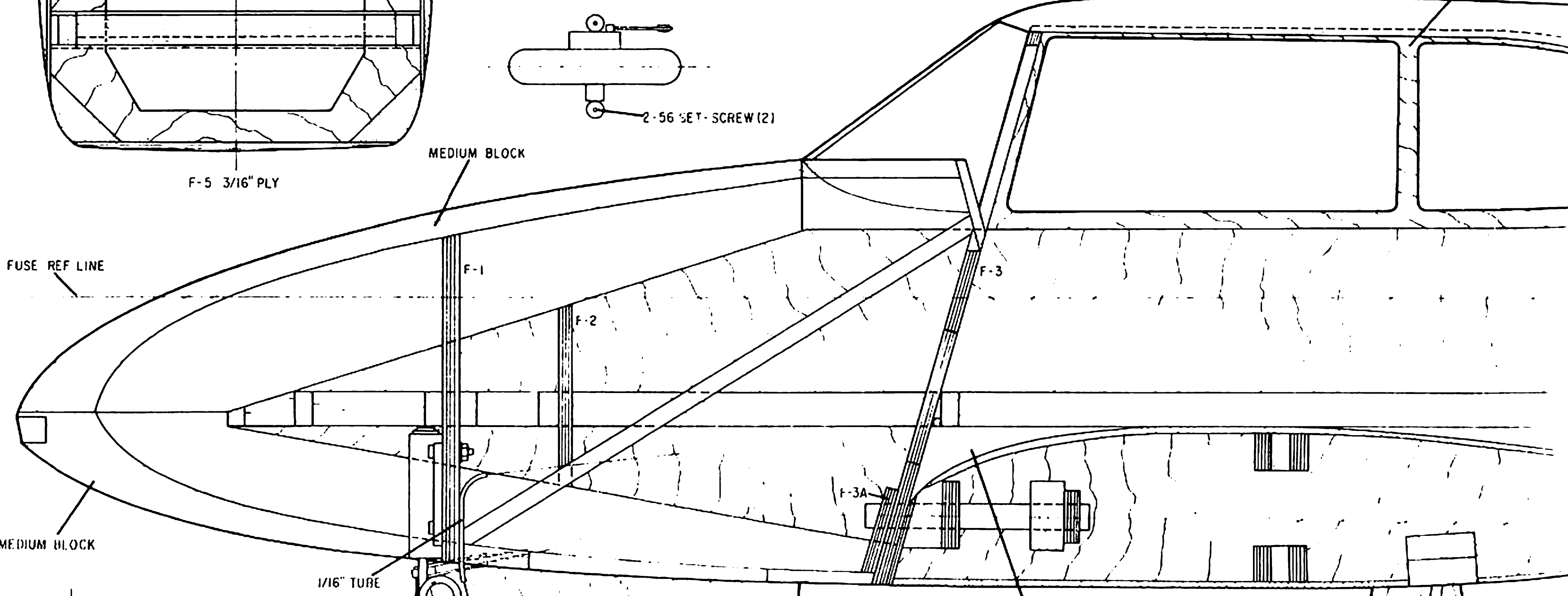
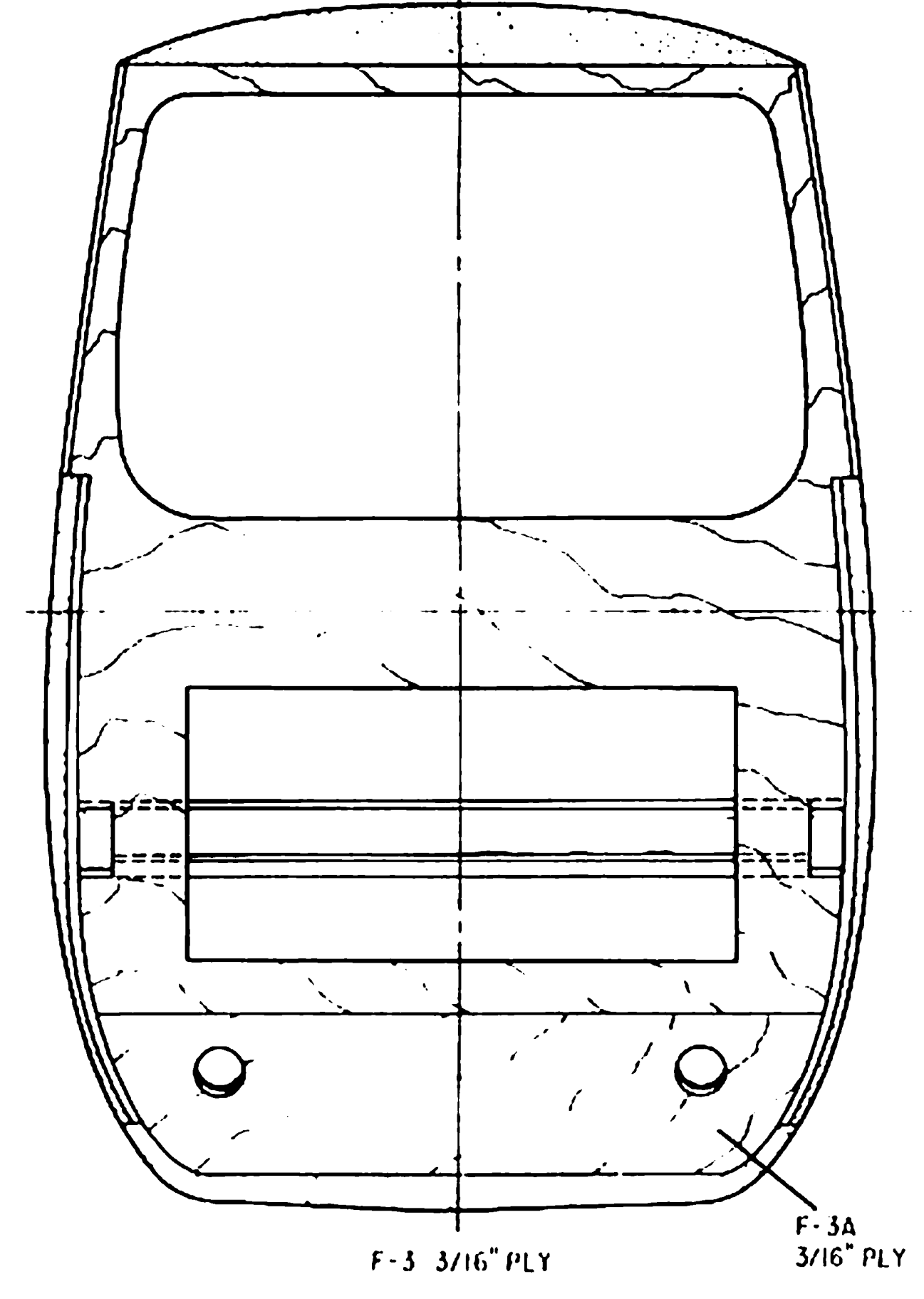
HORIZONTAL STAB



FUSE "CRUTCH"



POSITION LIGHT



INBOARD PROFILE

