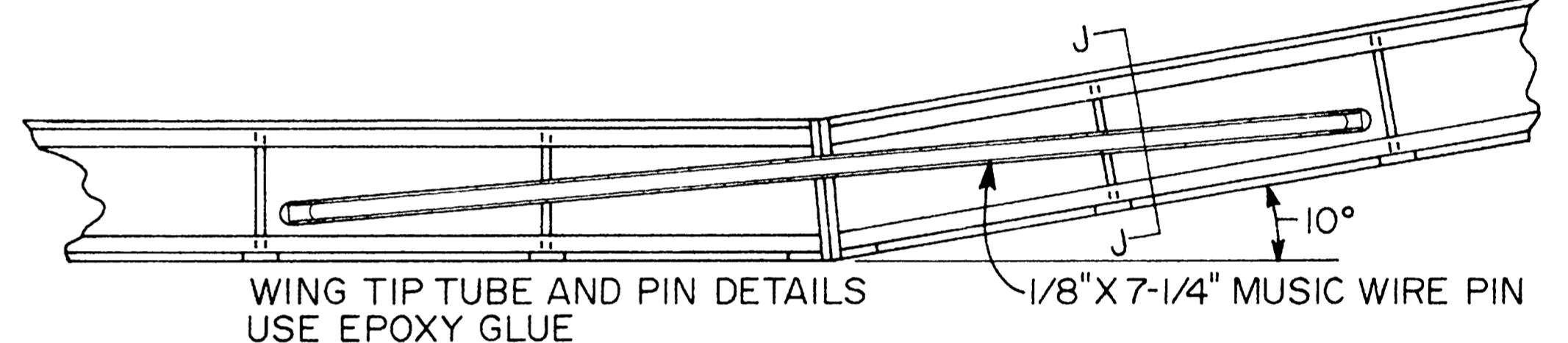
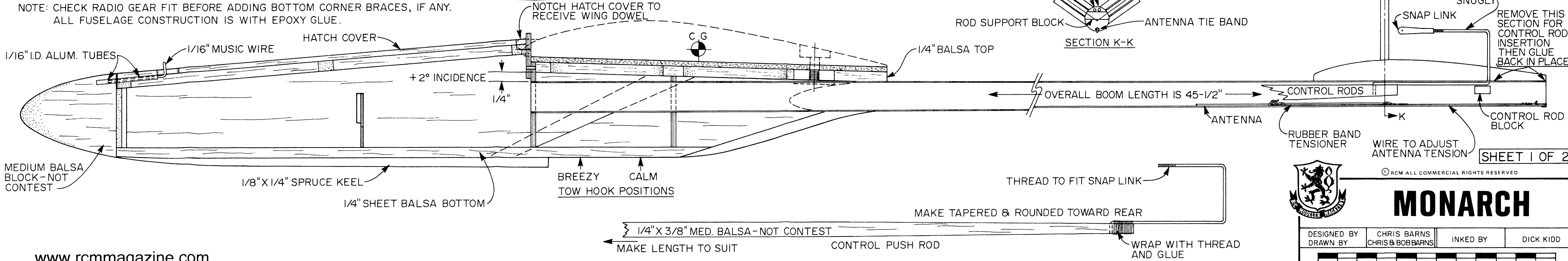
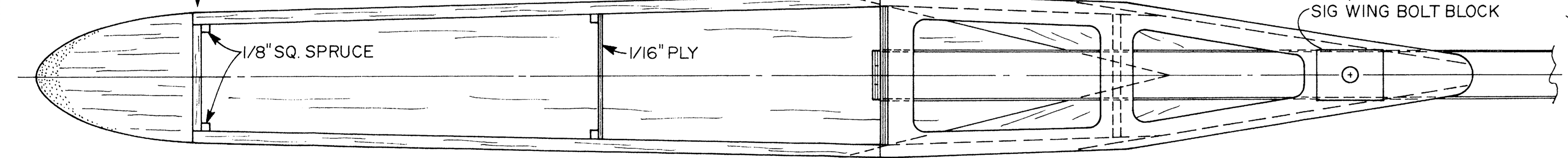
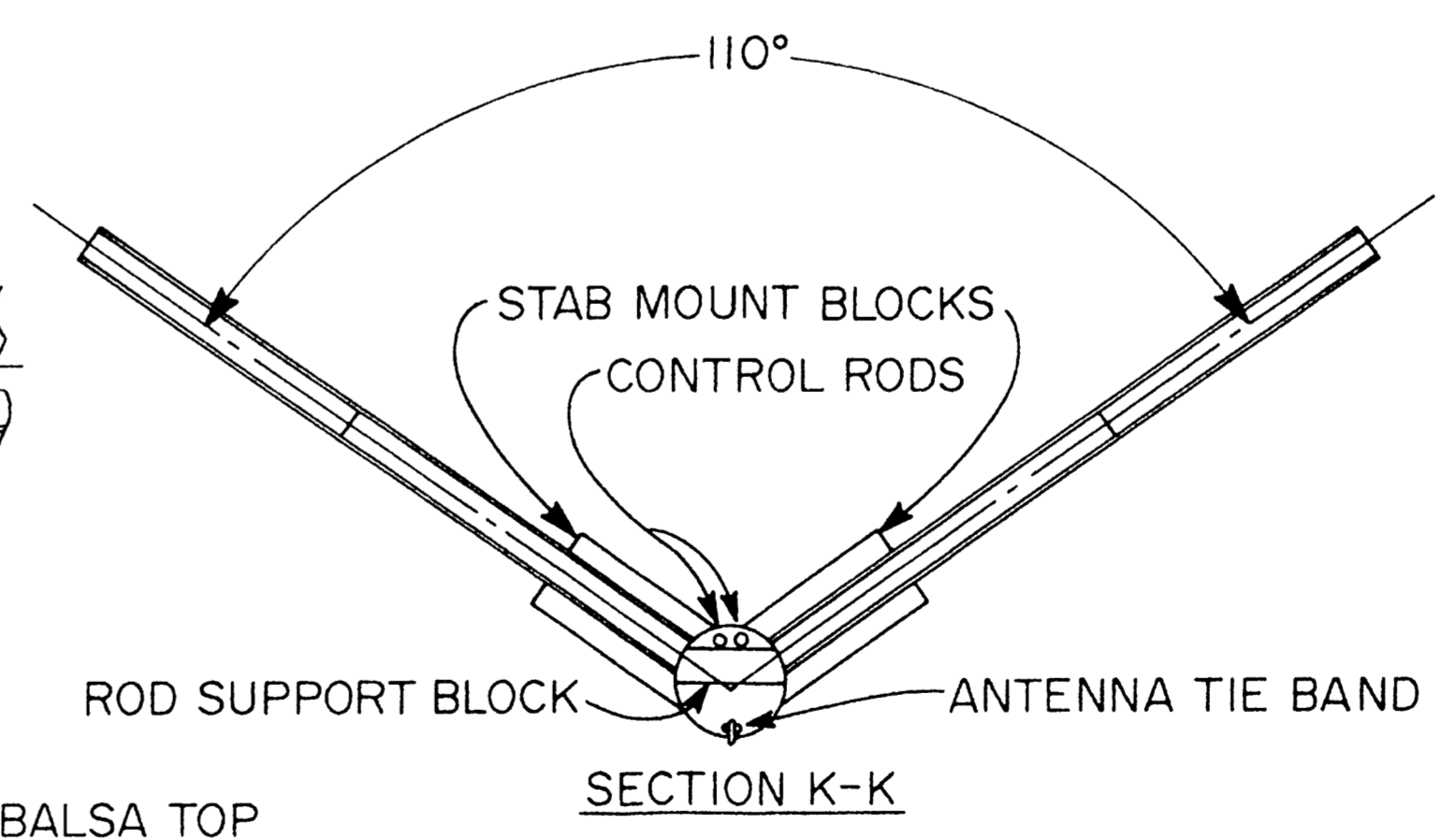
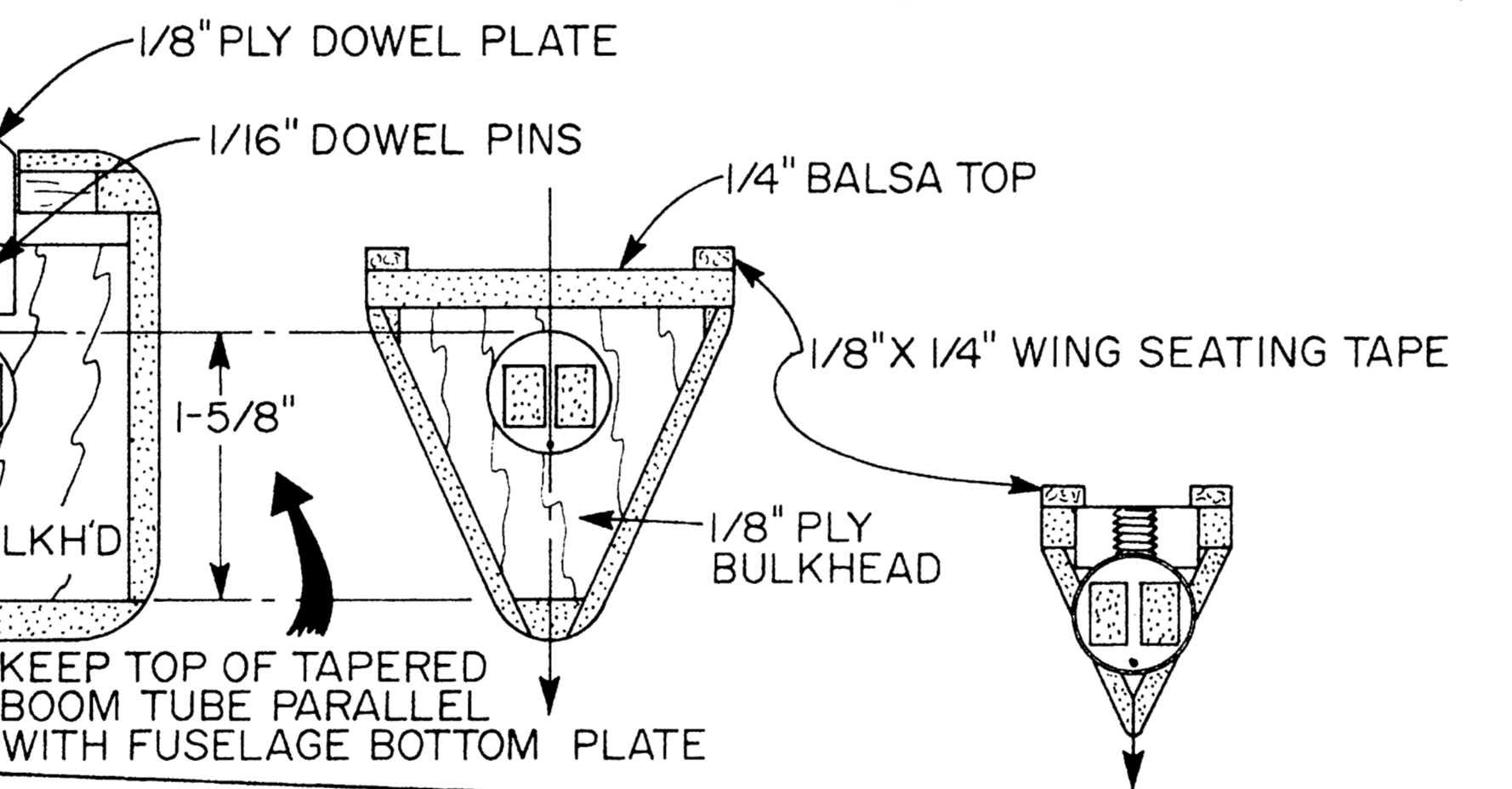
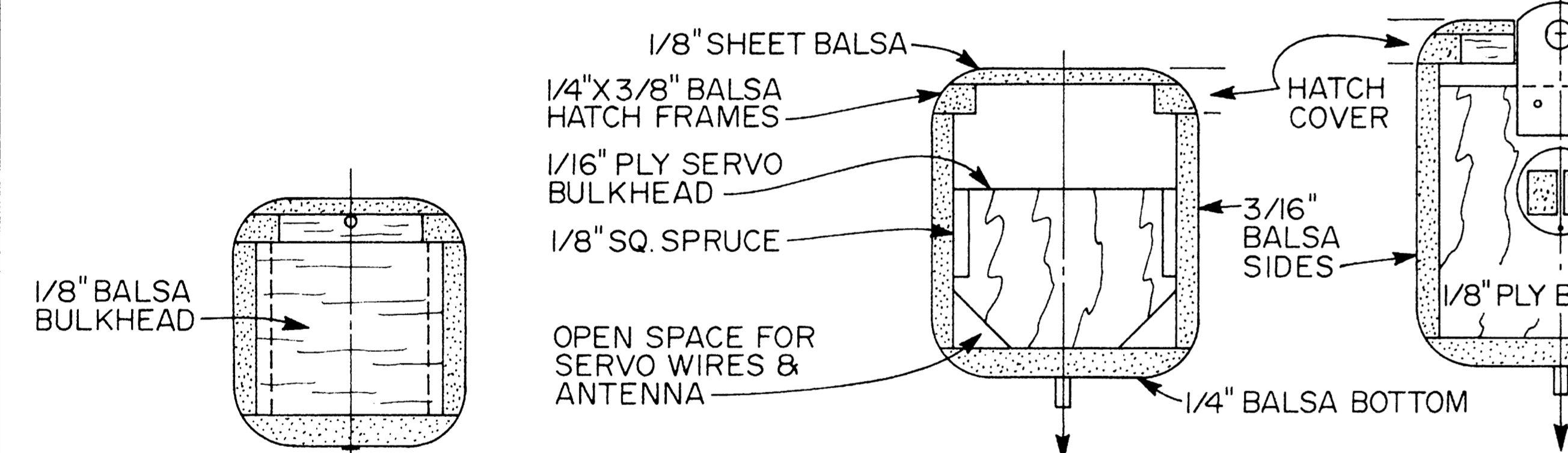
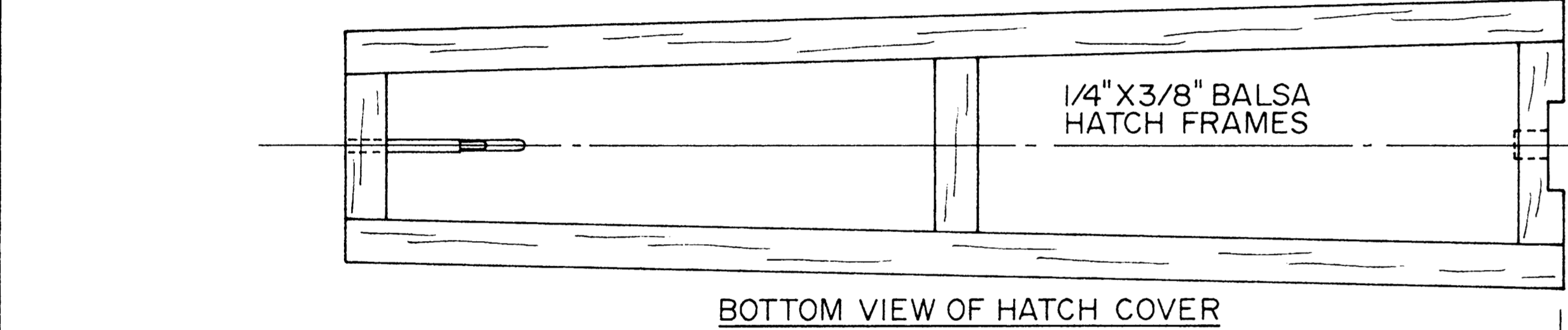
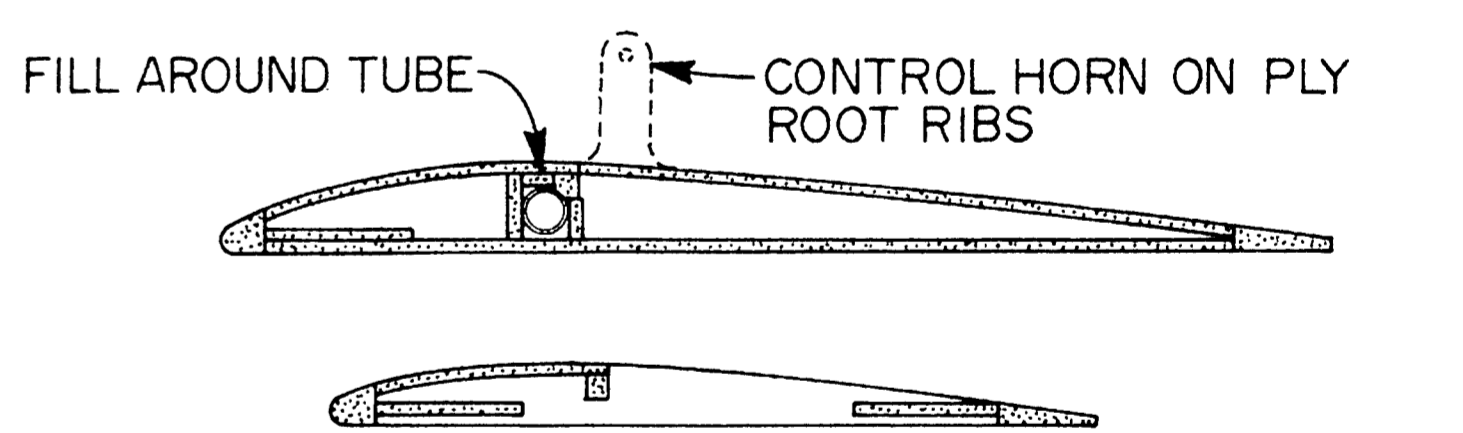
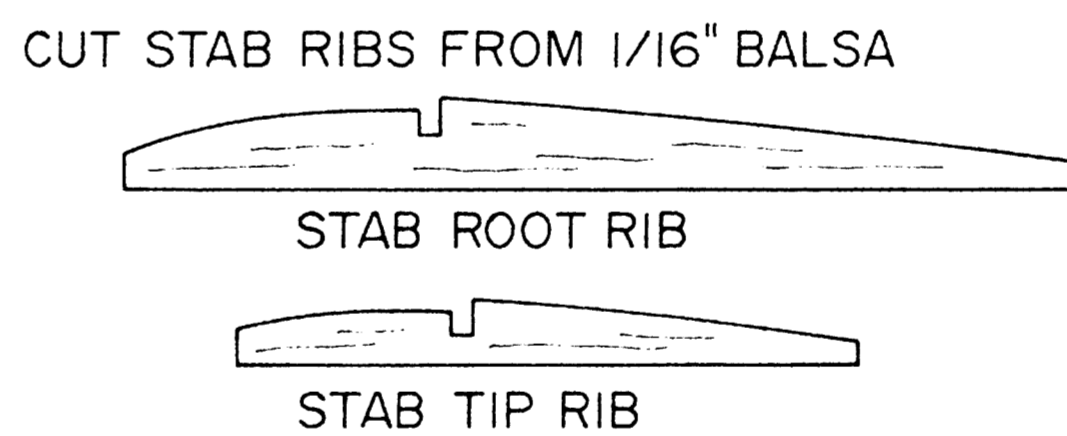
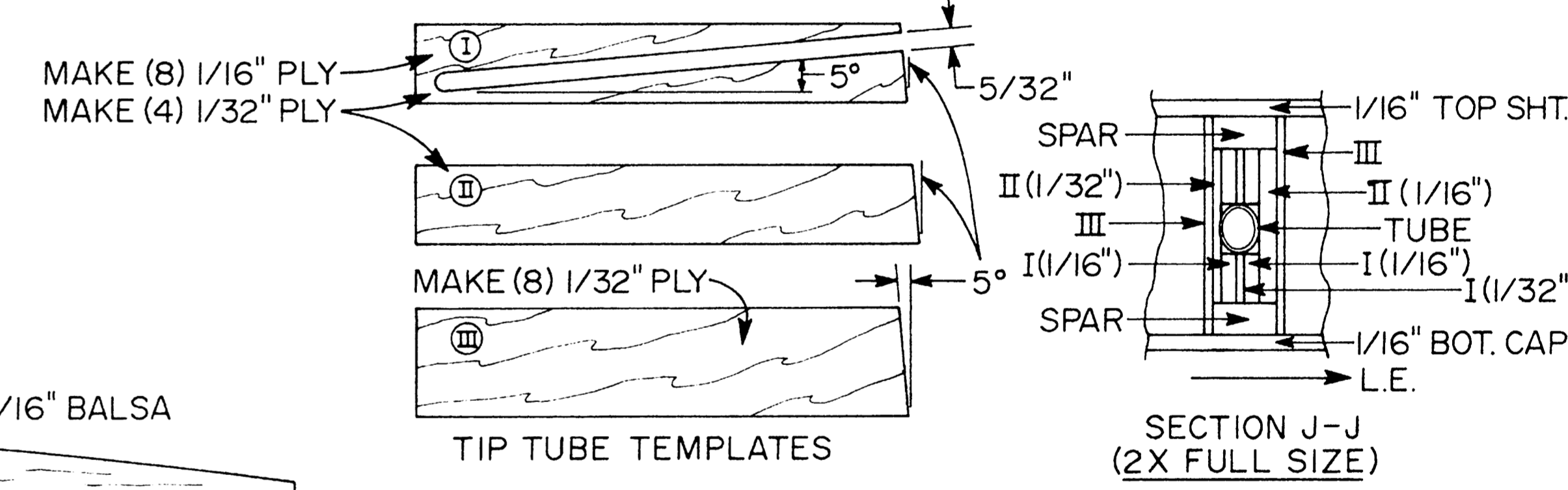


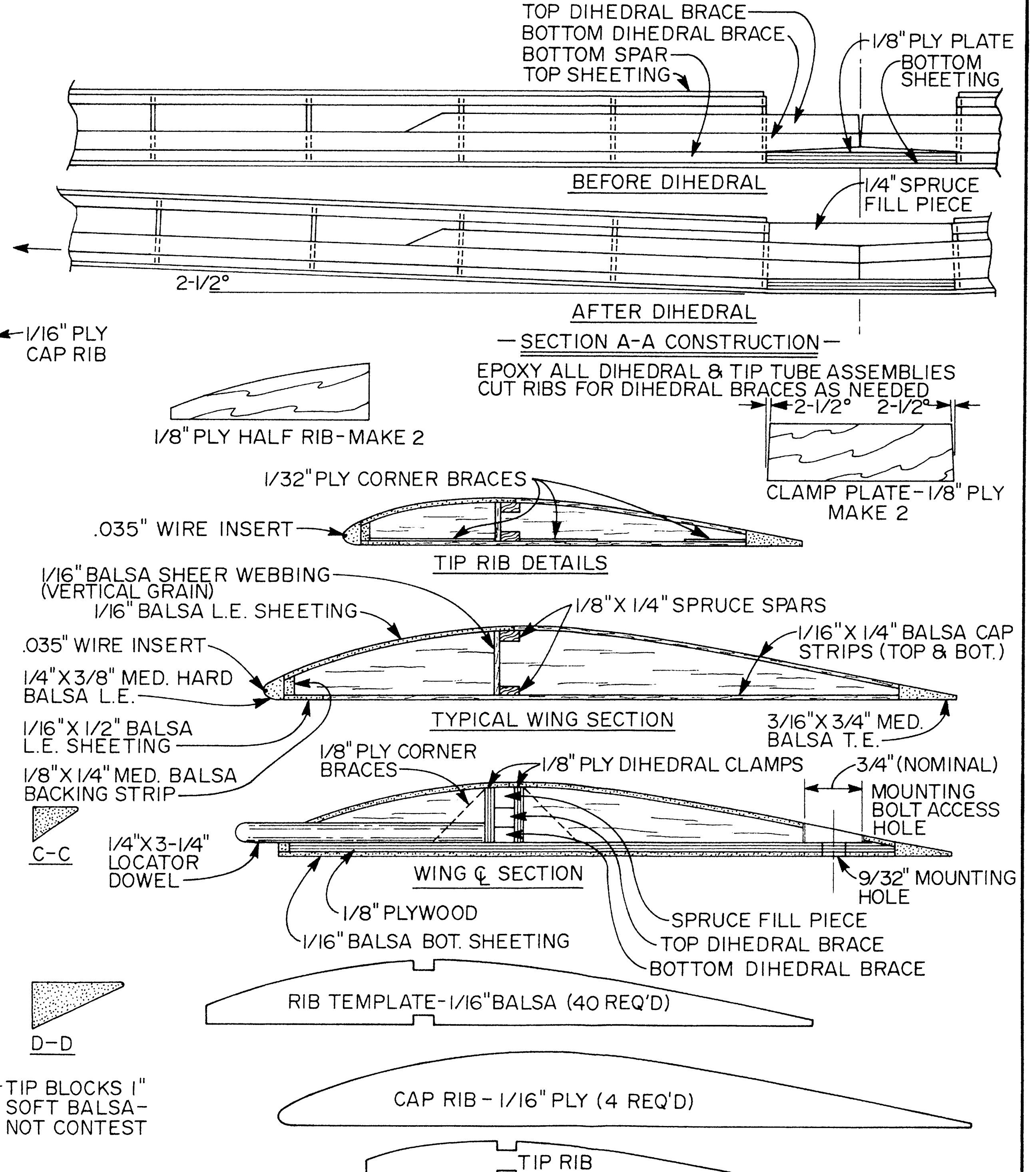
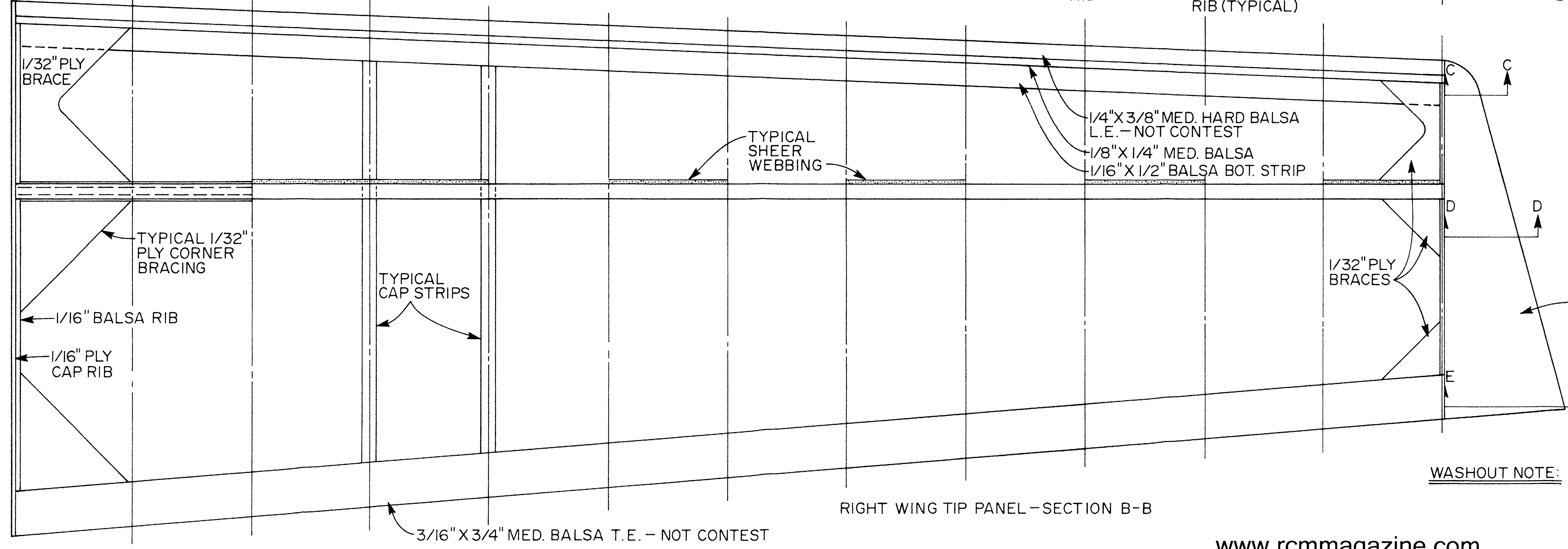
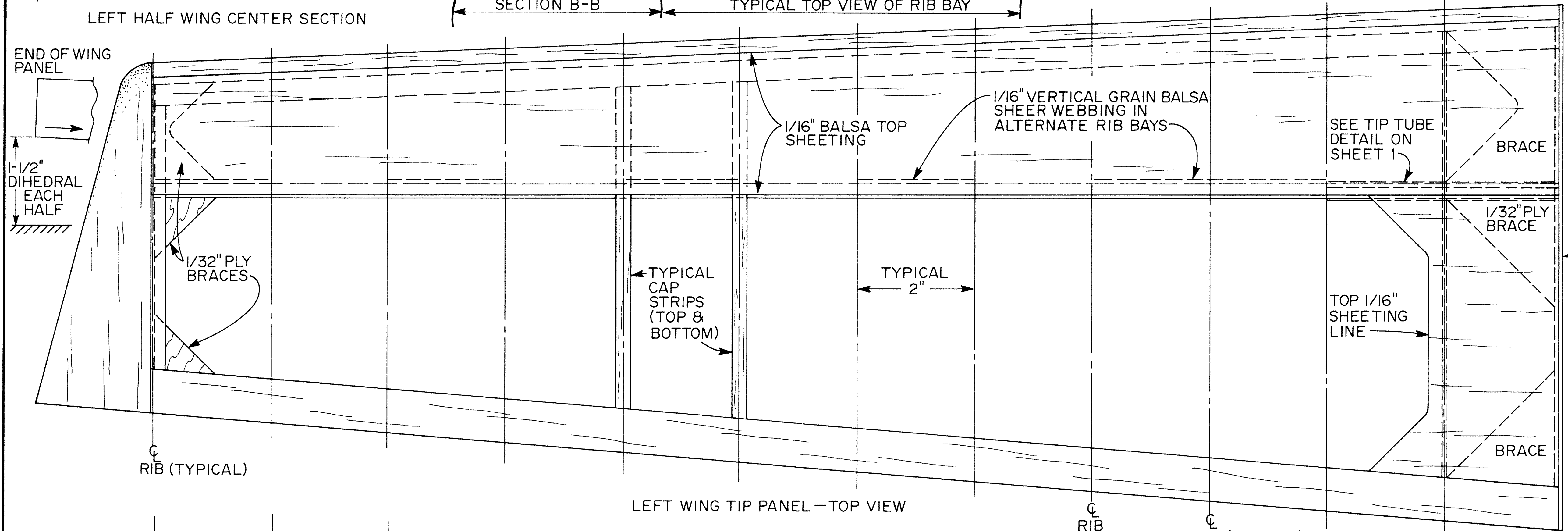
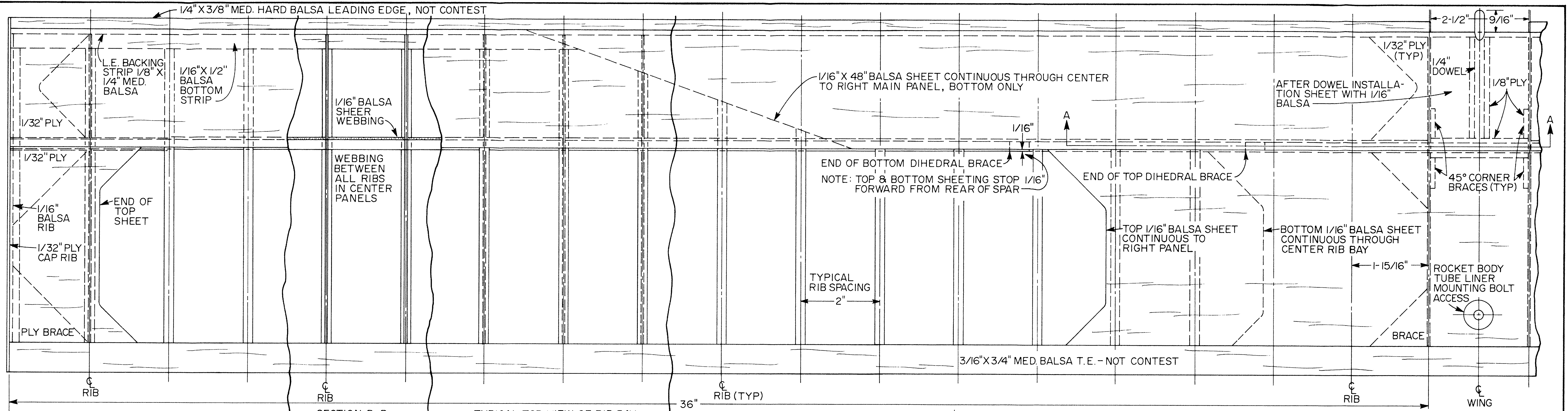
NOTE: CENTER RIB BAY OF WING REPEATED ON EACH PLAN SHEET FOR EASE IN REGISTERING BOTH HALVES OF WING CENTER SECTION

RIGHT HALF WING CENTER SECTION B-B



NOTE: ALL Balsa SHOULD BE SIG CONTEST GRADE EXCEPT WHERE NOTED. USE ALIPHATIC RESIN GLUE EXCEPT WHERE NOTED.

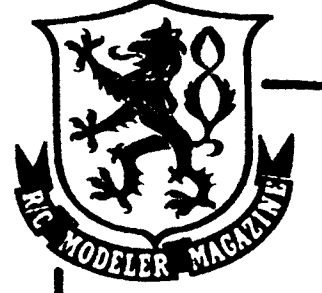




WASHOUT NOTE: MAIN PANELS: NO WASHOUT  
TIP PANELS: 1/4" WASHOUT UNDER TRAILING EDGE AT TIPS

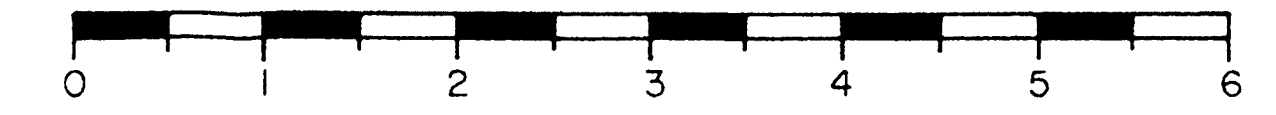
SHEET 2 OF 2

© RCM ALL COMMERCIAL RIGHTS RESERVED



# MONARCH

DESIGNED BY	CHRIS BARNES	INKED BY	DICK KIDD
DRAWN BY	CHRIS & BOB BARNES		



PLAN NO. 575