

1-1/2" RT. THRUST
3/8" Balsa NOSE BLOCK

K & B .61 ENGINE SHOWN

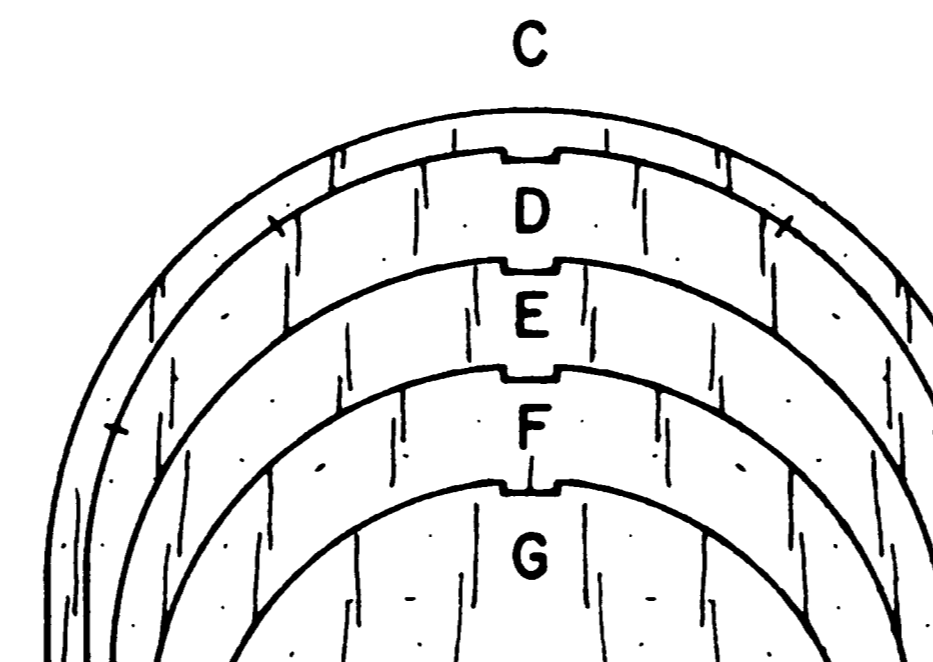
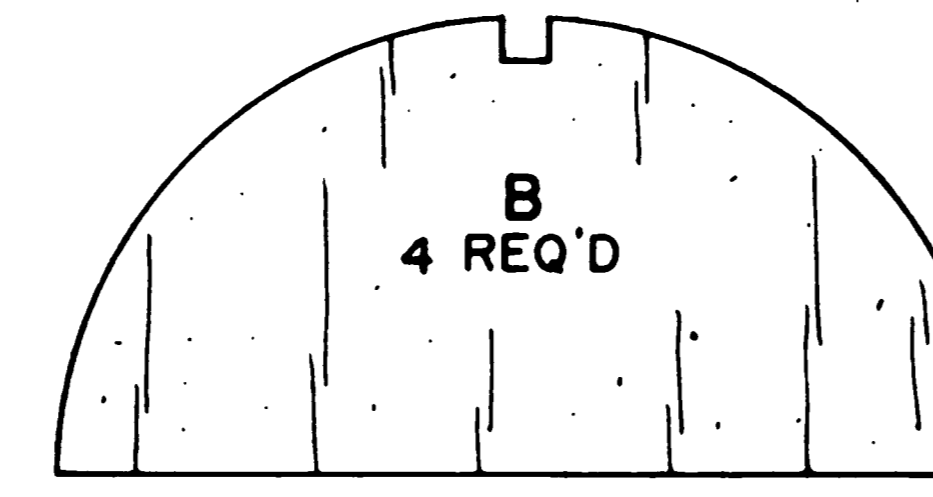
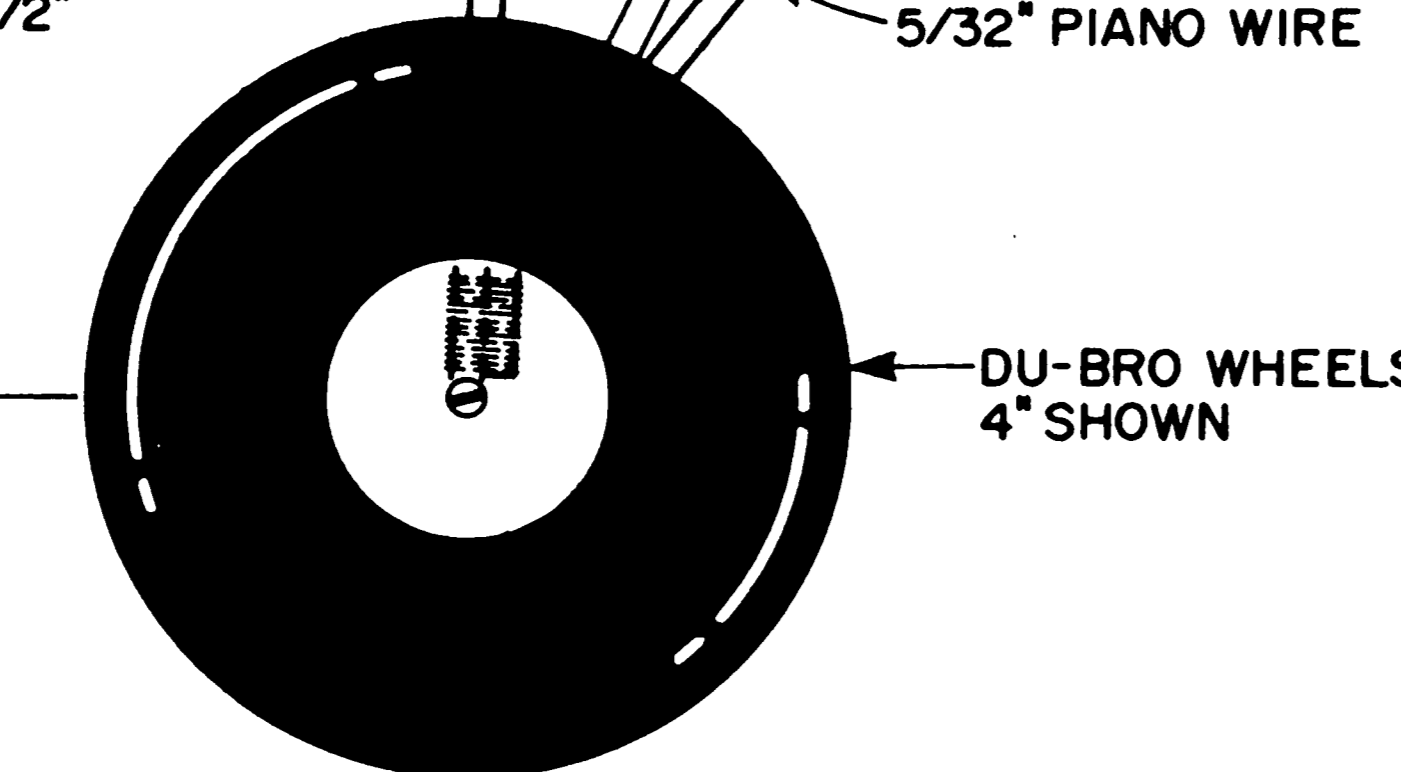
3" DOWN THRUST

BRIDI HOBBY MOUNT (60L)

'A' FIREWALL 1/4" PLY

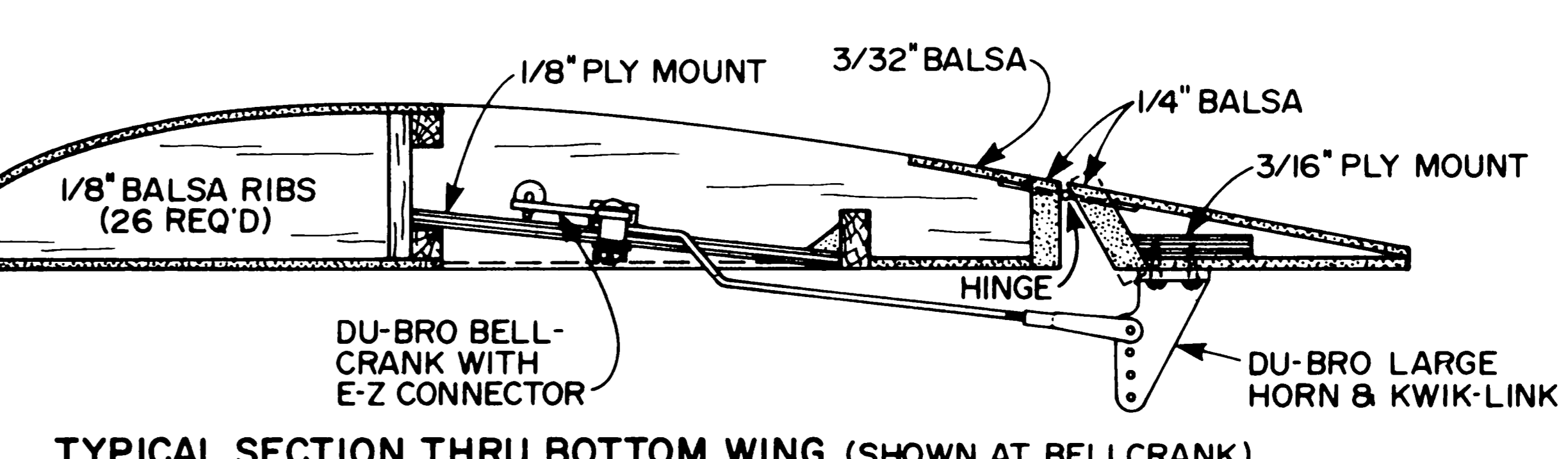
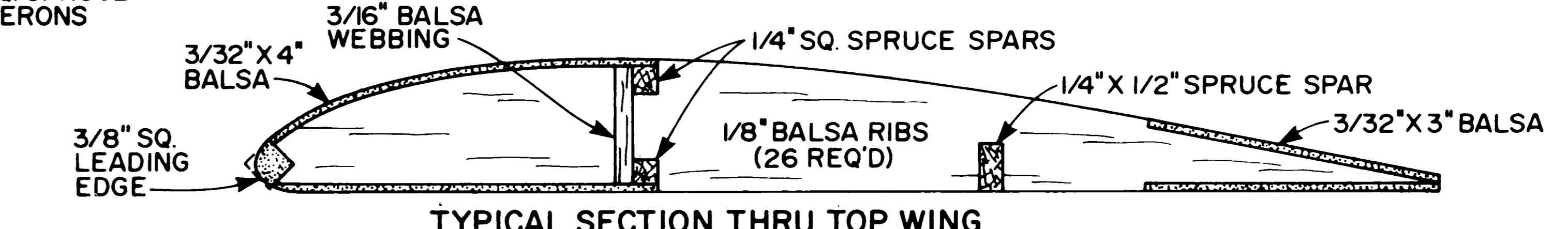
BEVEL

BEND IM WIDE GEAR IN VICE TO BRING IN TO 4-1/2" DEEP X 19-1/2" TREAD



NOTE: AFTER CABANE STRUT BRACES ARE INSTALLED FILL THIS AREA - 3/32" BOTTOM HATCH - SERVO OPERATED - TO CARRY PARACHUTE, BOMBS, ETC.

NOTE: ALL FORMERS CUT FROM 1/4" SHEET Balsa

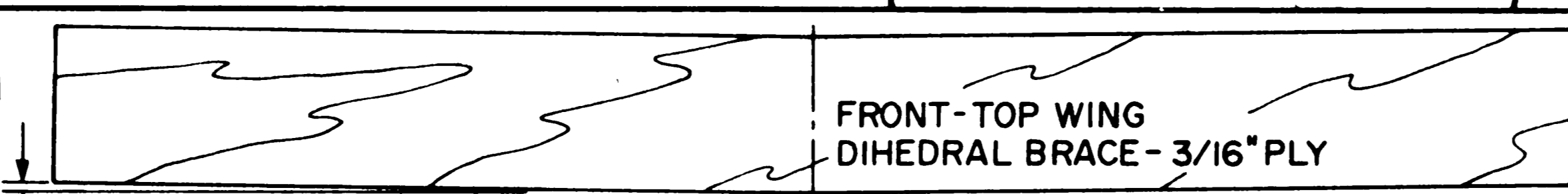
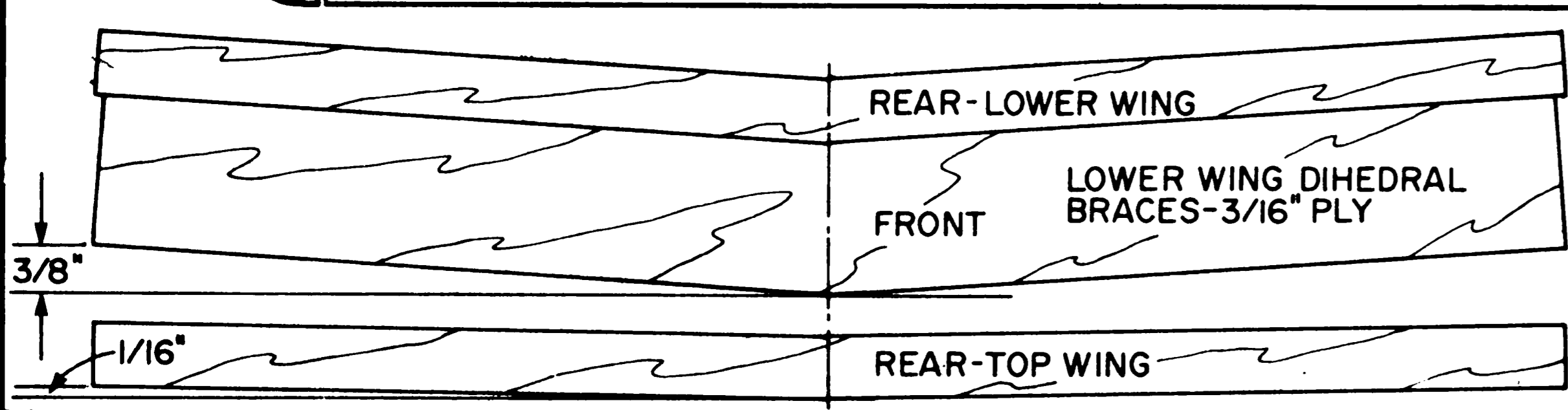
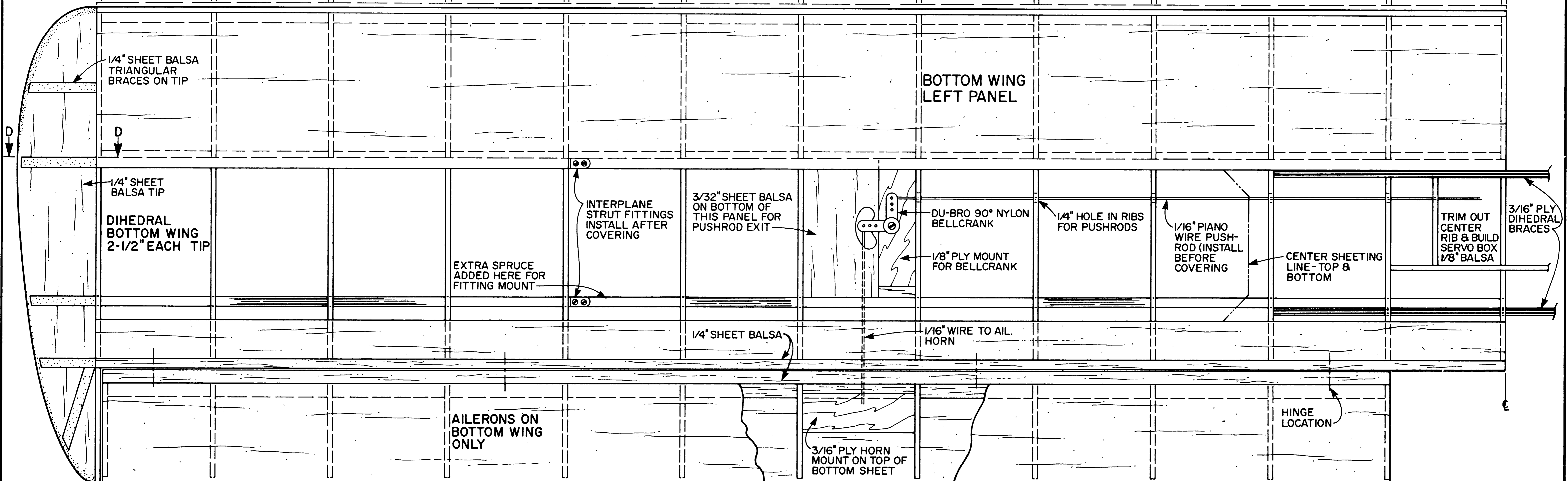
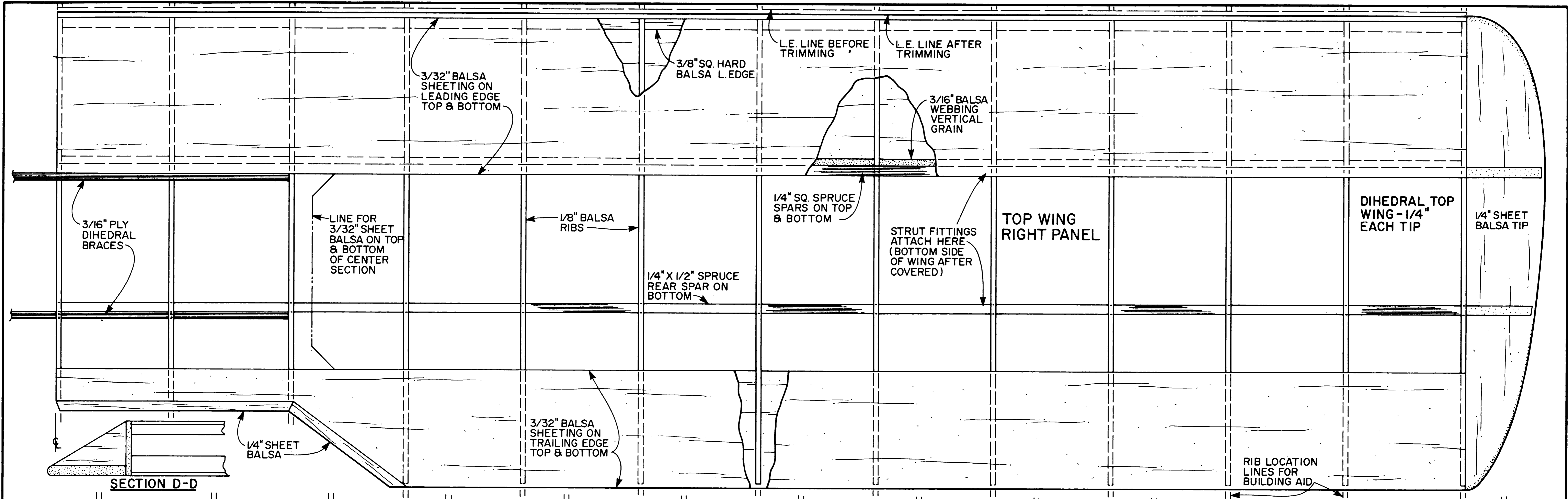


SHEET 1 OF 3
© RCM ALL COMMERCIAL RIGHTS RESERVED

LAZY ACE

DESIGNED & DRAWN BY C. CUNNINGHAM INKED BY DICK KIDD

PLAN NO. 706



BOTTOM RIB TEMPLATE ON SHEET 1

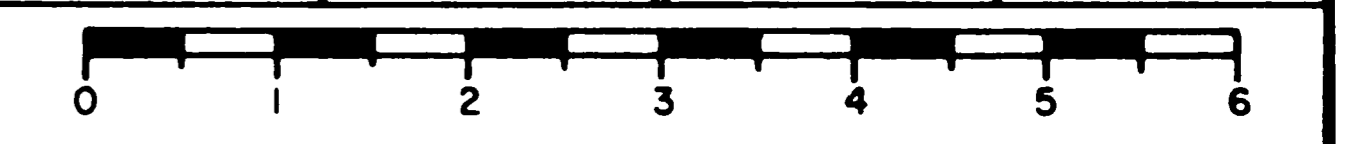
TOP WING RIB-20 REQ'D FULL OUTLINE
 CENTER RIB-6 REQ'D-CUT TO DOTTED LINE
 ALL RIBS ARE 1/8" Balsa

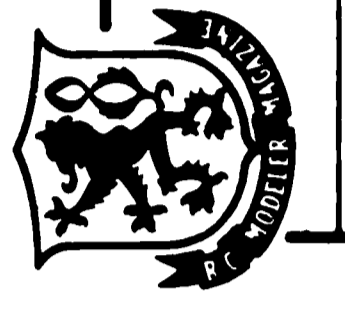
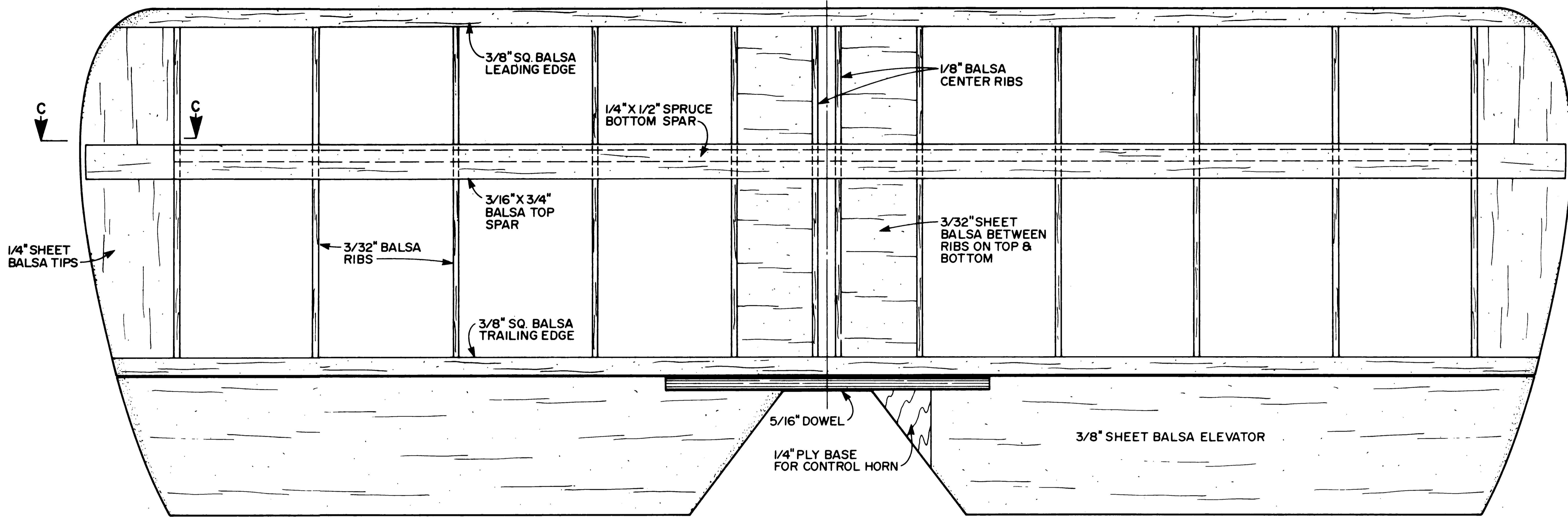


© RCM ALL COMMERCIAL RIGHTS RESERVED

LAZY ACE

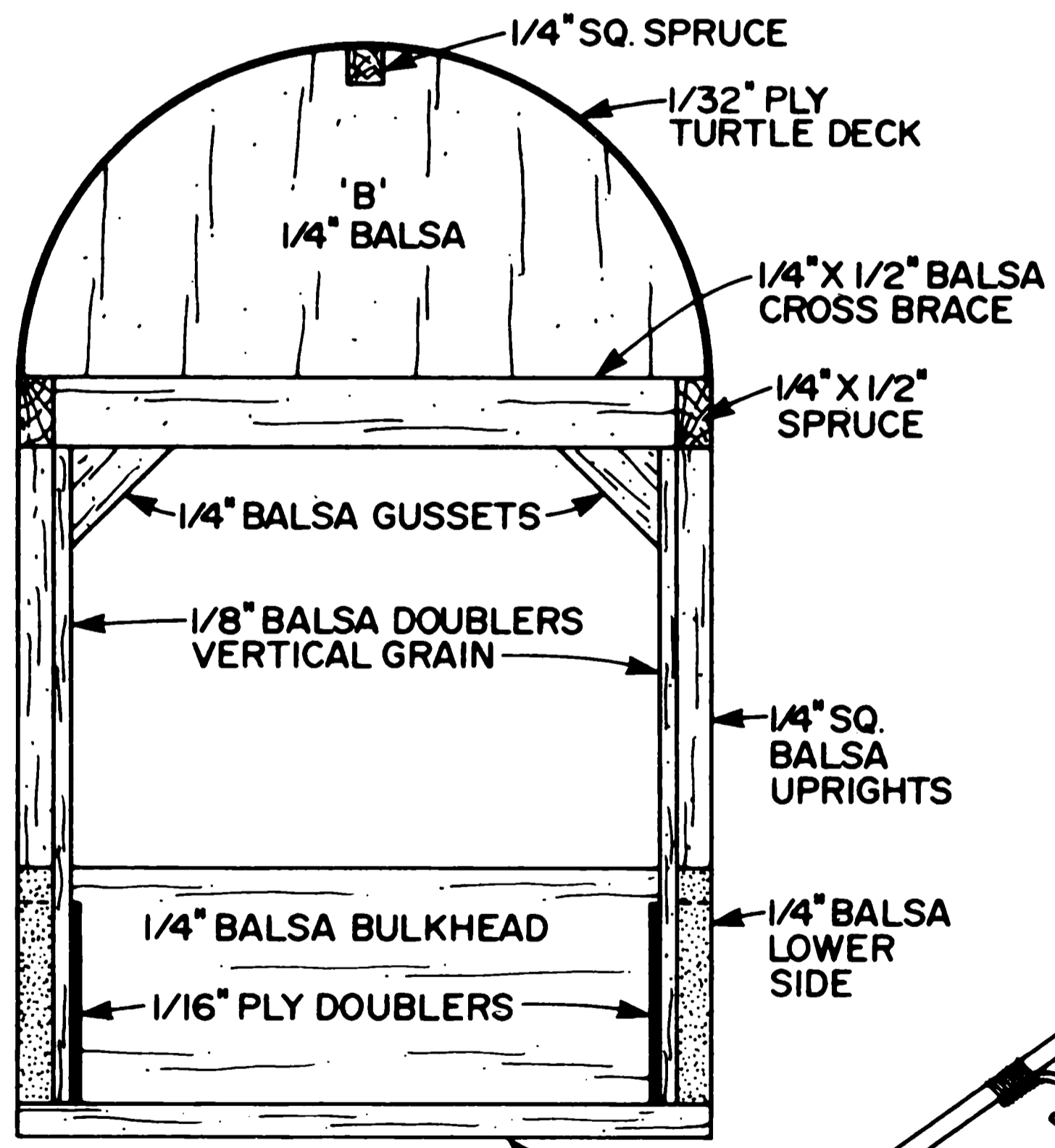
DESIGNED & DRAWN BY C. CUNNINGHAM INKED BY DICK KIDD



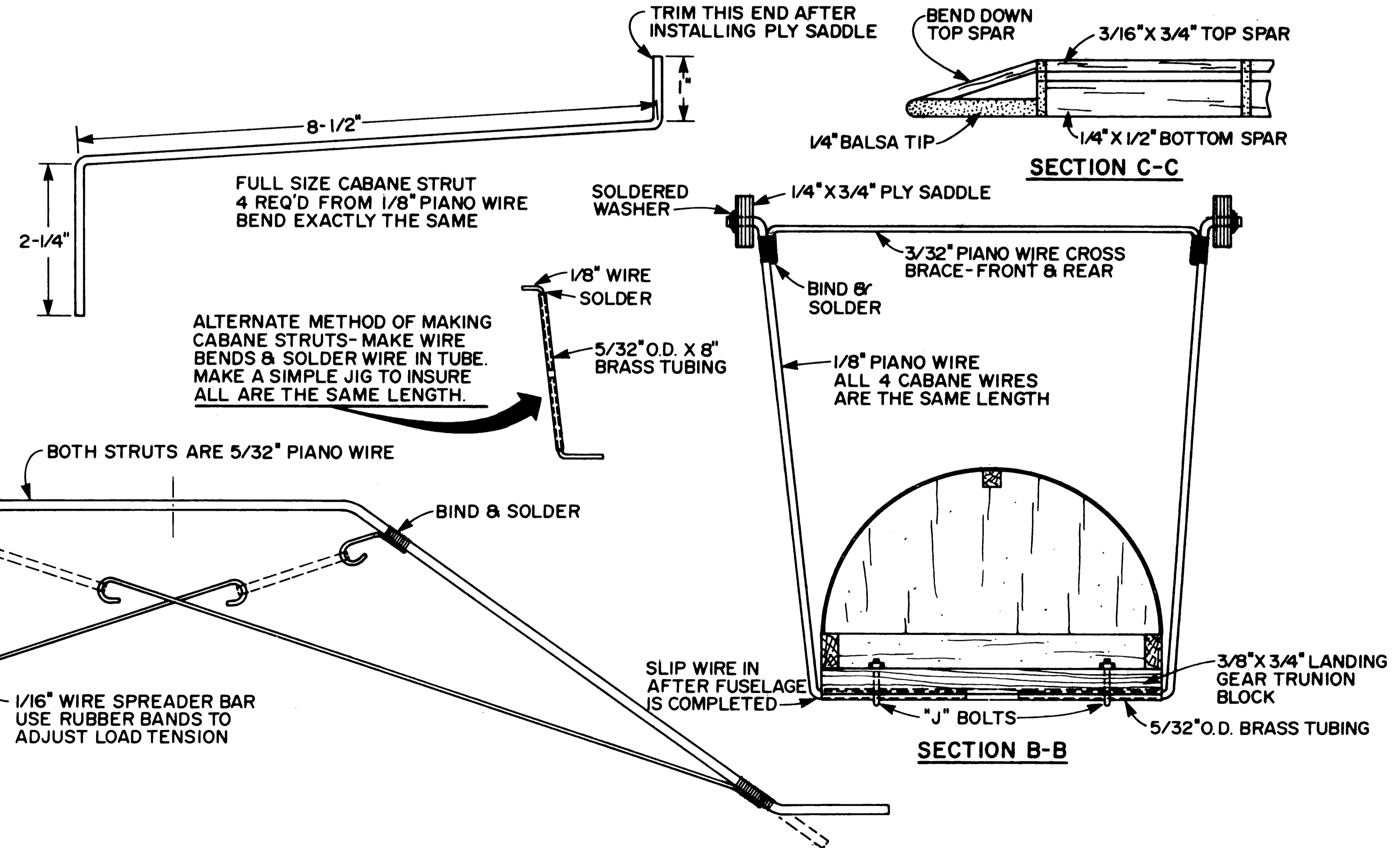


LAZY ACE

DESIGNED & DRAWN BY C. CUNNINGHAM INKED BY DICK KIDD



SECTION A-A



SECTION B-B

SECTION C-C

ALTERNATE METHOD OF MAKING CABANE STRUTS- MAKE WIRE BENDS & SOLDER WIRE IN TUBE. MAKE A SIMPLE JIG TO INSURE ALL ARE THE SAME LENGTH.

CUT AXLE LENGTH TO SUIT WHEELS USED

1/16" WIRE SPREADER BAR USE RUBBER BANDS TO ADJUST LOAD TENSION

SLIP WIRE IN AFTER FUSELAGE IS COMPLETED

3/8" X 3/4" LANDING GEAR TRUNION BLOCK

"J" BOLTS

5/32" O.D. BRASS TUBING

SOLDERED WASHER

1/4" X 3/4" PLY SADDLE

3/32" PIANO WIRE CROSS BRACE - FRONT & REAR

1/8" PIANO WIRE ALL 4 CABANE WIRES ARE THE SAME LENGTH

BIND & SOLDER

BIND & SOLDER

BOTH STRUTS ARE 5/32" PIANO WIRE

FULL SIZE CABANE STRUT 4 REQ'D FROM 1/8" PIANO WIRE BEND EXACTLY THE SAME

2-1/4"

8-1/2"

TRIM THIS END AFTER INSTALLING PLY SADDLE

BEND DOWN TOP SPAR

3/16" X 3/4" TOP SPAR

1/4" X 1/2" BOTTOM SPAR

1/4" BALSAs TIP

3/8" SHEET BALSAs ELEVATOR

5/16" DOWEL

1/4" PLY BASE FOR CONTROL HORN

3/8" SQ. BALSAs TRAILING EDGE

3/16" X 3/4" BALSAs TOP SPAR

1/4" X 1/2" SPRUCE BOTTOM SPAR

1/8" BALSAs CENTER RIBS

3/32" BALSAs RIBS

1/4" SHEET BALSAs TIPS

C

C