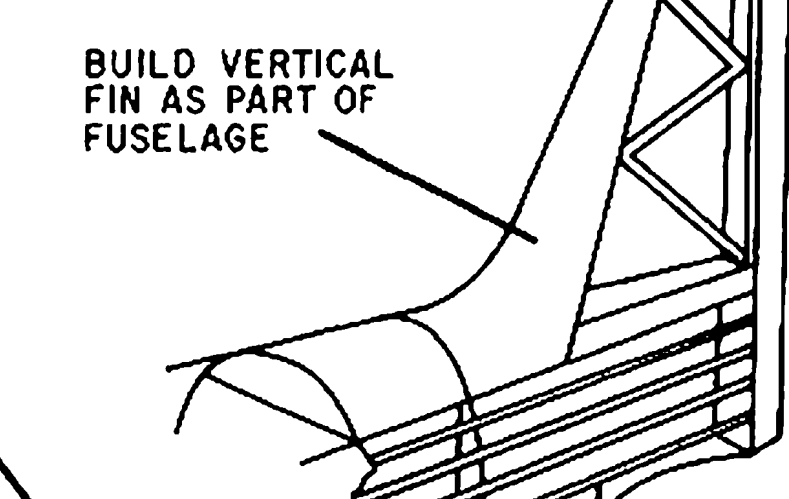
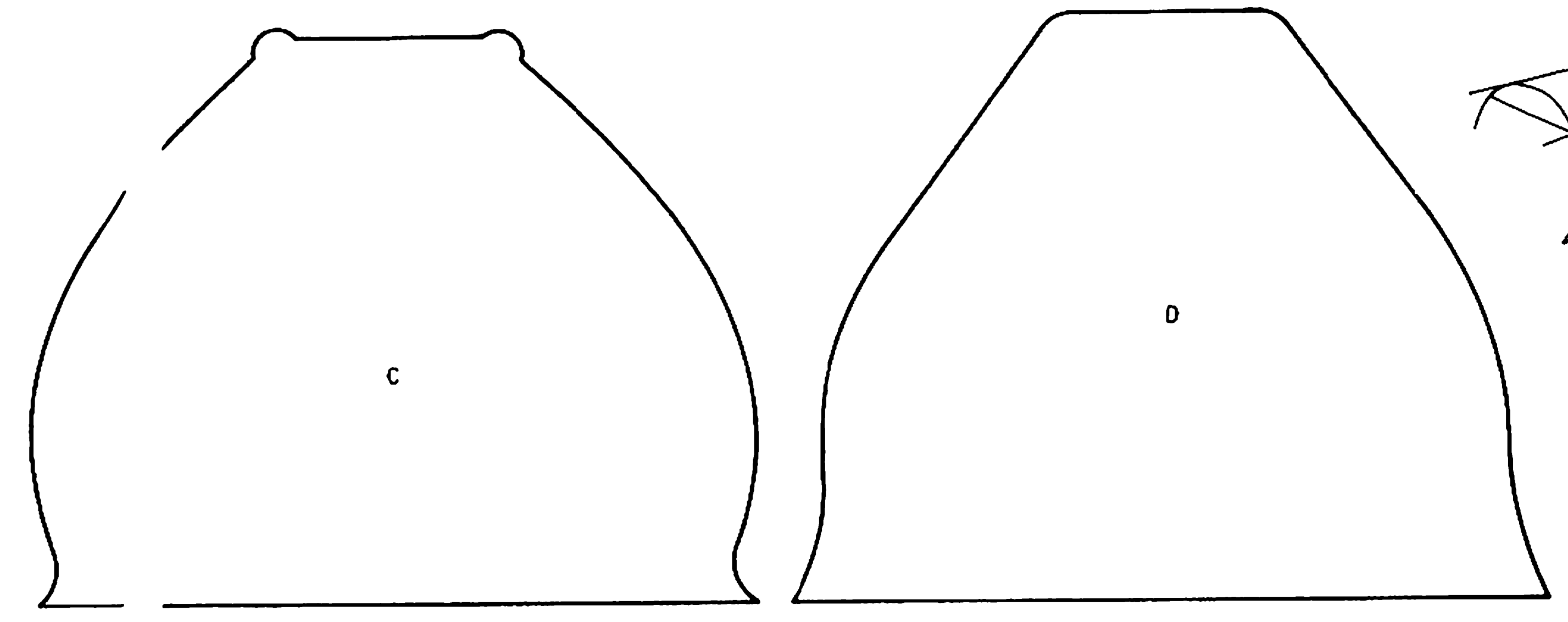
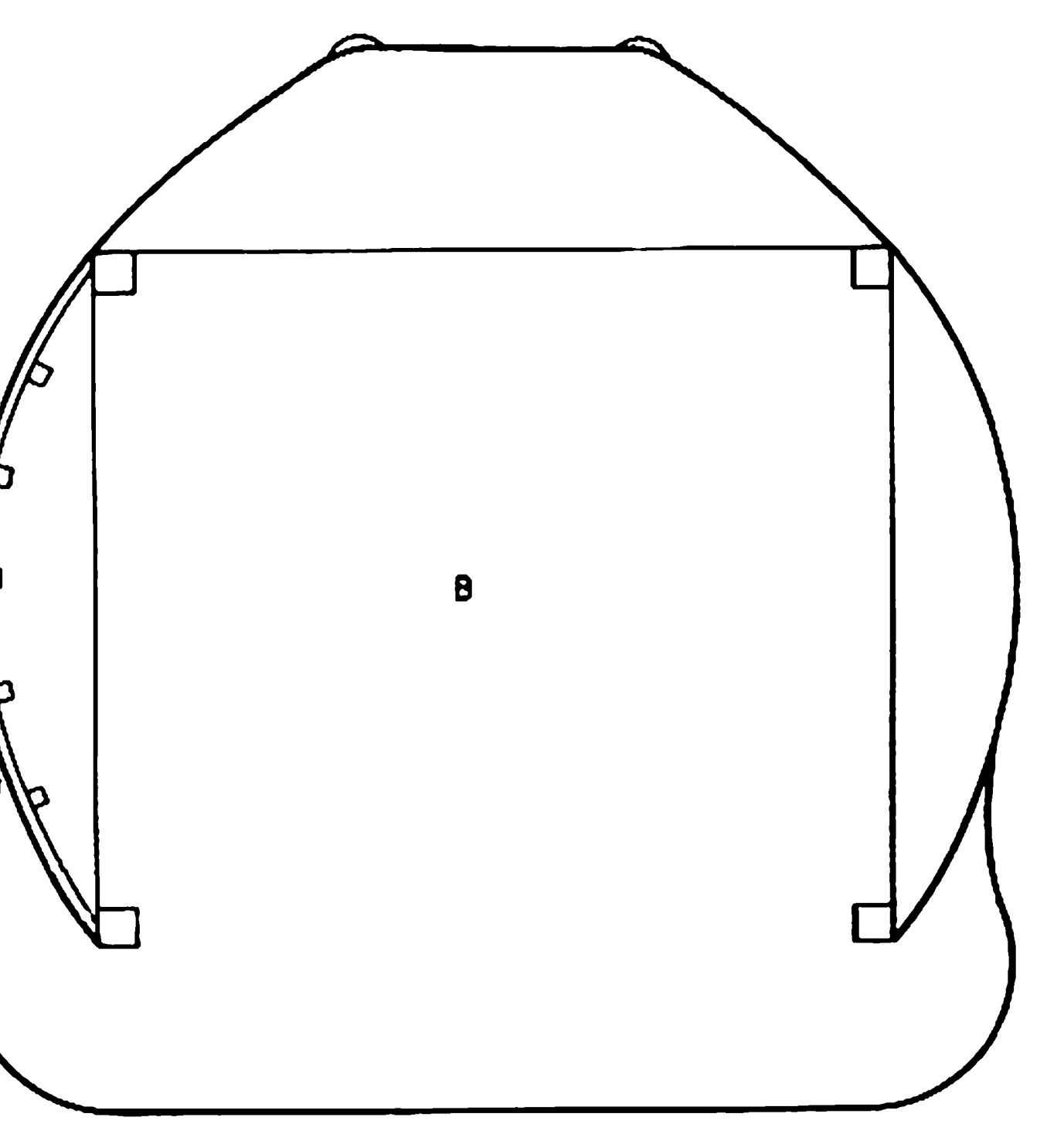
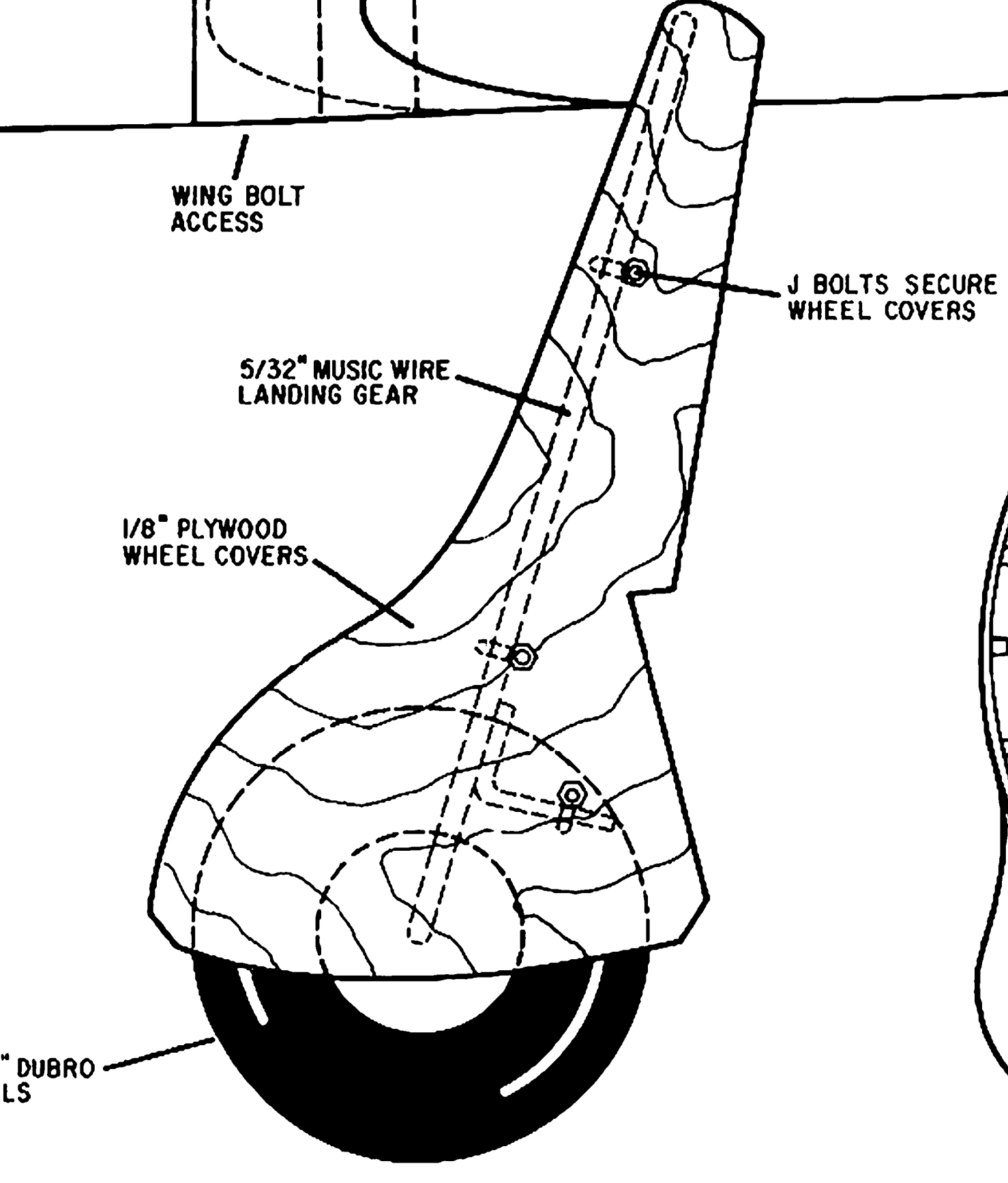
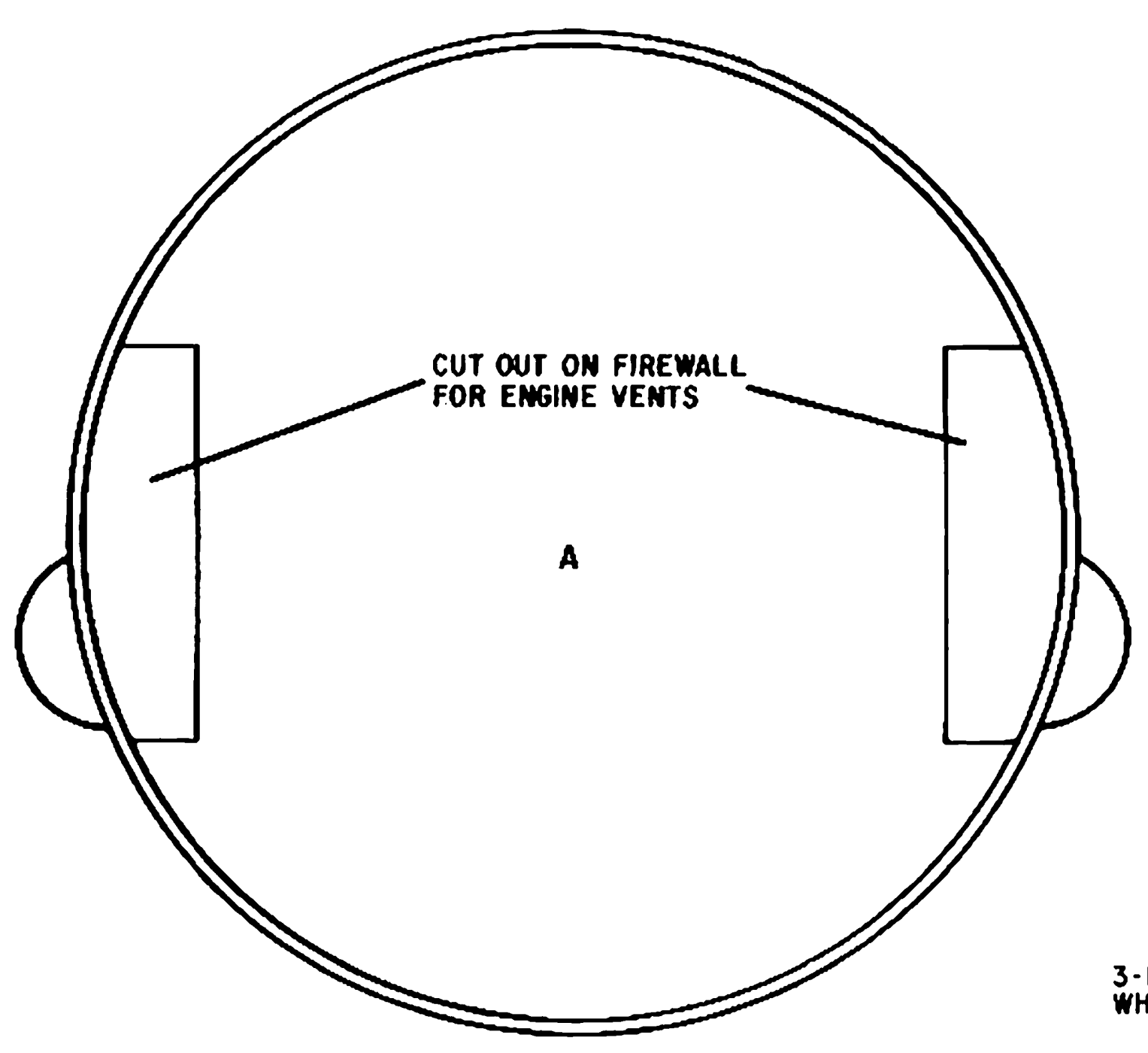
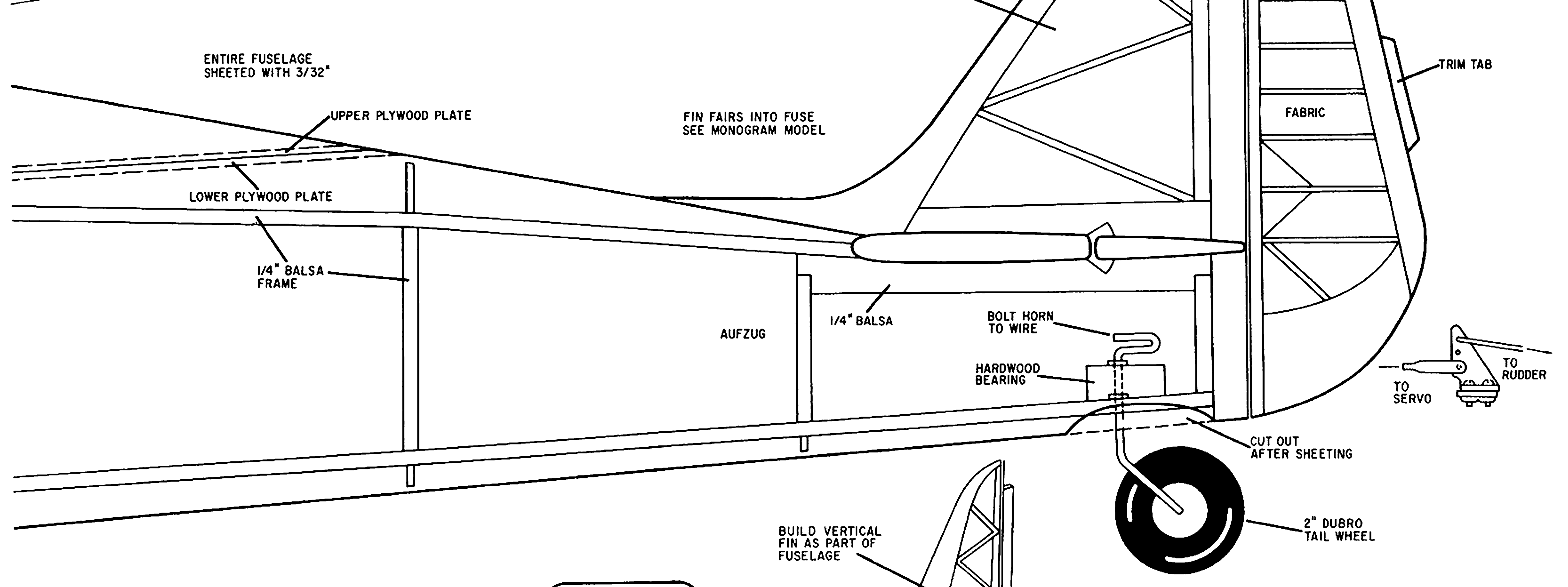
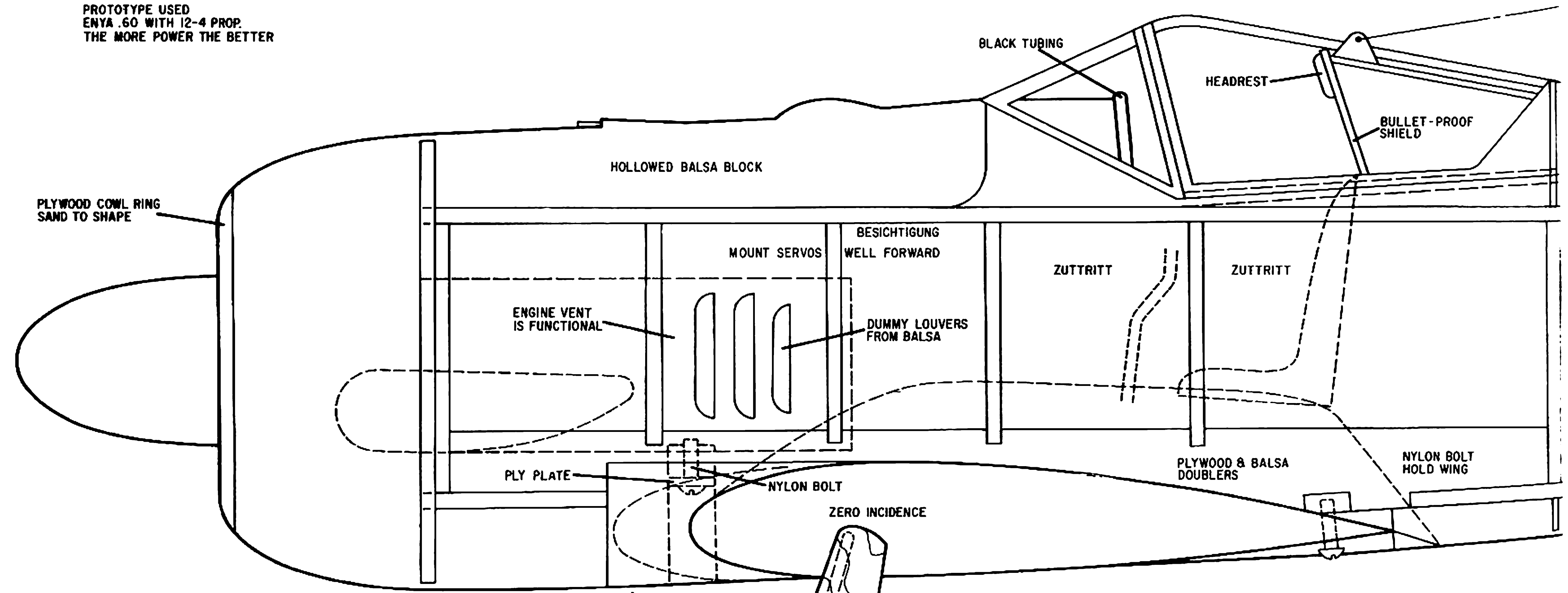
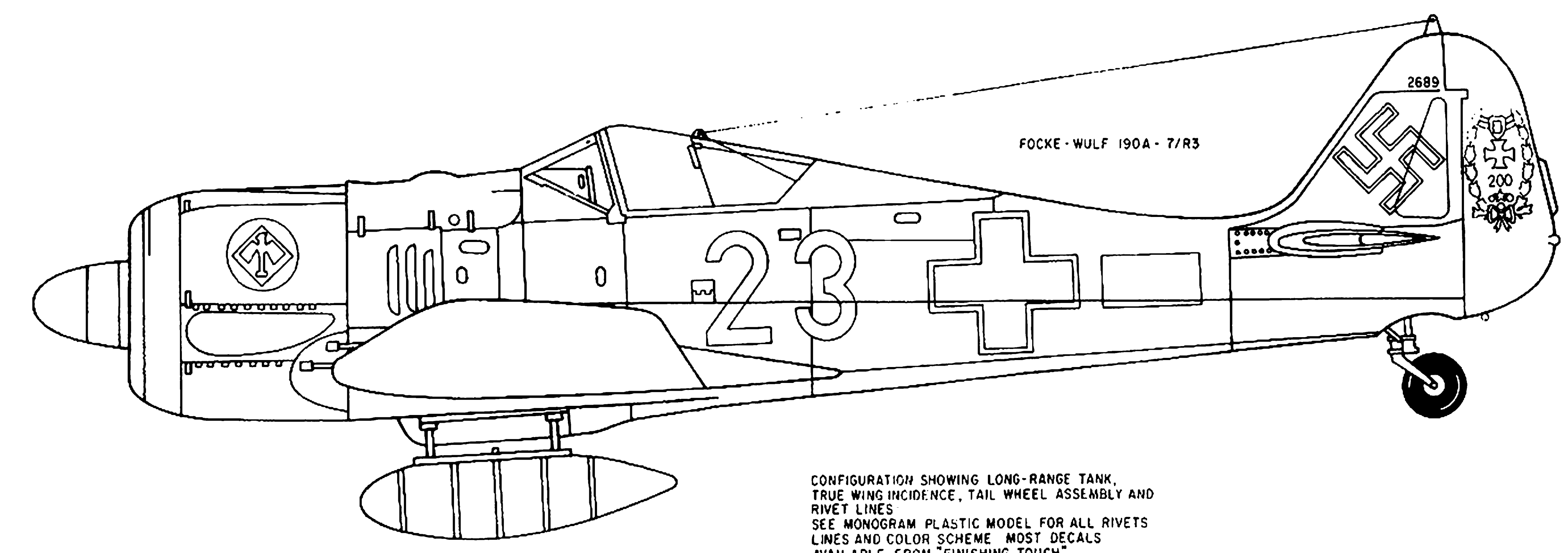
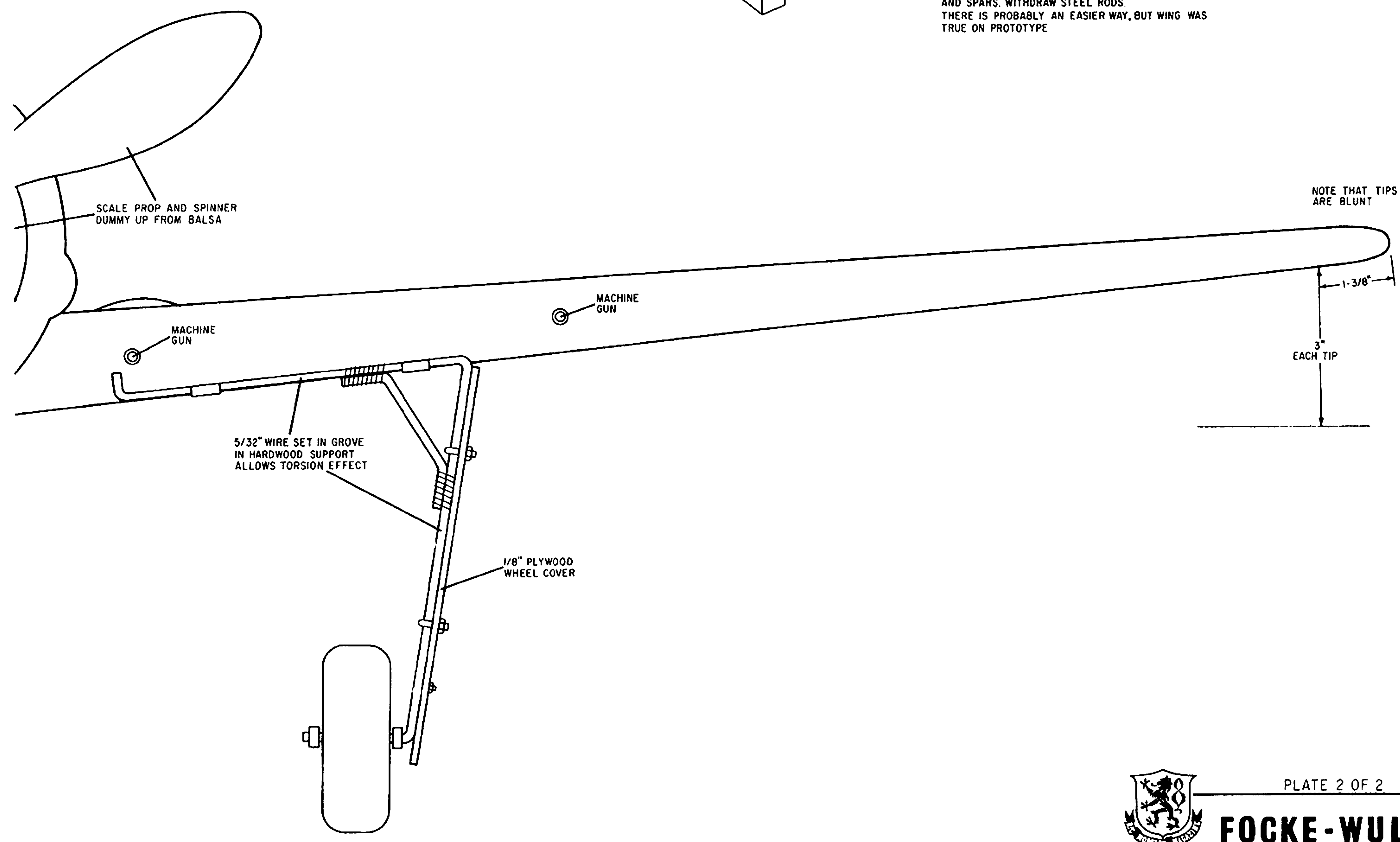
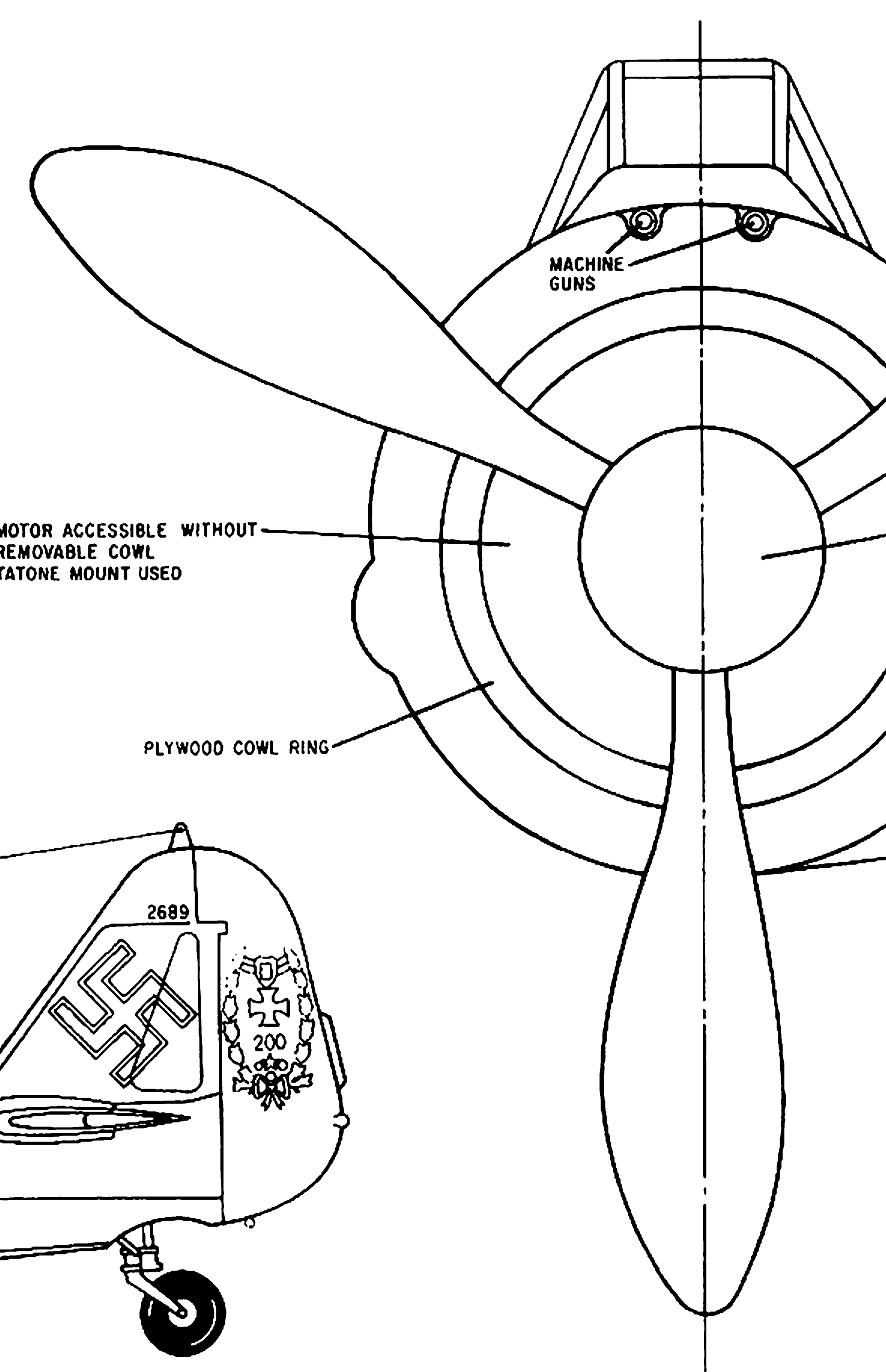
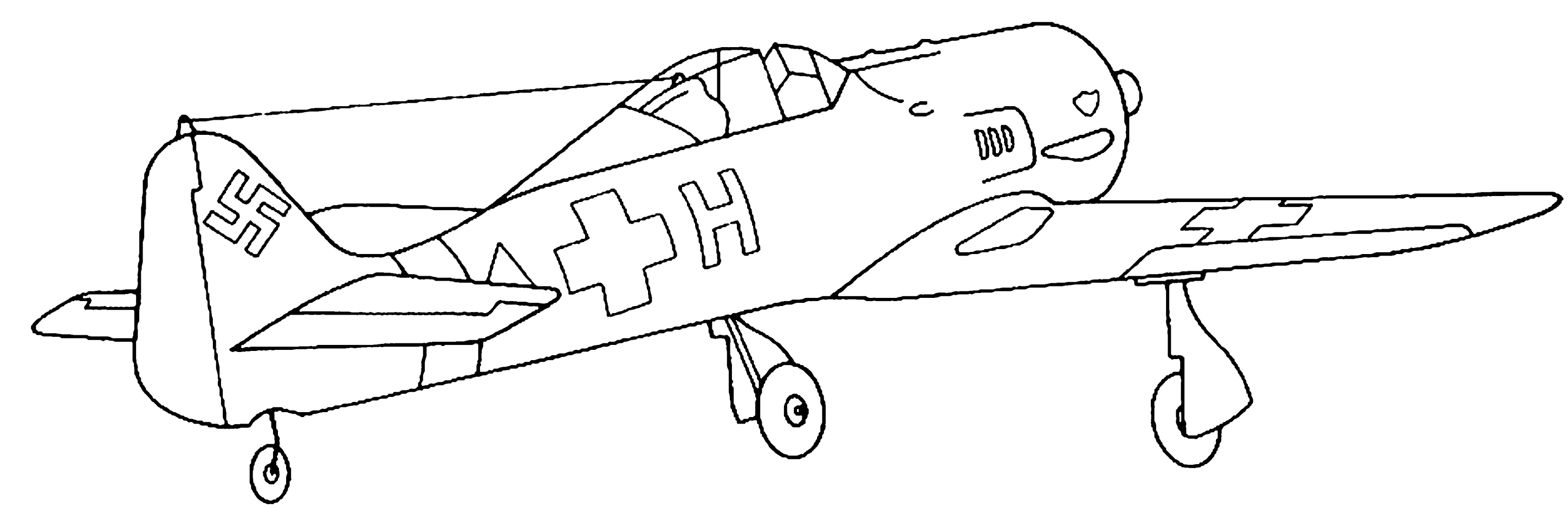
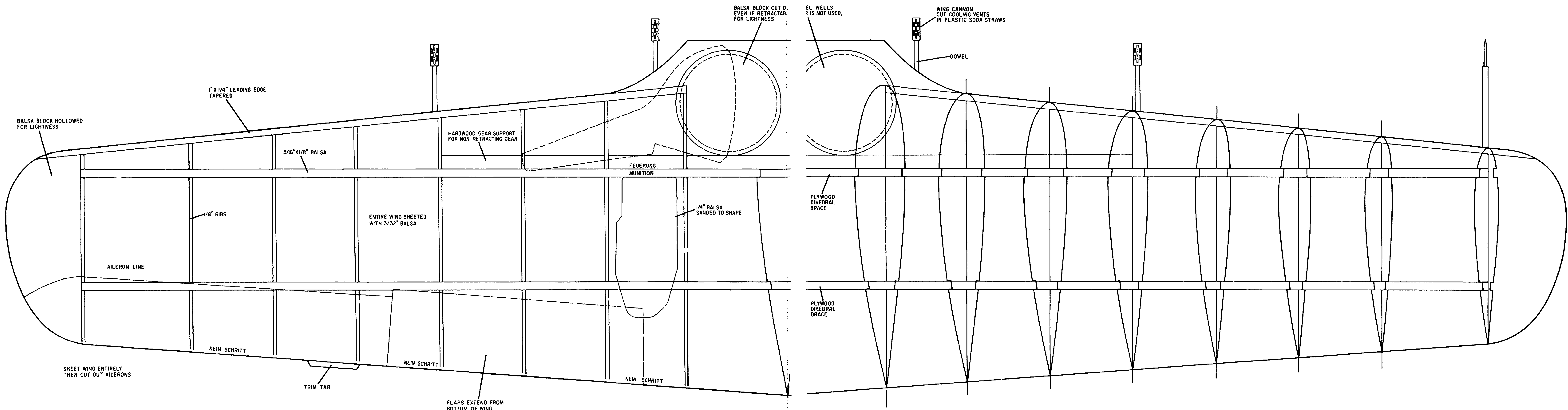


PROTOTYPE USED ENYA 60 WITH 12-4 PROP. THE MORE POWER THE BETTER



IMPORTANT: ALL CROSS SECTIONS SHOWN OUTSIDE OUTLINE OF FUSELAGE. CUT FORMERS TO ALLOW FOR THICKNESS OF 3/32" SHEET



CONFIGURATION SHOWING LONG-RANGE TANK, TRUE WING INCIDENCE, TAIL WHEEL ASSEMBLY AND RIVET LINES
SEE MONOGRAM PLASTIC MODEL FOR ALL RIVETS LINES AND COLOR SCHEME MOST DECALS AVAILABLE FROM "FINISHING TOUCH"