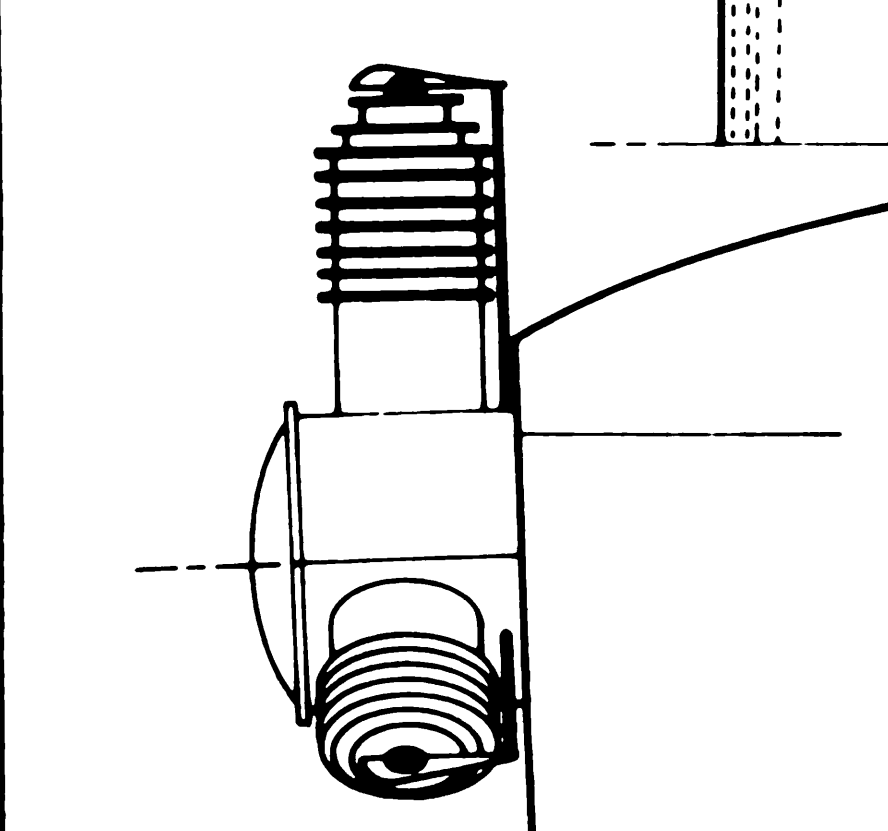


SCALE ENGINE DETAILS. SOME ACFT HAD OPPOSED 2 & 4 CYL ENGINES INSTALLED



O S MAX 15 R/C ON TATONE MOUNT SHOWN HERE



RADIO CONTROL SCALE: 09-23 ENGINES  
SPAN: 46" LENGTH: 36"

**FARMAN F.451**  
("Moustique")

DESIGNED BY H.G. BOWERS DRAWN BY H.G. BOWERS

