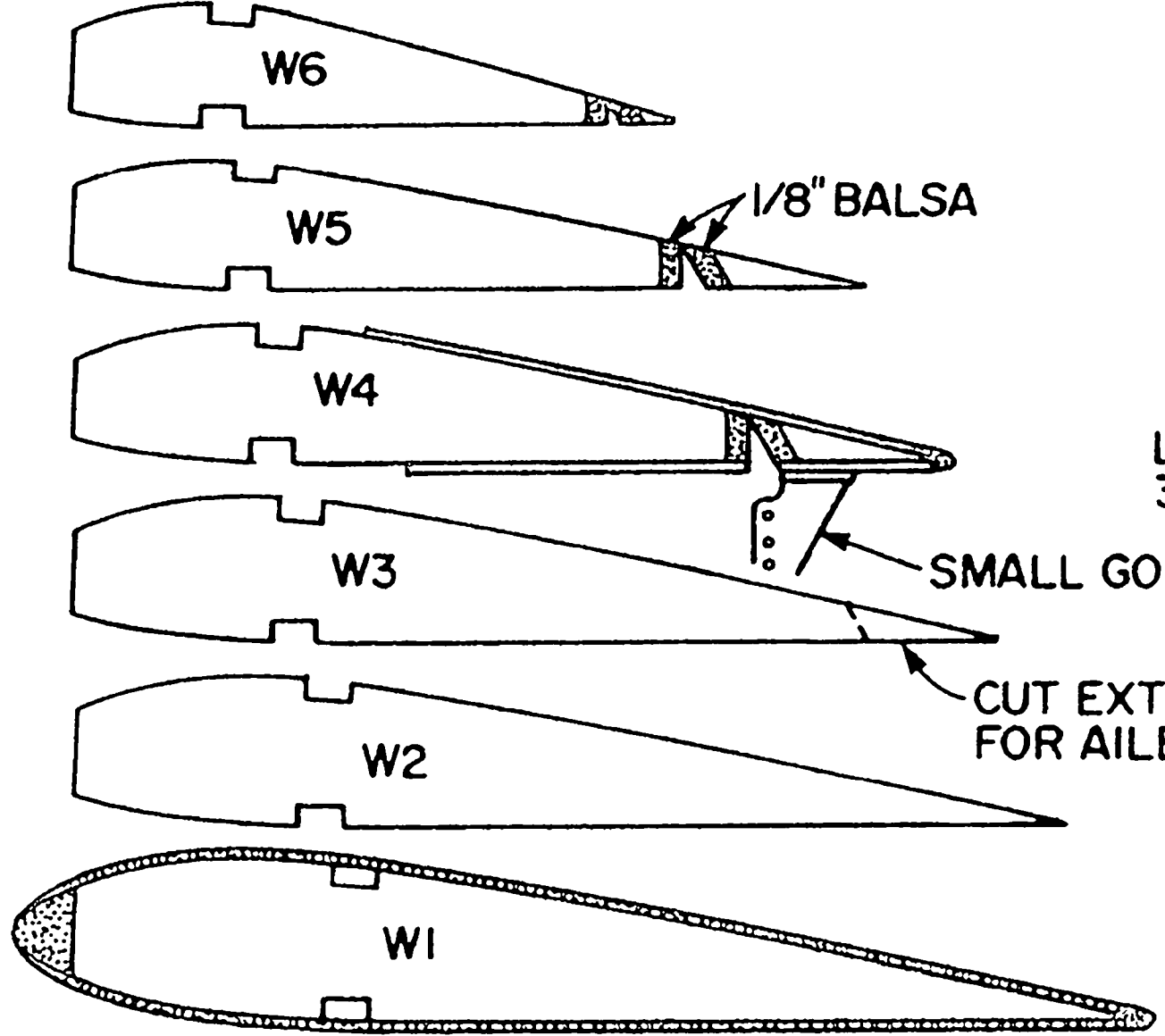


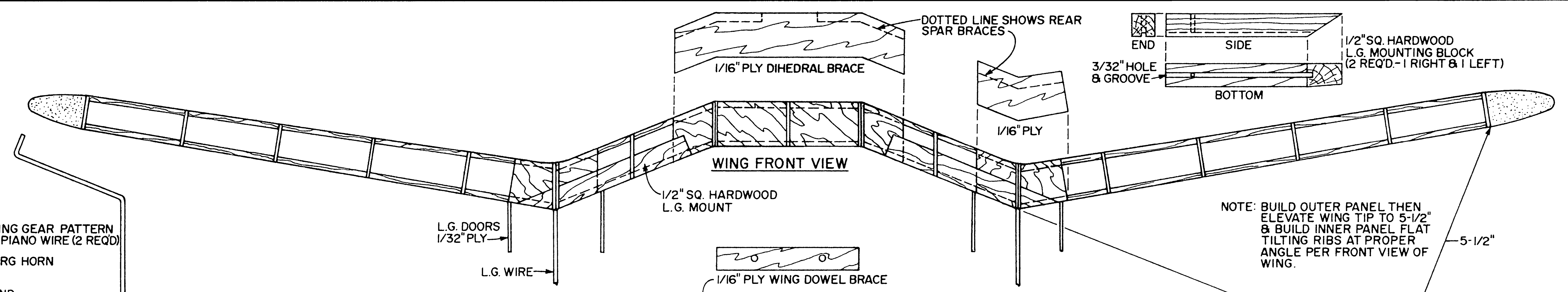
ALL RIBS ARE 1/16" BALS



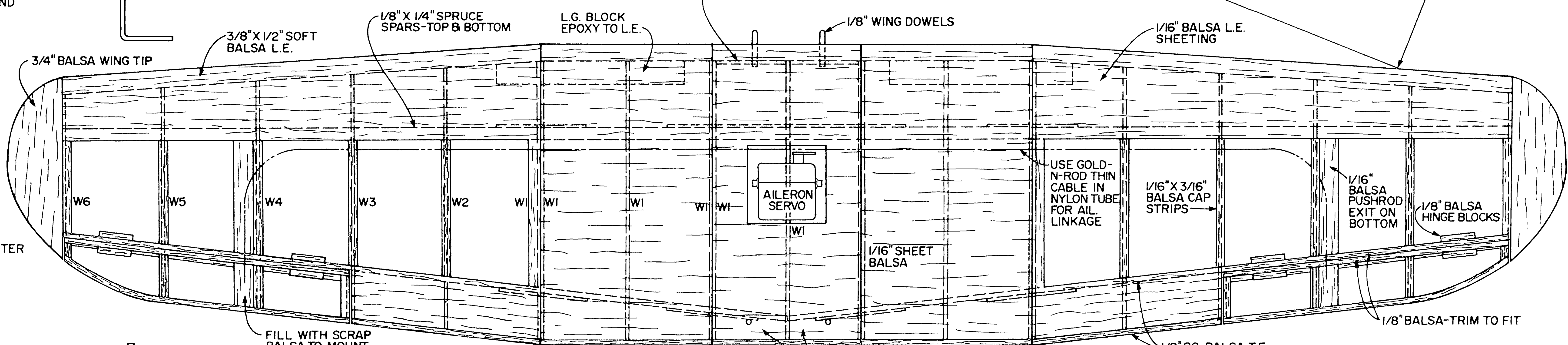
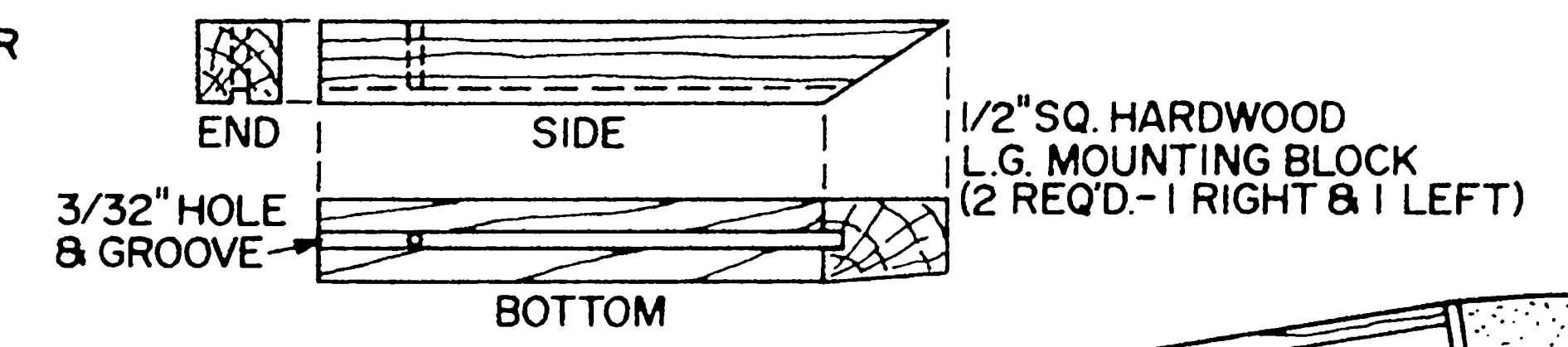
LANDING GEAR PATTERN
3/32" PIANO WIRE (2 REQ'D)

SMALL GOLDBERG HORN

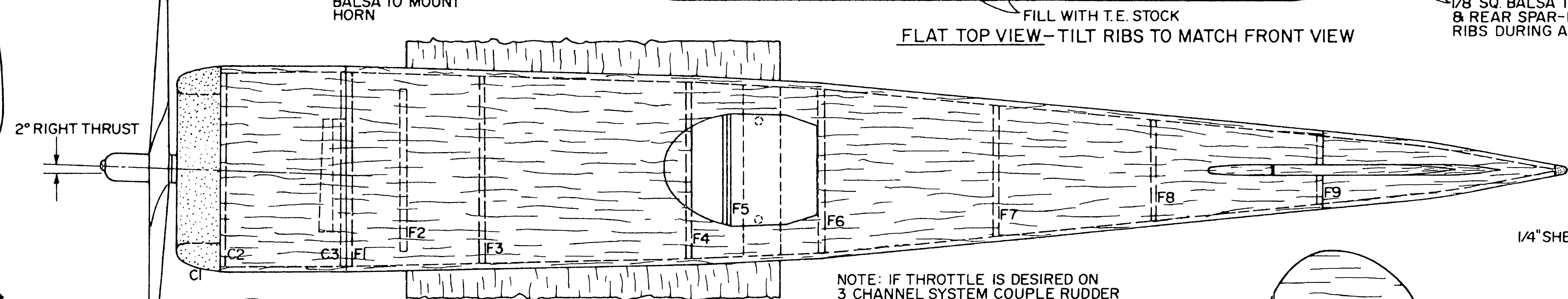
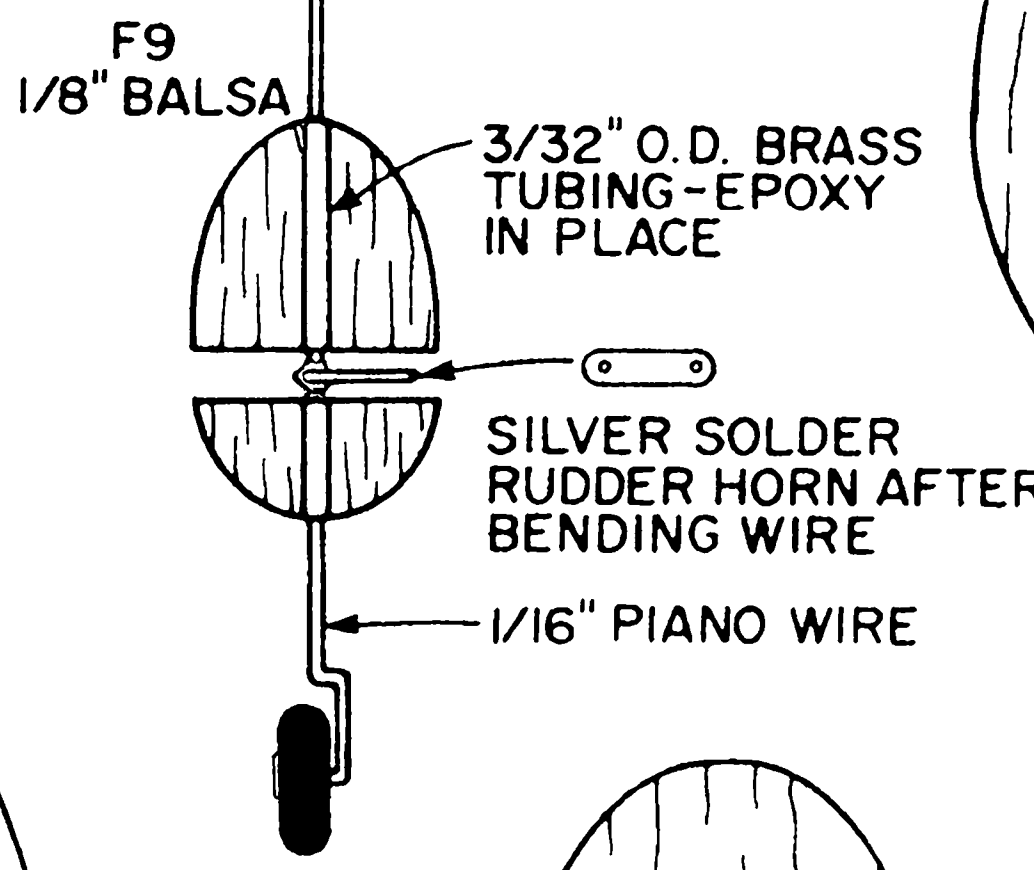
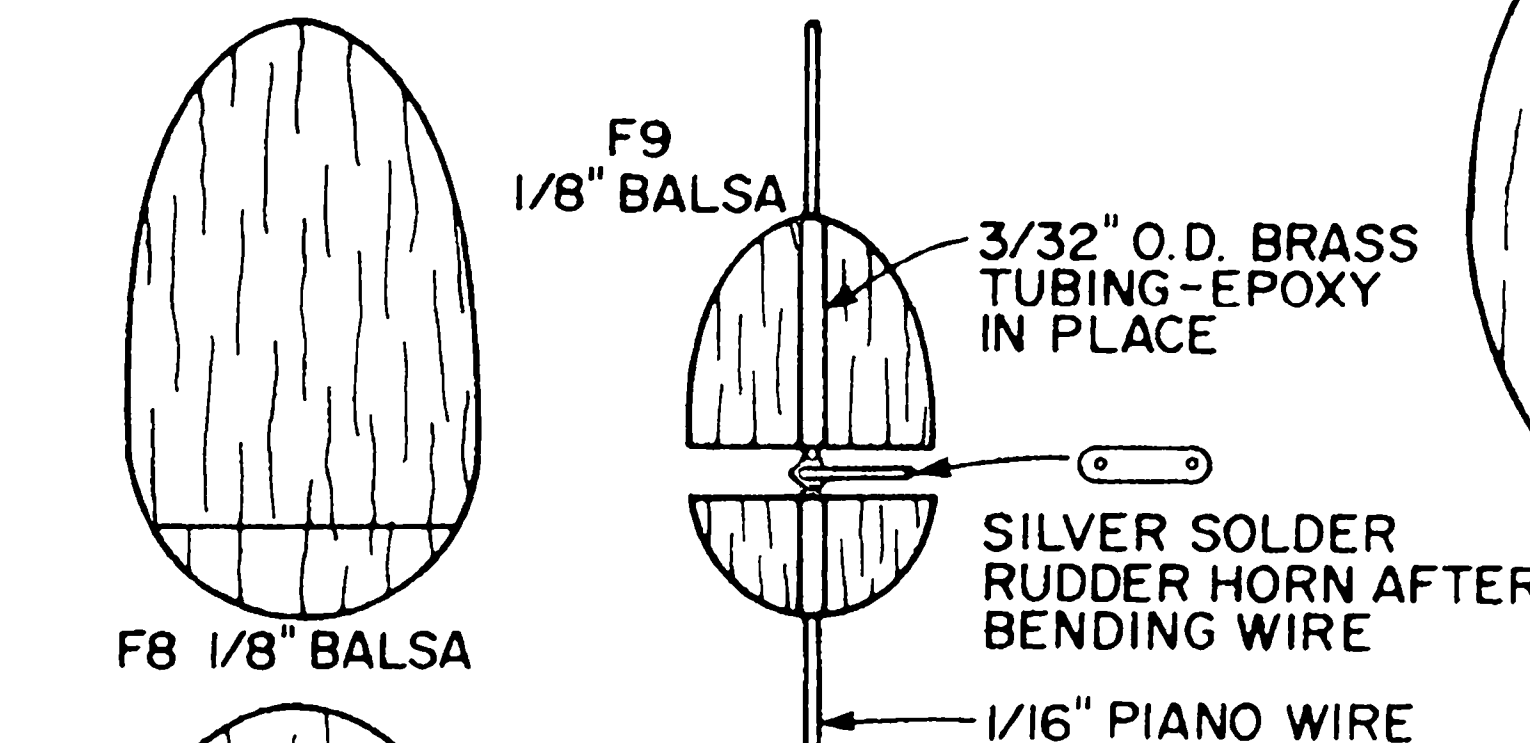
CUT EXTRA END FOR AILERON



WING FRONT VIEW

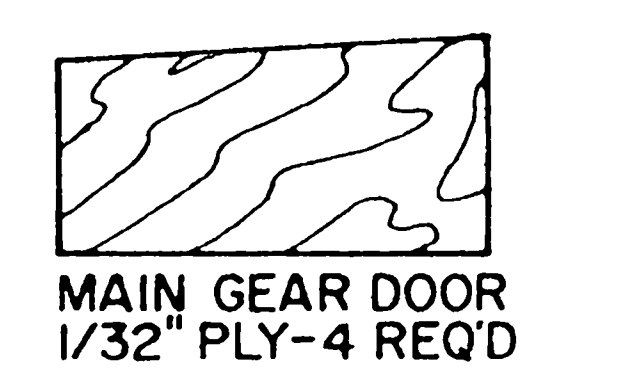
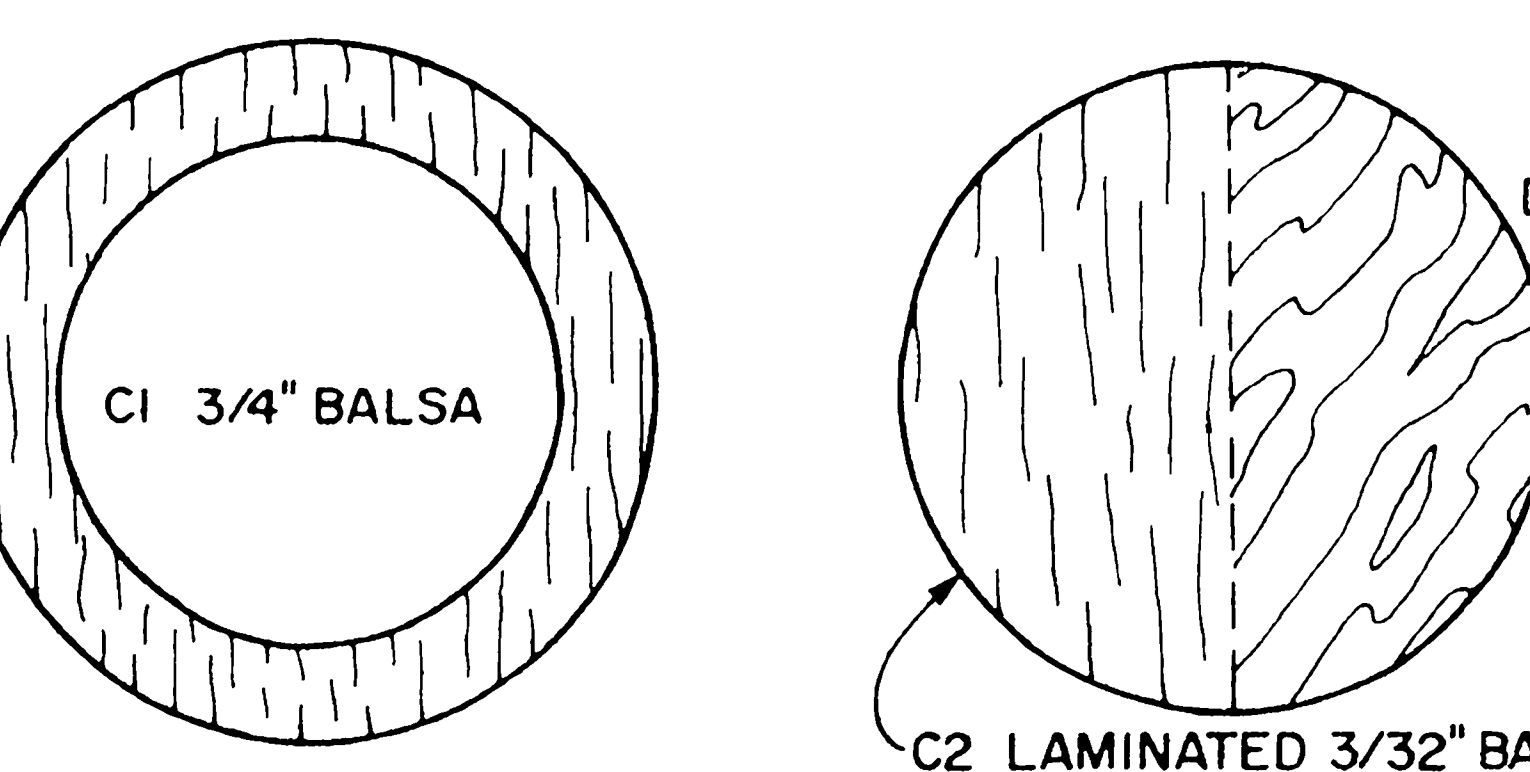
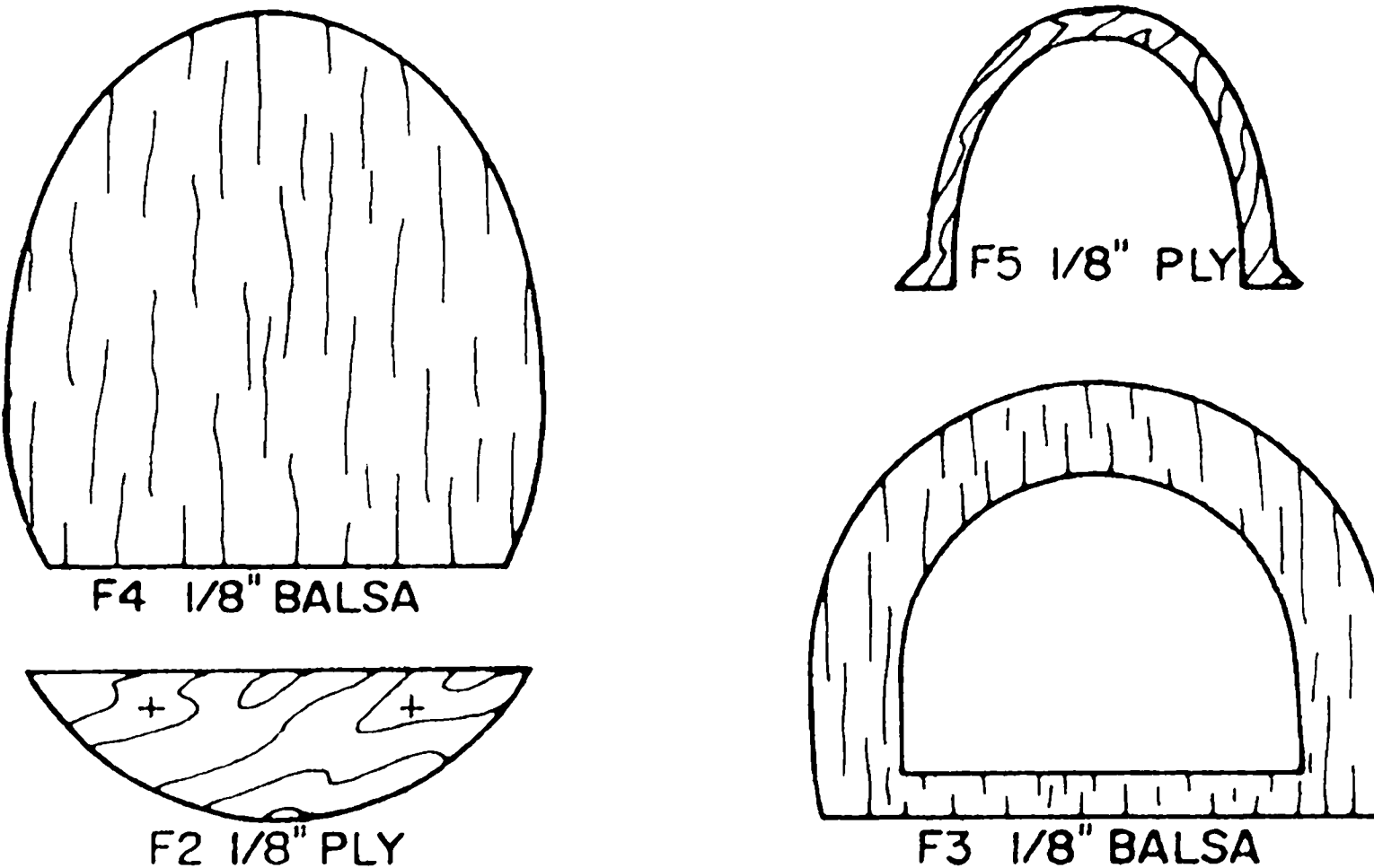
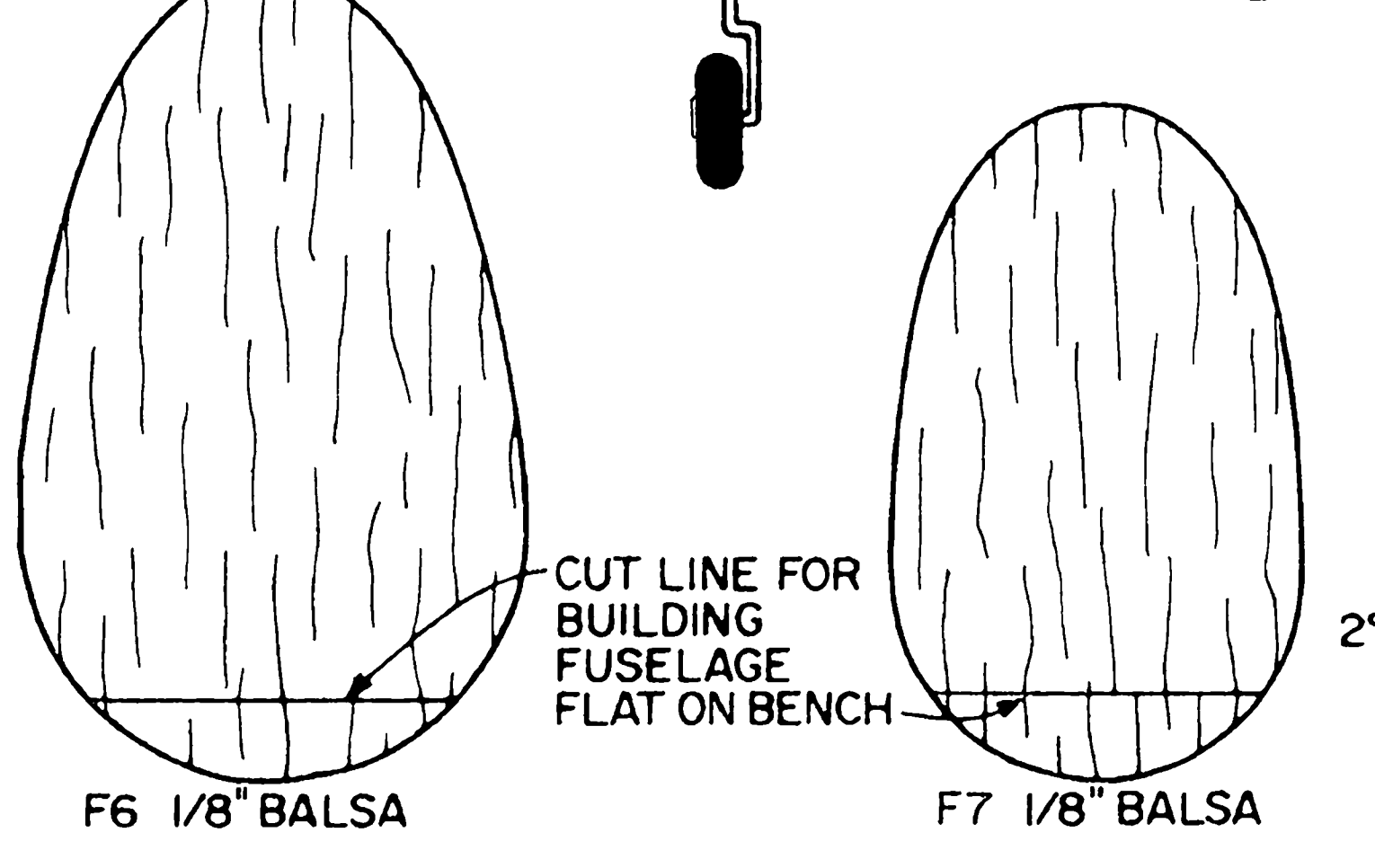


FLAT TOP VIEW—TILT RIBS TO MATCH FRONT VIEW

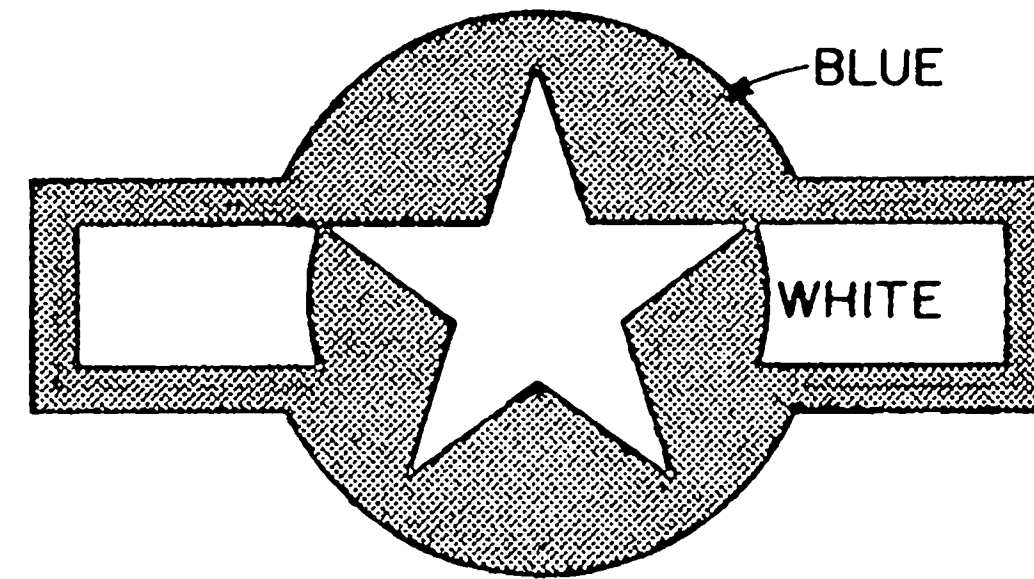
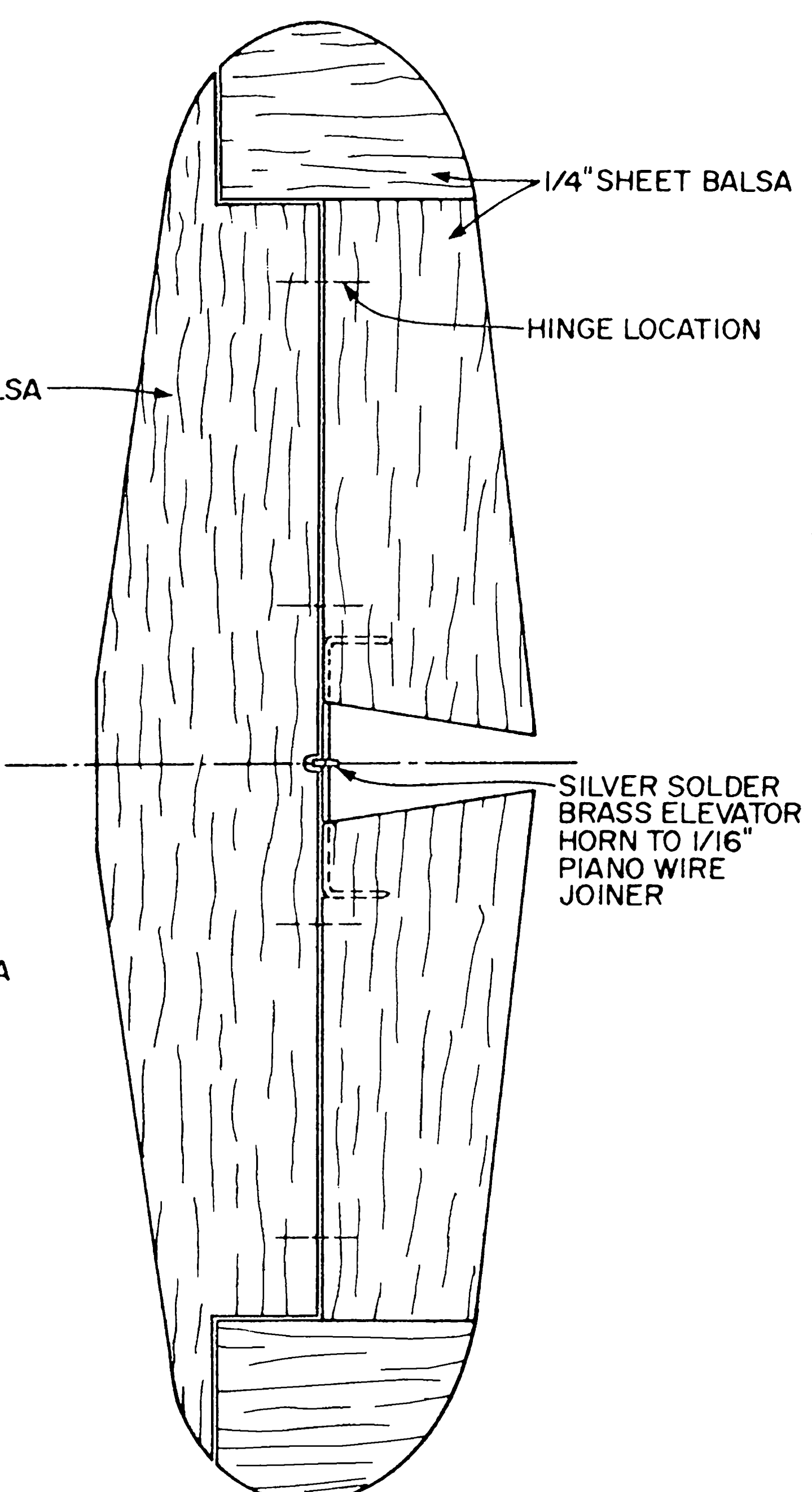
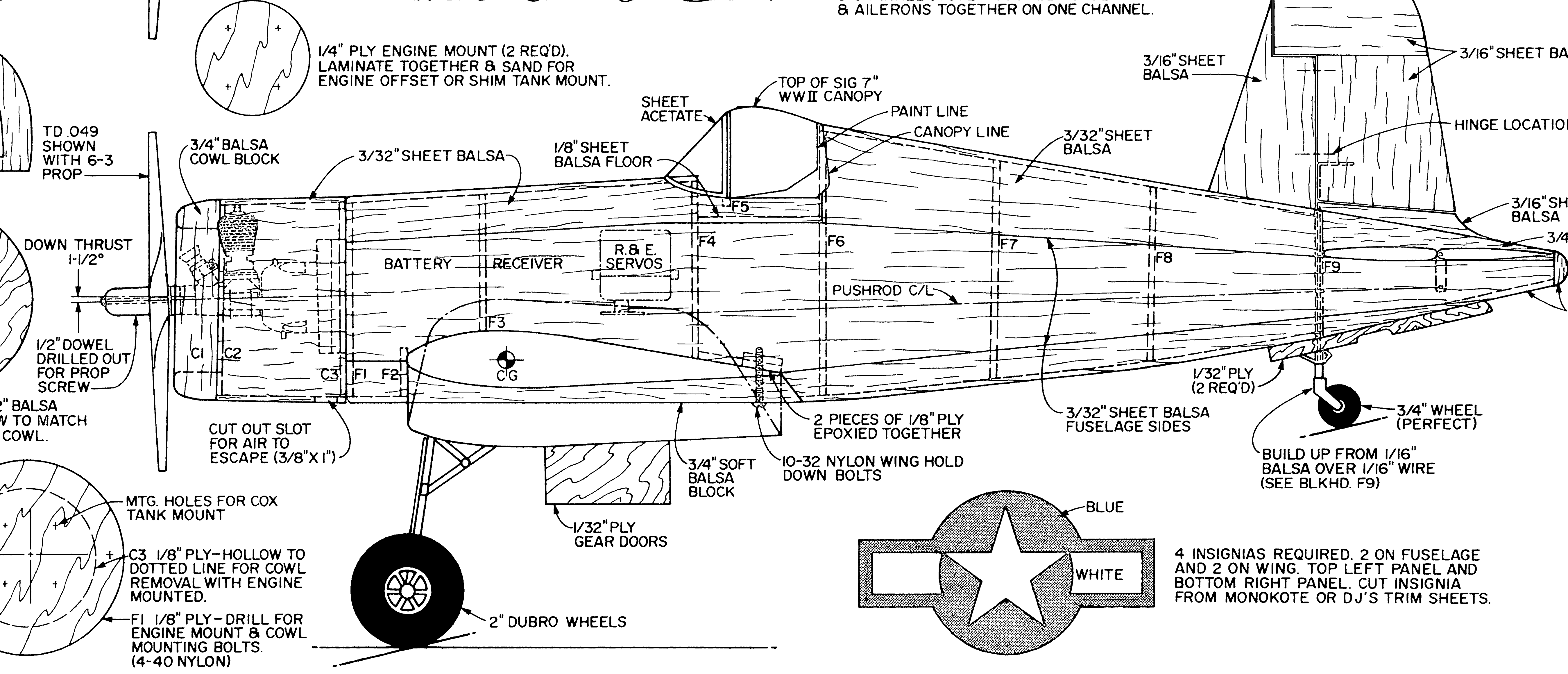


2" RIGHT THRUST

NOTE: IF THROTTLE IS DESIRED ON 3 CHANNEL SYSTEM COUPLE RUDDER & AILERONS TOGETHER ON ONE CHANNEL.



MAIN GEAR FRONT PIECE—1/32" PLY—2 REQ'D—RIGHT GEAR SHOWN



4 INSIGNIAS REQUIRED. 2 ON FUSELAGE AND 2 ON WING. TOP LEFT PANEL AND BOTTOM RIGHT PANEL. CUT INSIGNIA FROM MONOKOTE OR DJ'S TRIM SHEETS.

1/2 A STAND-OFF SCALE
© RCM ALL COMMERCIAL RIGHTS RESERVED
F4U-1D GORSAIR
DESIGNED BY GEO. CALDWELL DRAWN BY GEO. CALDWELL
0 1 2 3 4 5 6
PLAN NO. 690