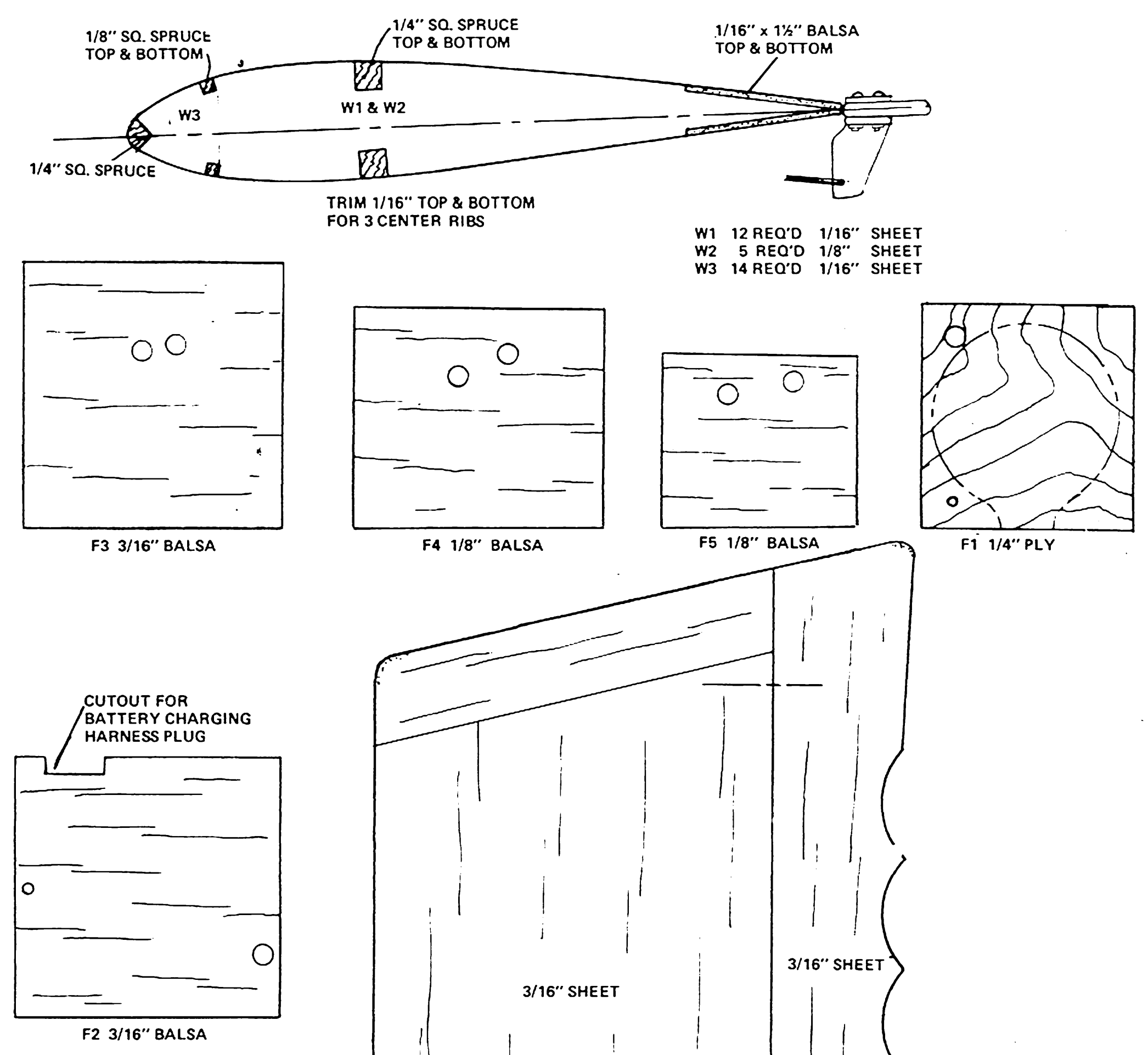
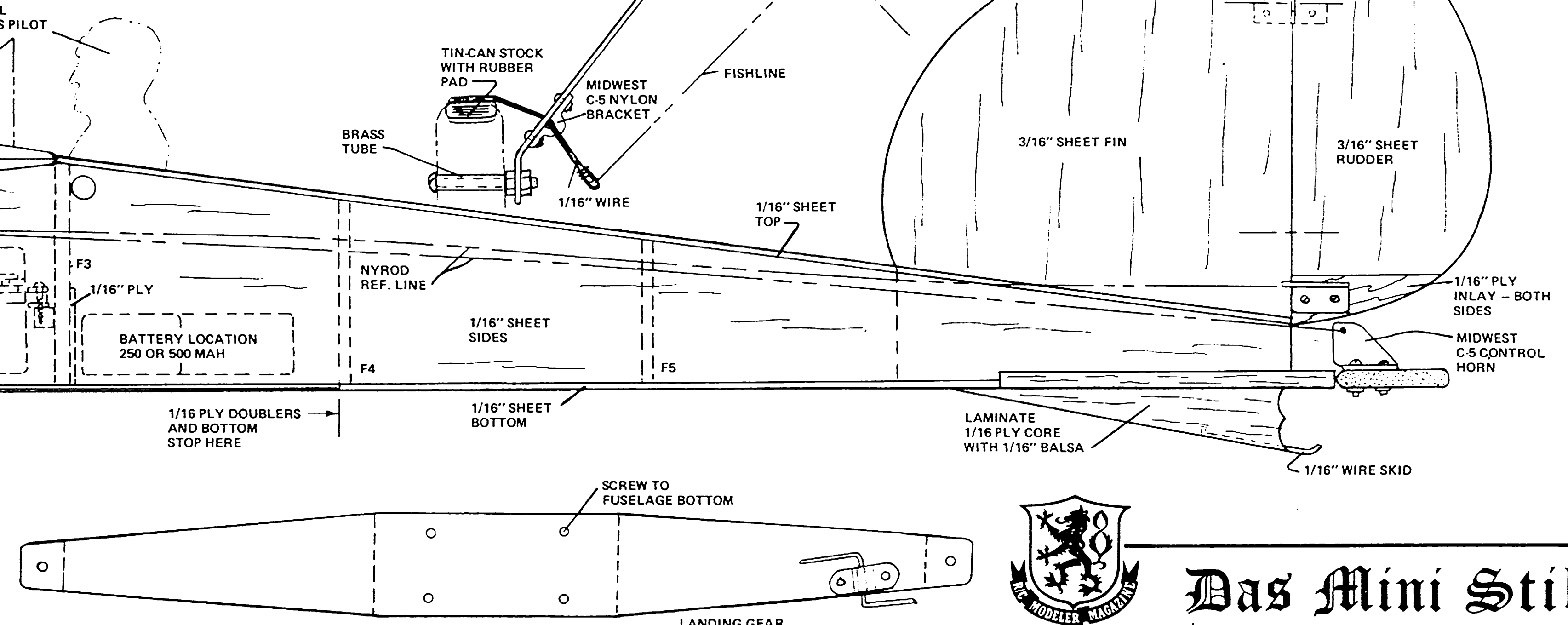
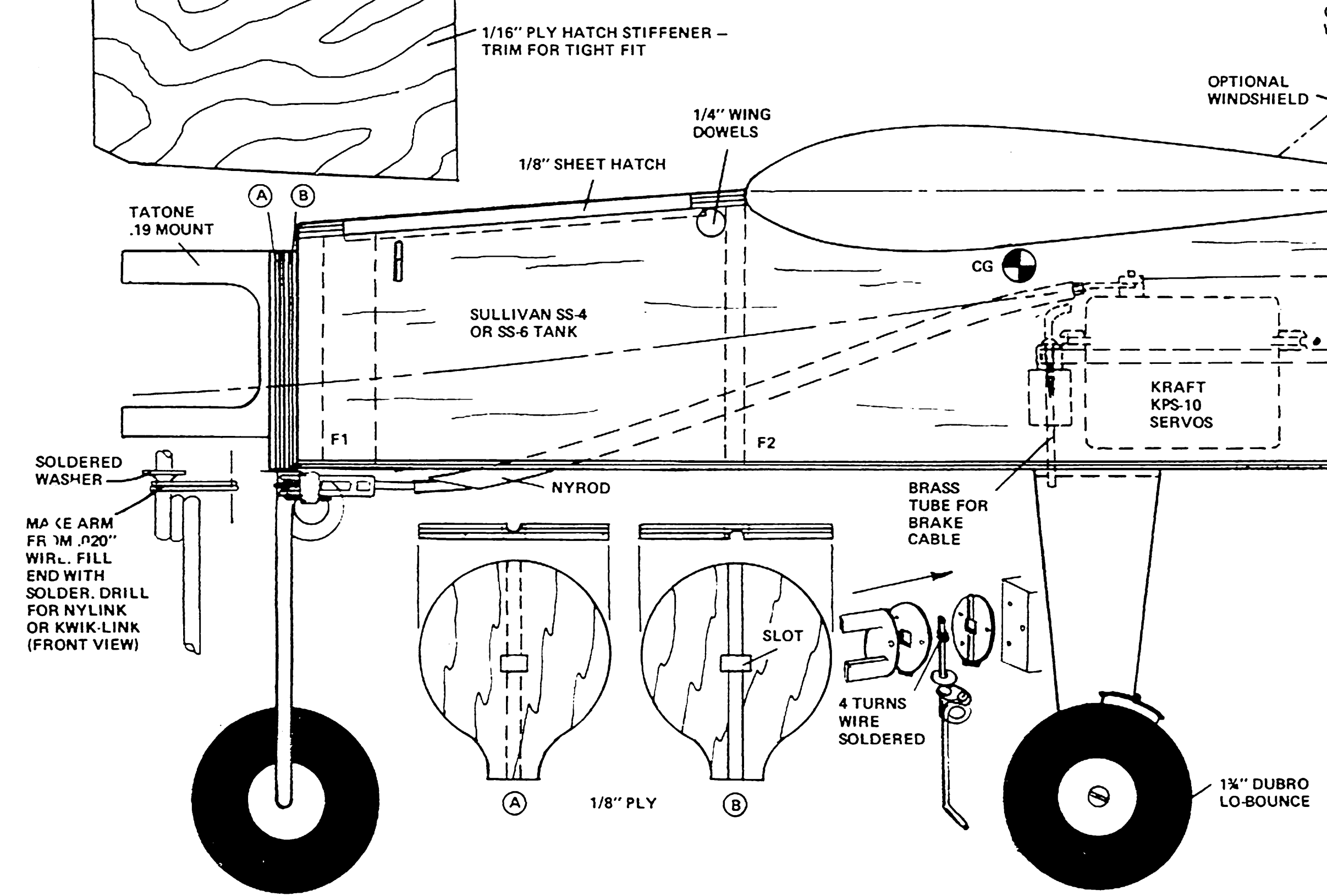
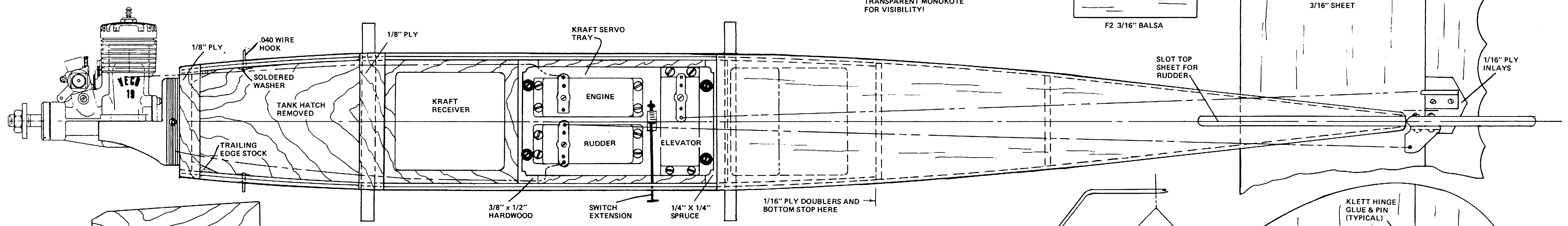


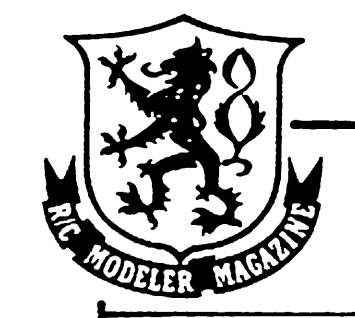
WING SHOWN FROM BOTTOM



NOTE: RECOMMEND ORANGE TRANSPARENT MONOKOTE FOR VISIBILITY!



WING SPAN - 36"
 WING AREA - 270 SQ. IN.
 LENGTH - 27 1/2" (FIREWALL TO RUDDER)
 WEIGHT - 2 1/2 LBS.
 ENGINE SIZE - .15 to .19 CU. IN.
 NO. OF CHANNELS REQ'D - 4
 FLYING EXPERIENCE - EXPERT



Das Mini Stik

SON OF "UGLY STIK" (KRAFT) AND "LITTLE STIK" (LEONARD)

DELIVERED BY: WALT & WAGGER
 MIDWIFE: LOREN DIETRICH

