

By H.E

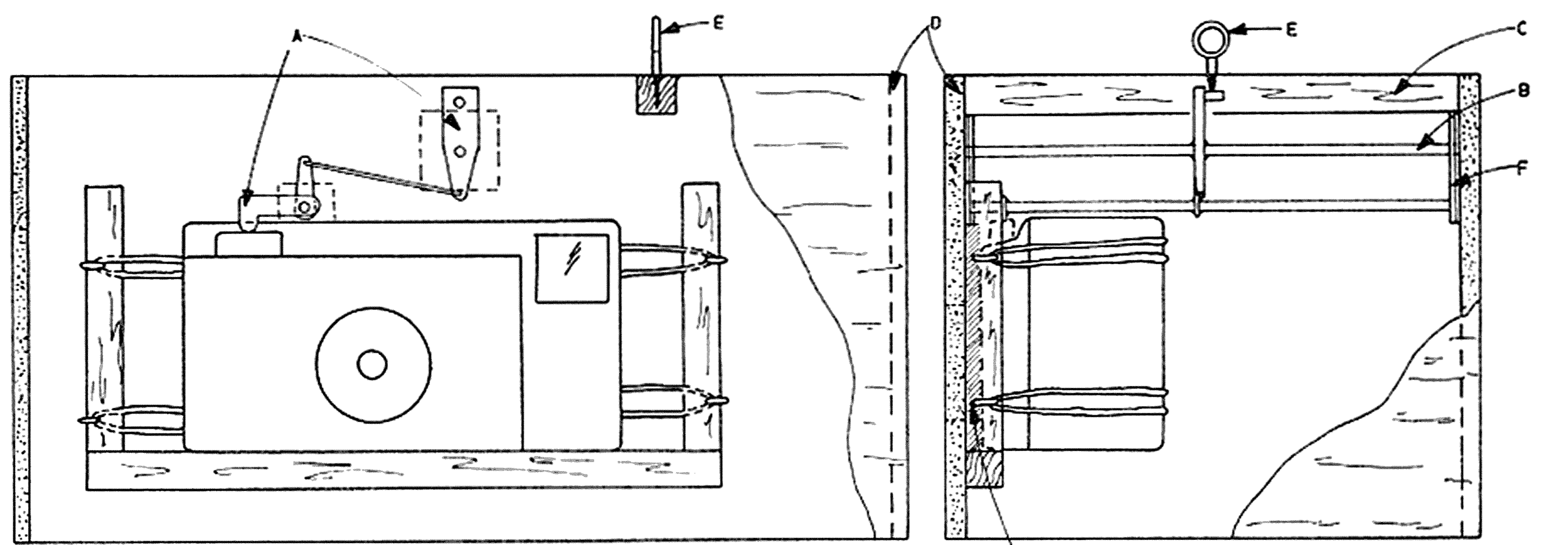
SHEET 1 OF 2

© PCM ALL COMMERCIAL RIGHTS RESERVED

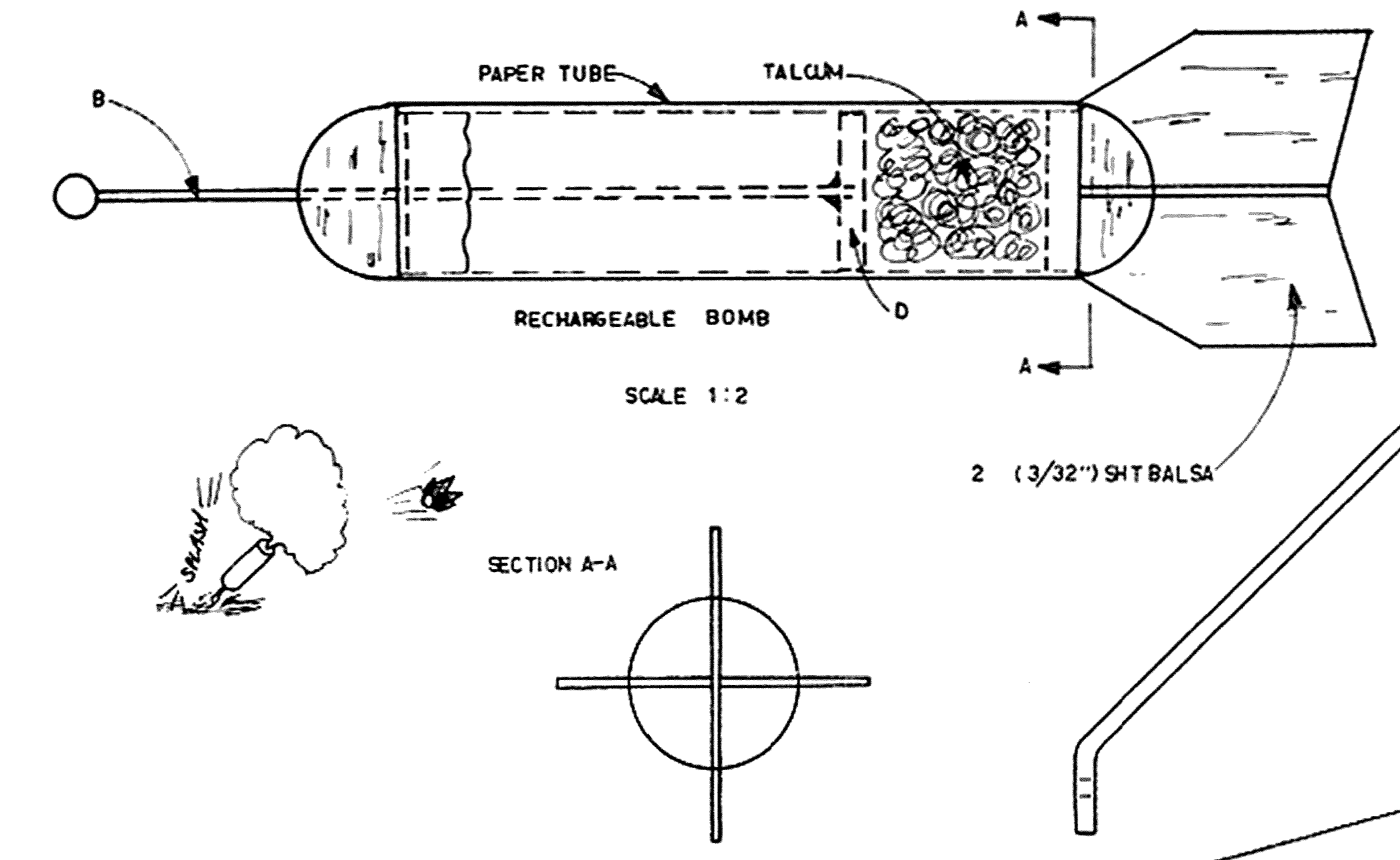
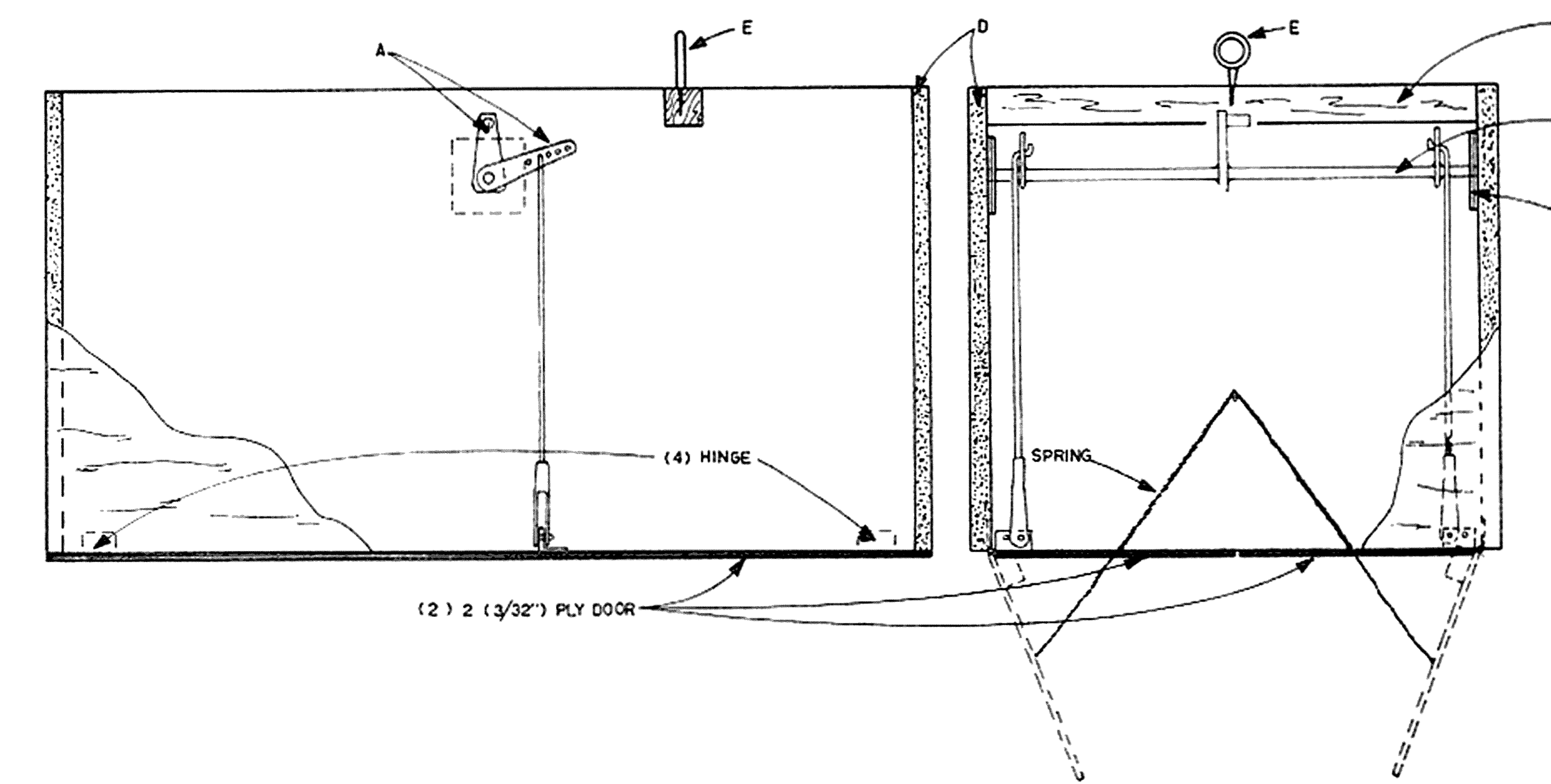
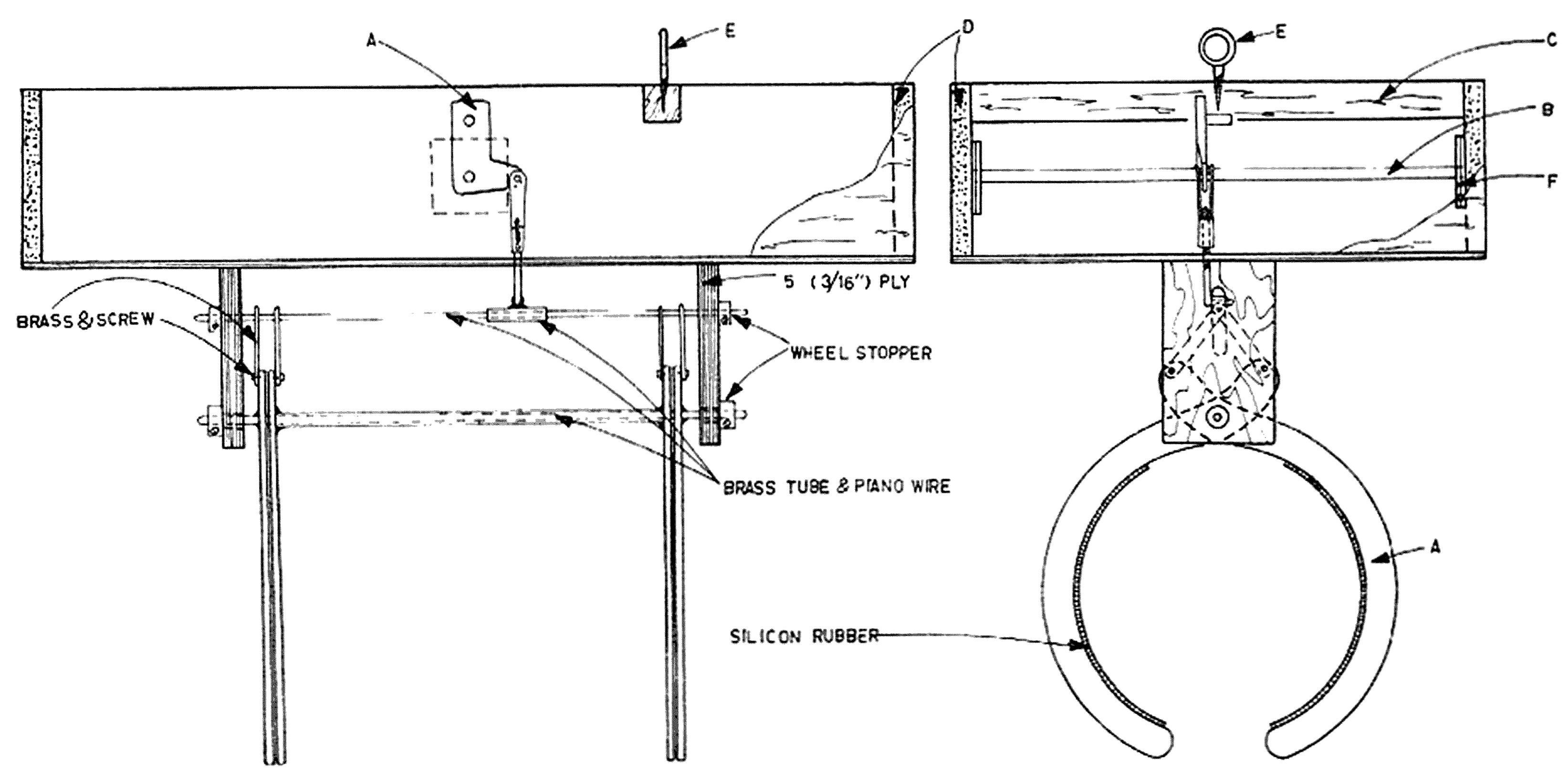
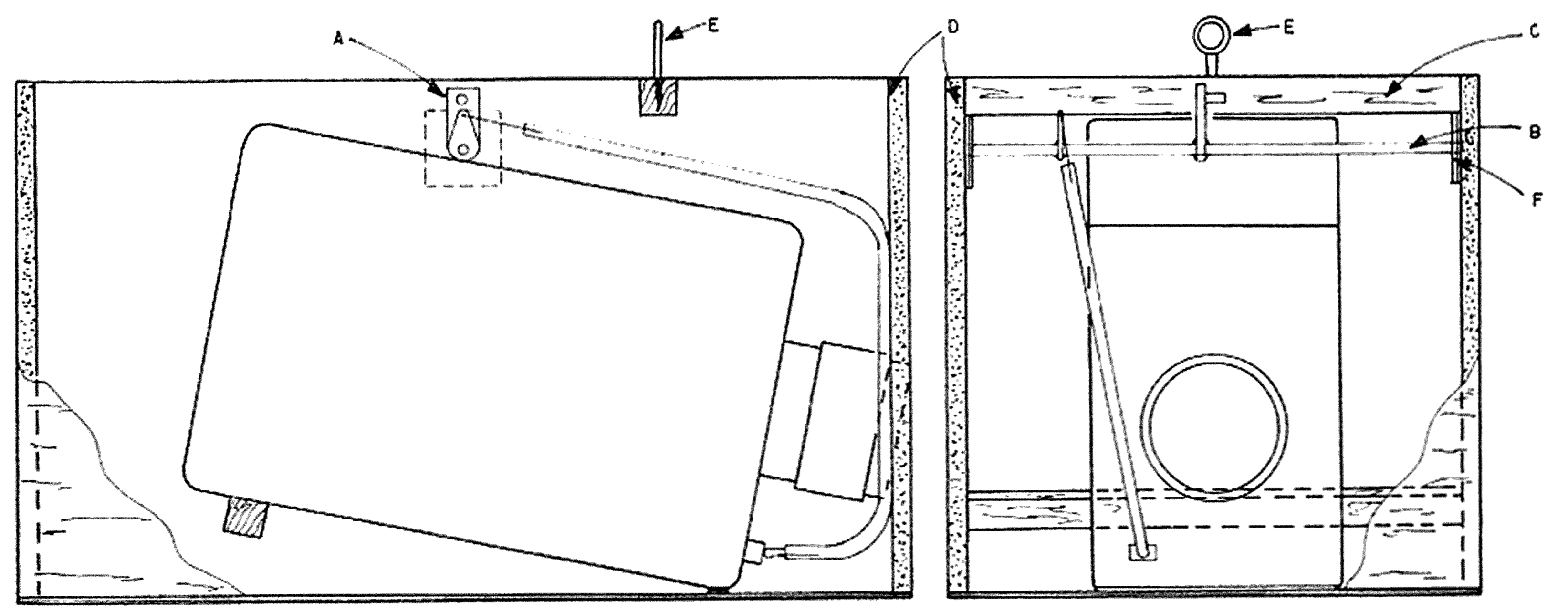
**CONTAINER FLI**

DESIGNED AND DRAWN BY TERJE V. LOBERG

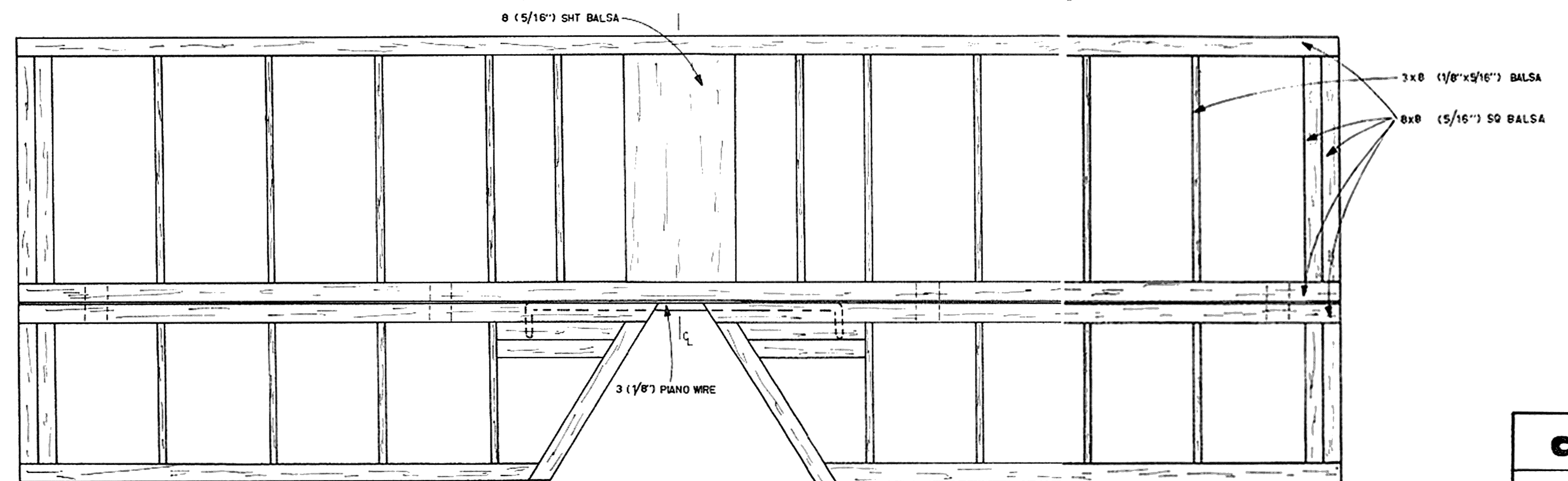
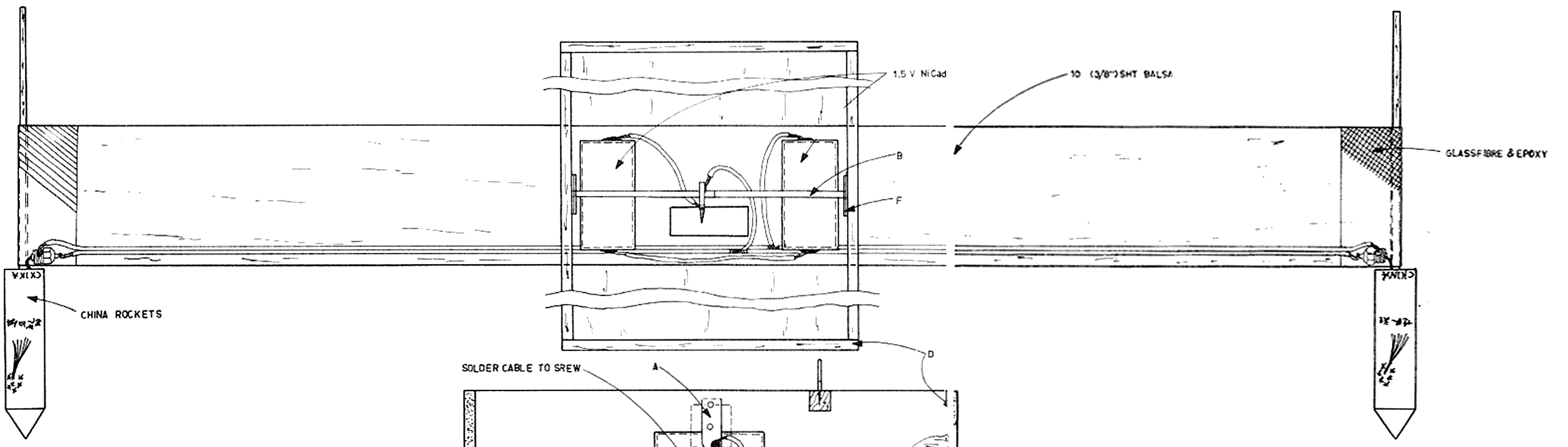
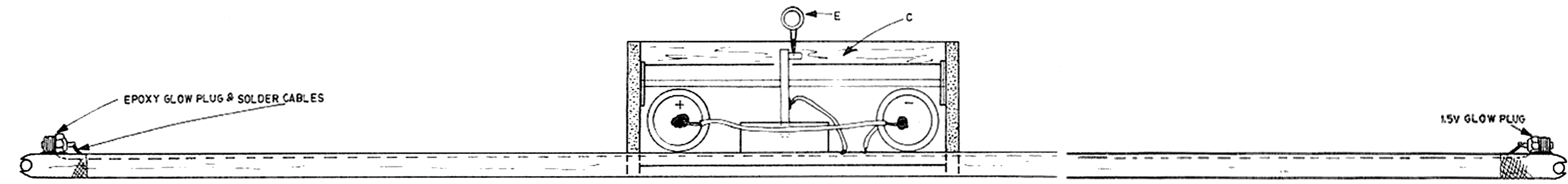
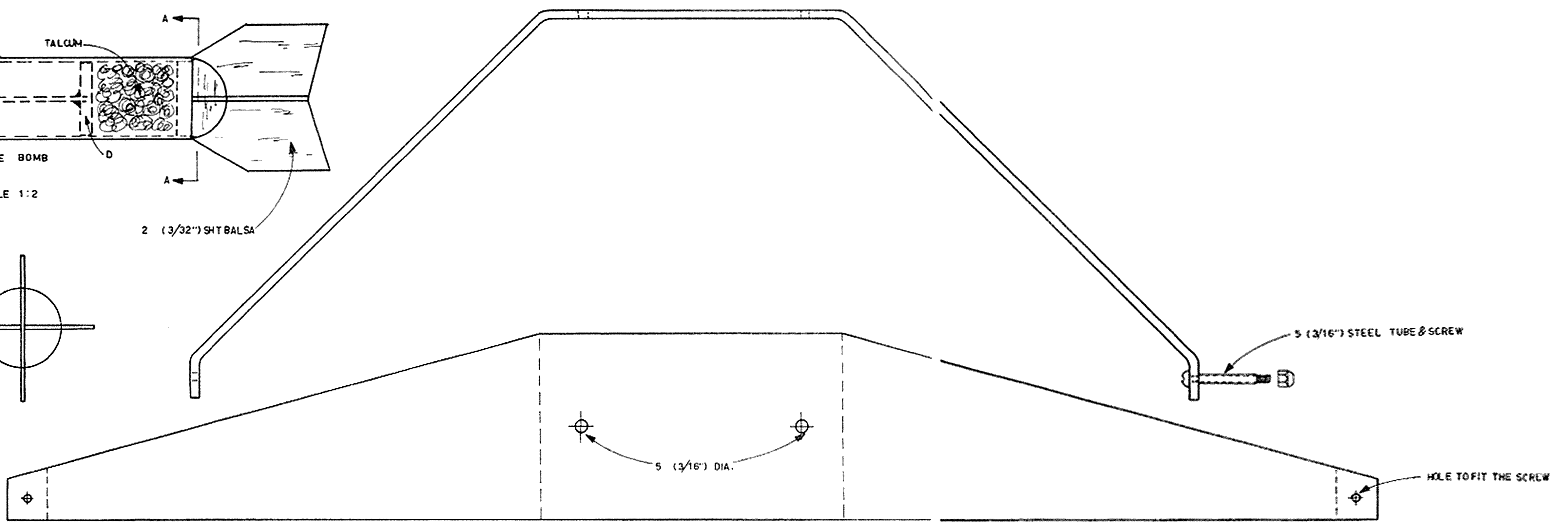
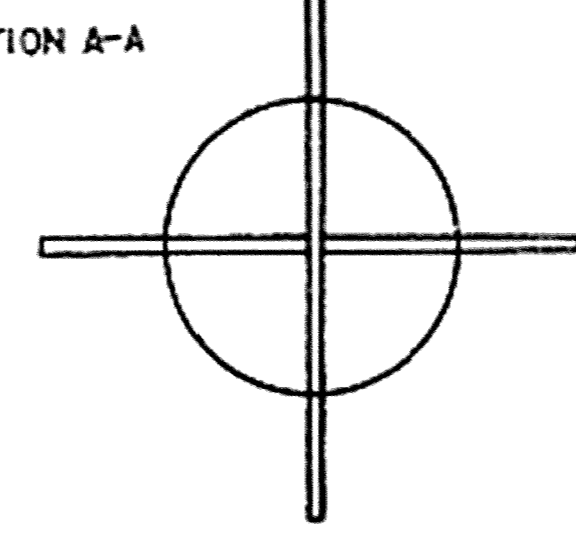
MEASURE: MILLIMETER (INCHES)



RUBBER PLATE



SCALE 1:2



- A=MAKE FROM BRASS
- B=3 (1/8") DIA. PIANO WIRE
- C=10 (3/8") SQ. HARDWOOD
- D=5 (3/16") SHT Balsa
- E=10 (3/8") DIA.
- F=2 (3/32") PLYWOOD