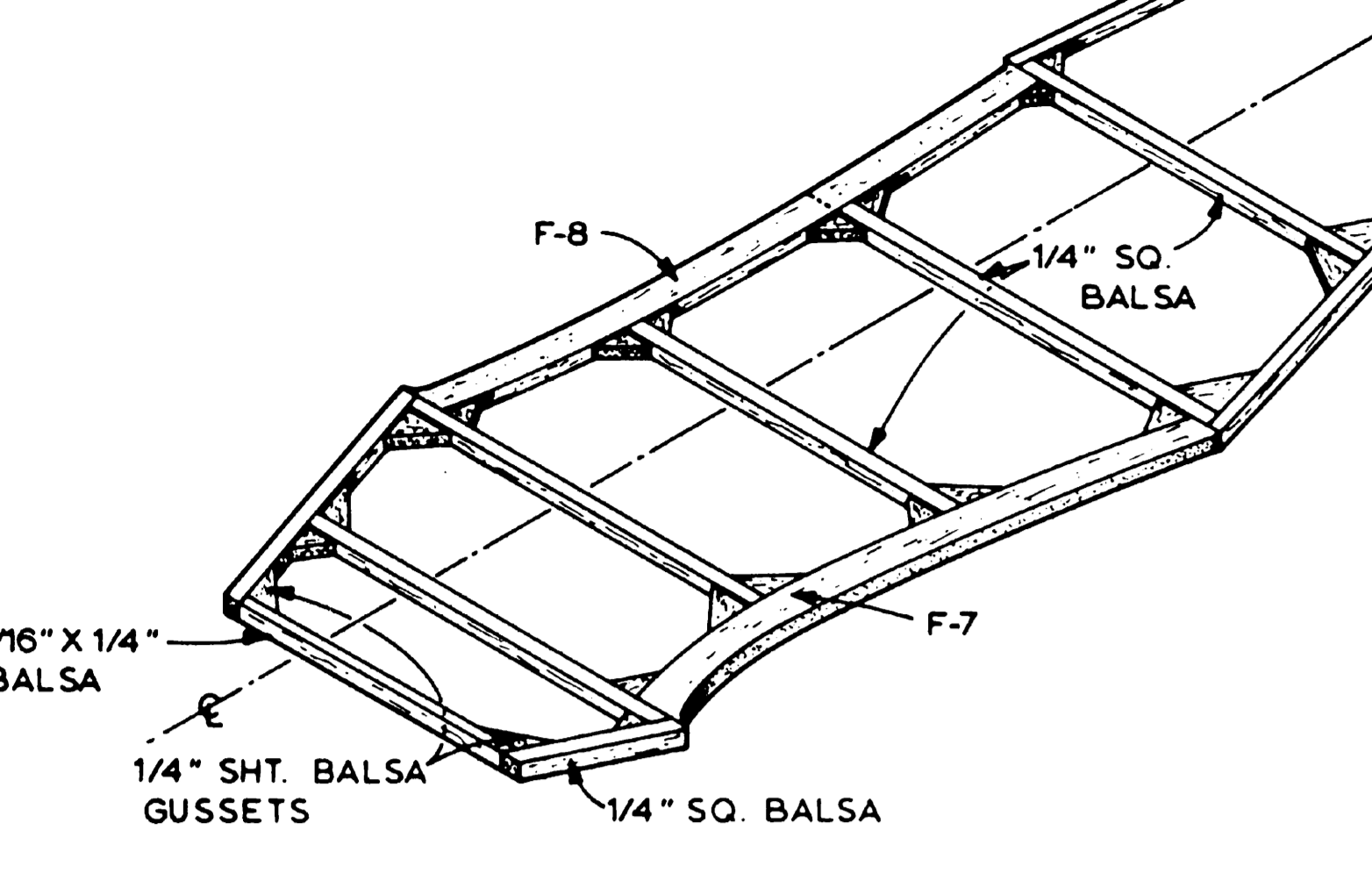


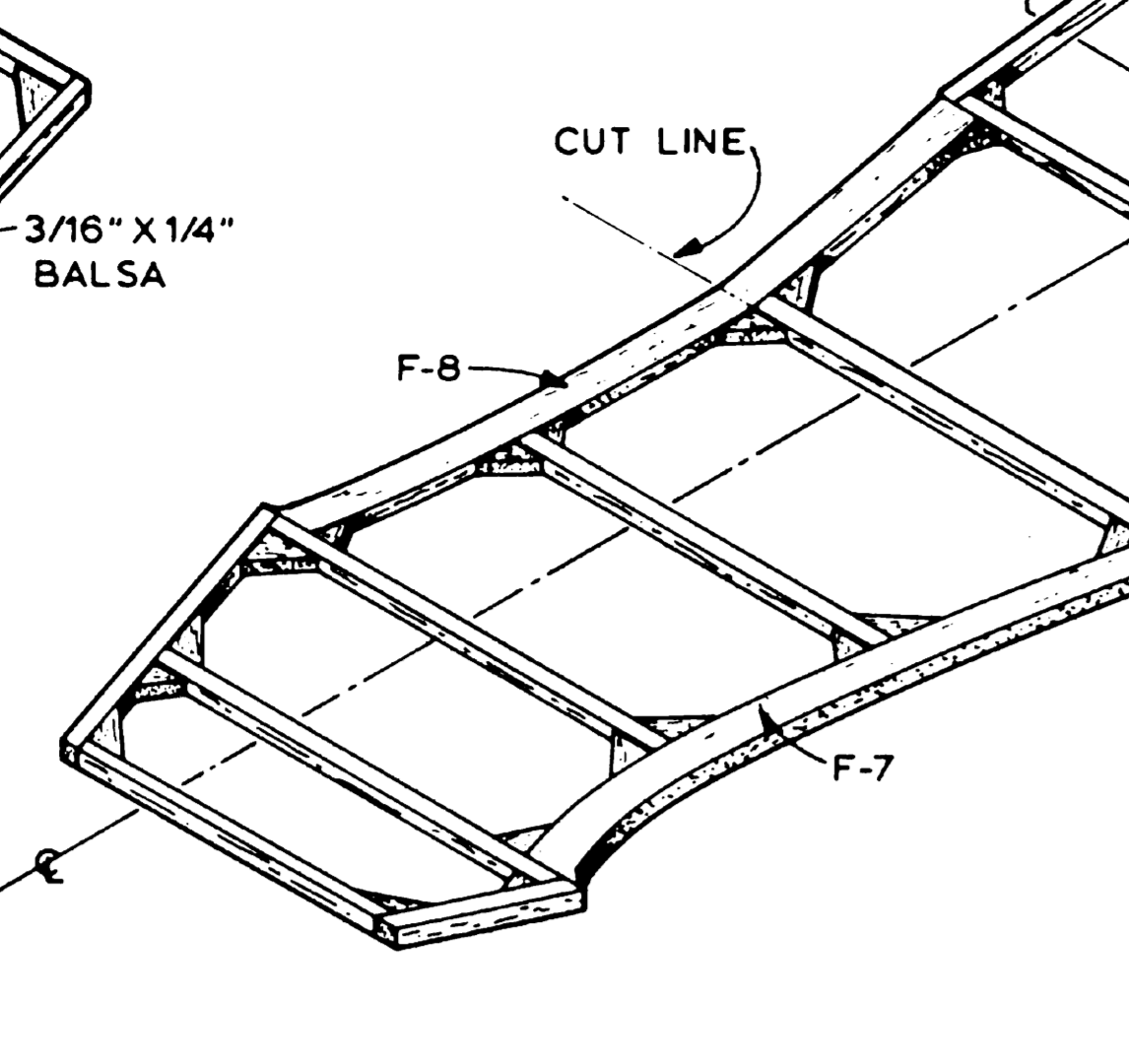
STEP-1

ASSEMBLE FUSELAGE SIDE FRAMES OVER PLAN (SHT. 2 OF 2). BUILD A SECOND FRAME OVER THE FIRST (USE WAX PAPER PIECES AT THE JOINTS TO PREVENT GLUING THEM TOGETHER) TO INSURE PRODUCING TWO IDENTICAL SIDE FRAMES.



STEP-2

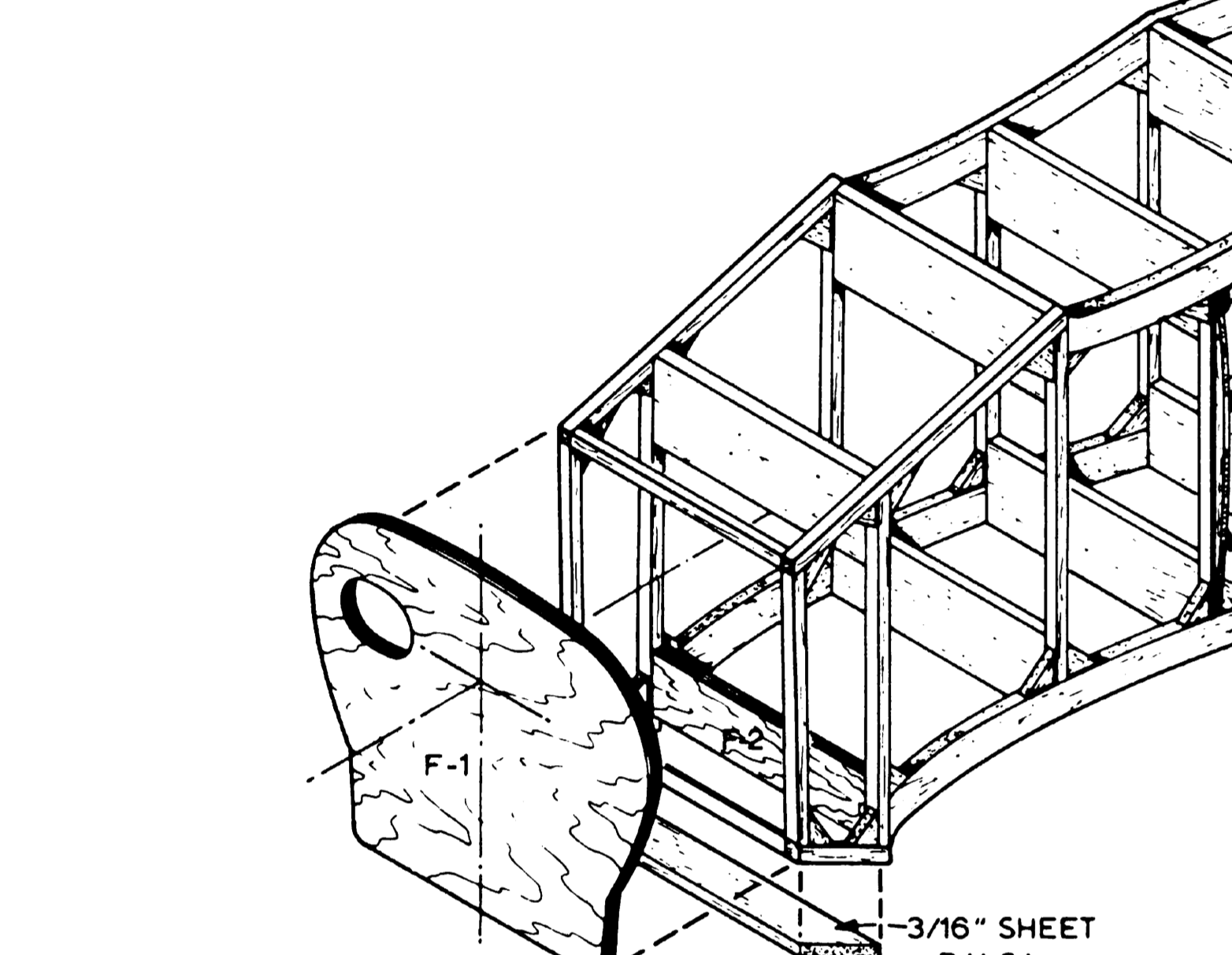
CUT SIDE HALF WAY THRU AT CUT LINE INDICATED AND BLOCK END 2-3/16\"/>



FUSELAGE CONSTRUCTION DETAILS

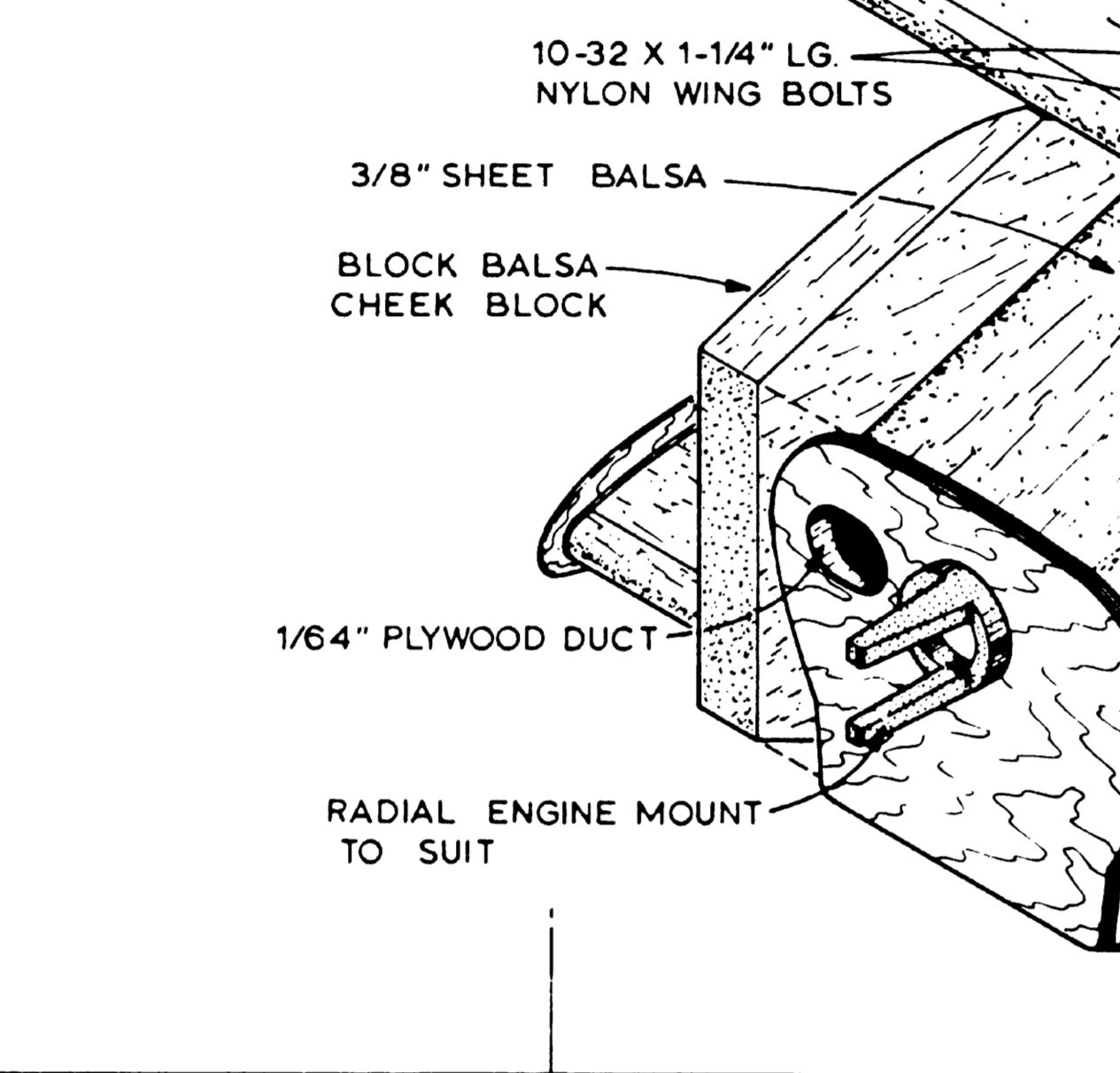
STEP-4

ADD ALL REMAINING FORMERS (F-1, F-5, F-9, F-10, & F-11). GLUE ALL 3/8\"/>



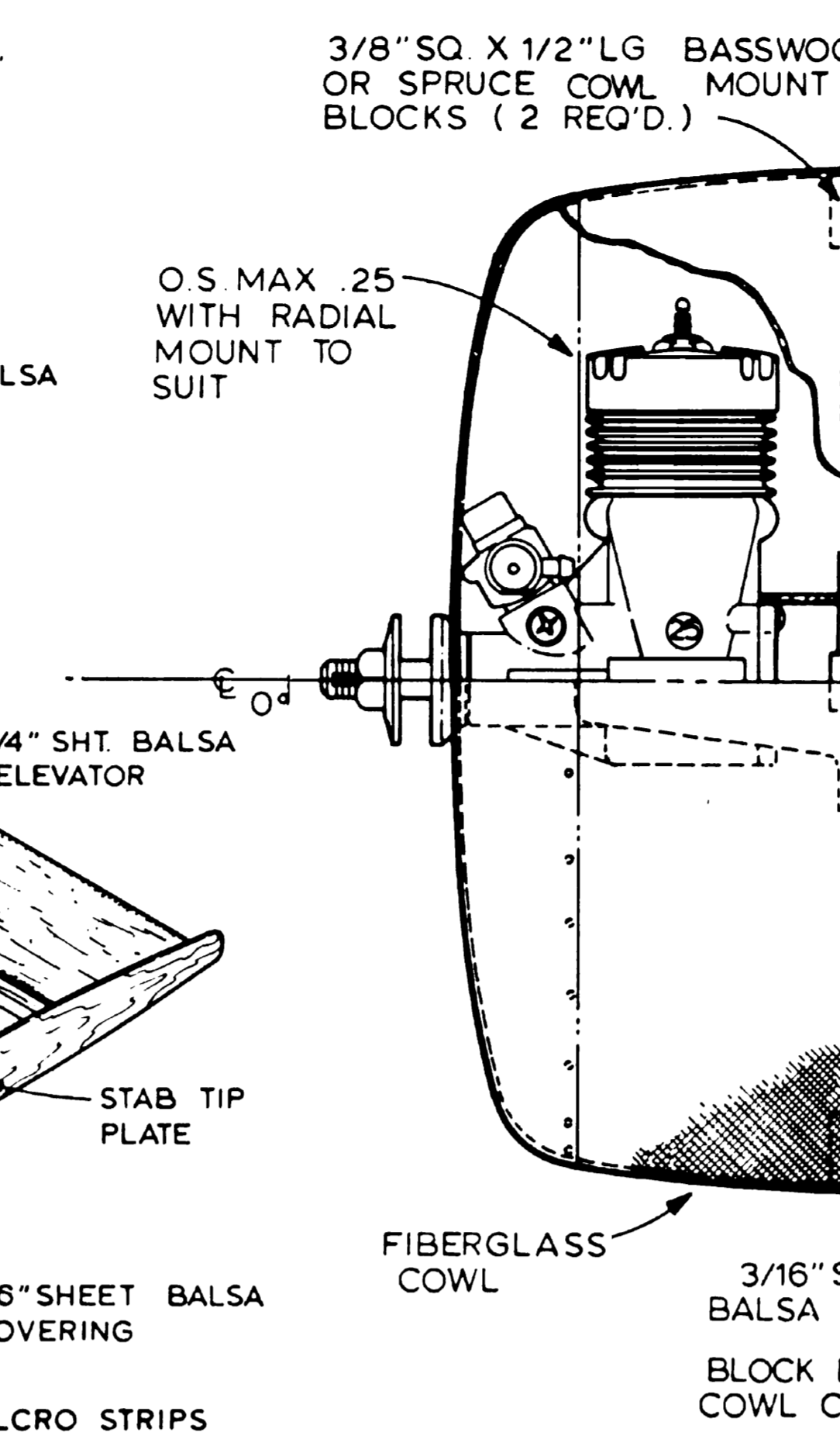
STEP-5

GLUE 1/64\"/>



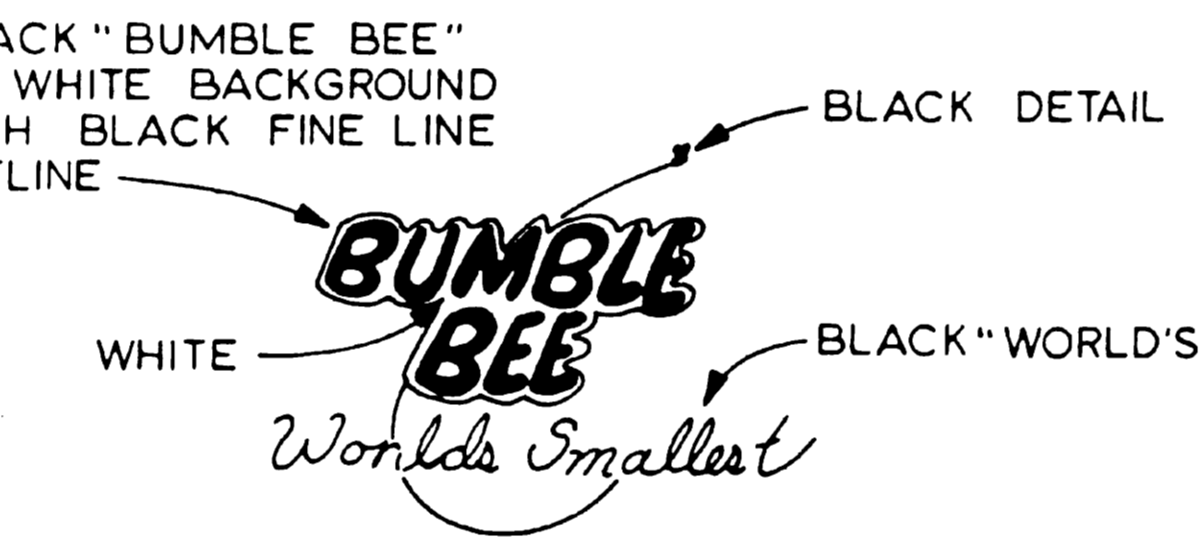
STEP-3

BRING BOTH SIDES TOGETHER, GLUE IN CROSS-MEMBERS AND CEMENT TAIL POST TOGETHER. ADD FORMERS F-2 AND F-4. AS SHOWN.



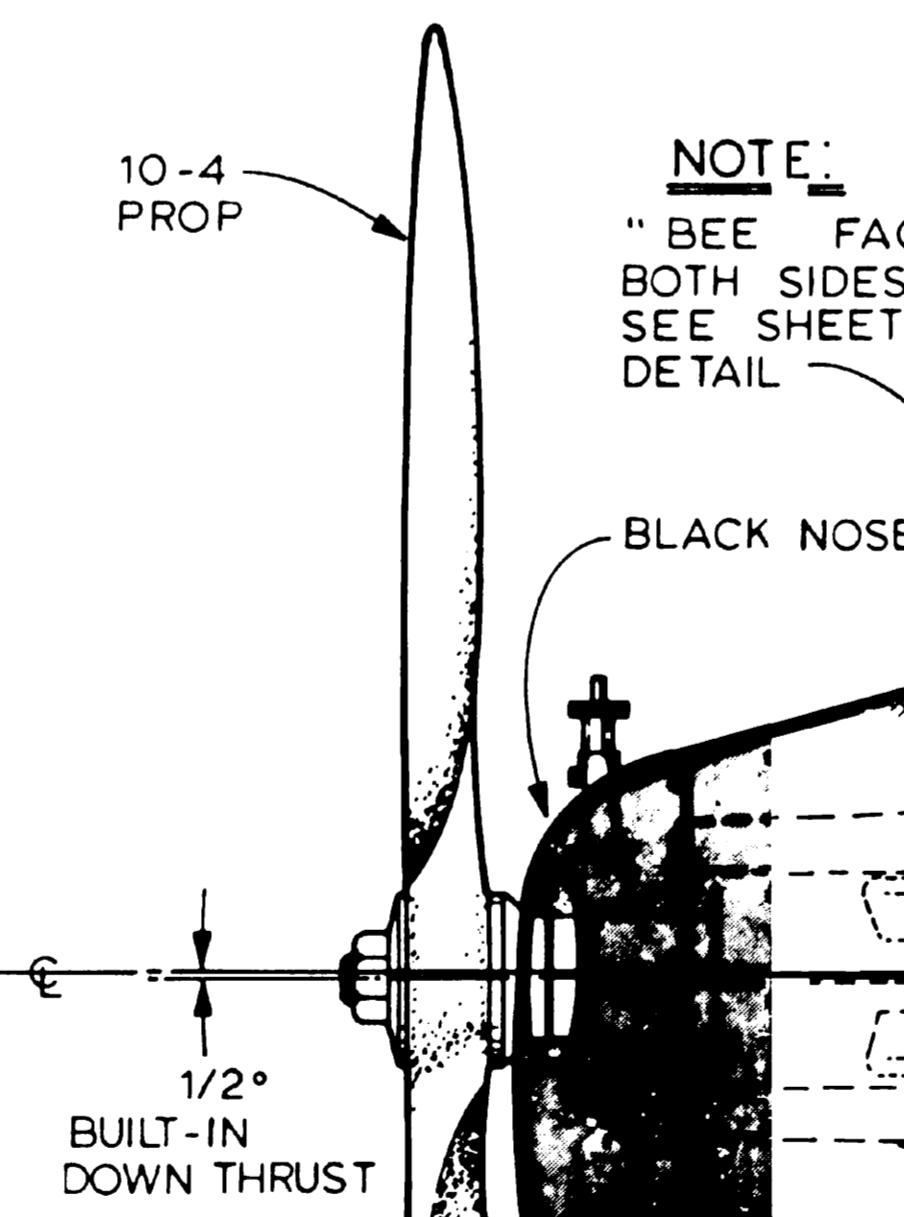
ENGINE

.15 TO .25 SIZE



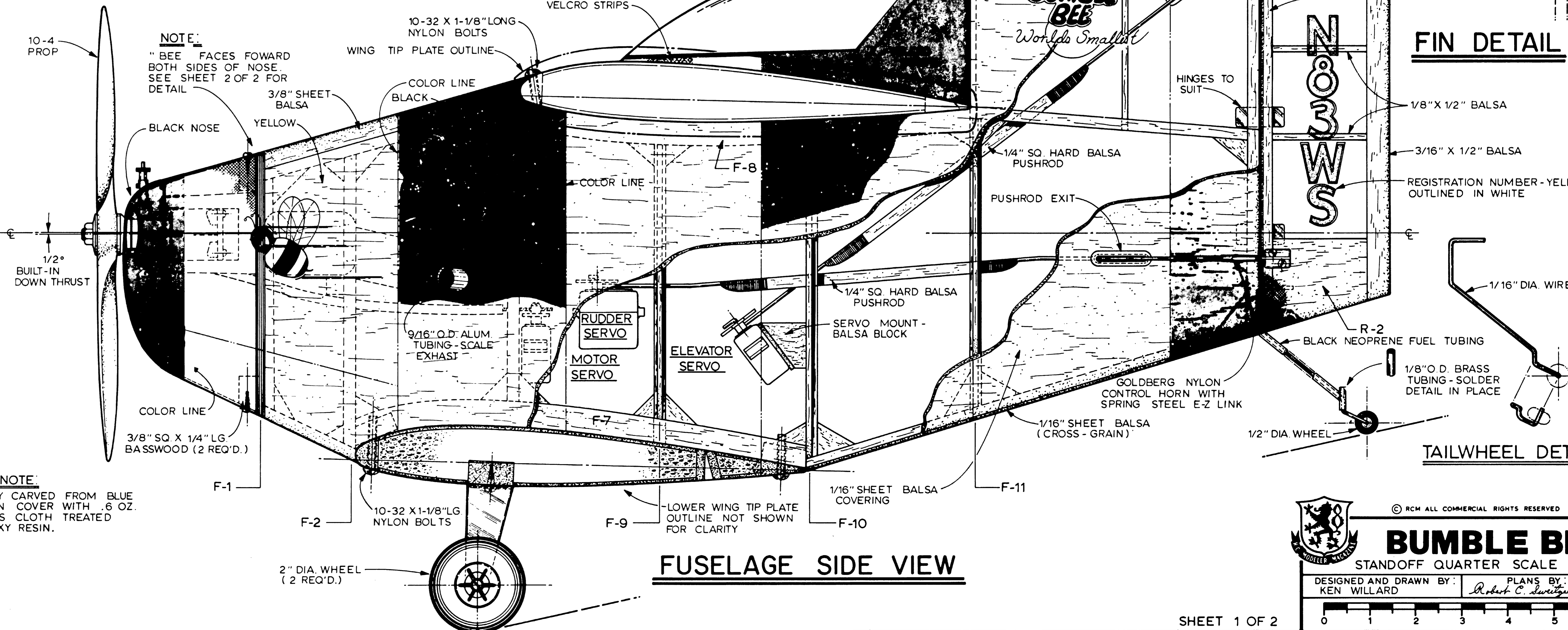
MARKING DETAIL A

DETAIL ON BOTH SIDES OF REAR FUSELAGE - SHOWN FULL SIZE



FUSELAGE PLAN VIEW

NOTE: \" BEE FACES FORWARD BOTH SIDES OF NOSE. SEE SHEET 2 OF 2 FOR DETAIL.



FUSELAGE SIDE VIEW

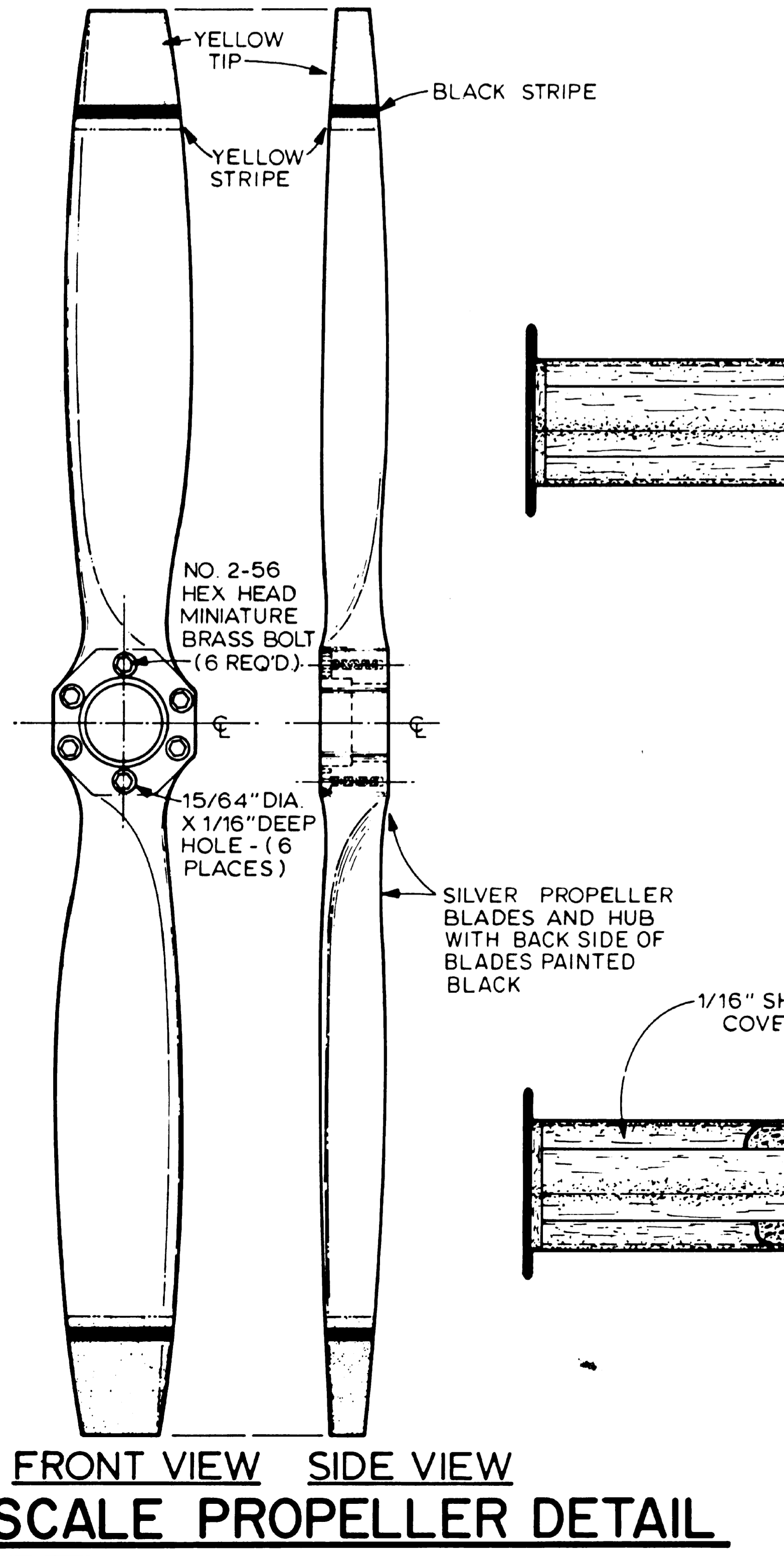
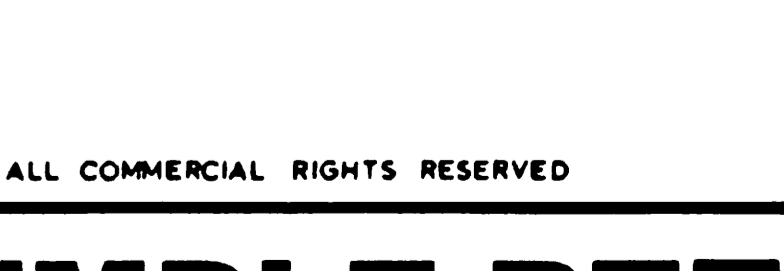
CONTROL SURFACES

ELEVATOR TRAVEL ----- 1/2\"/>

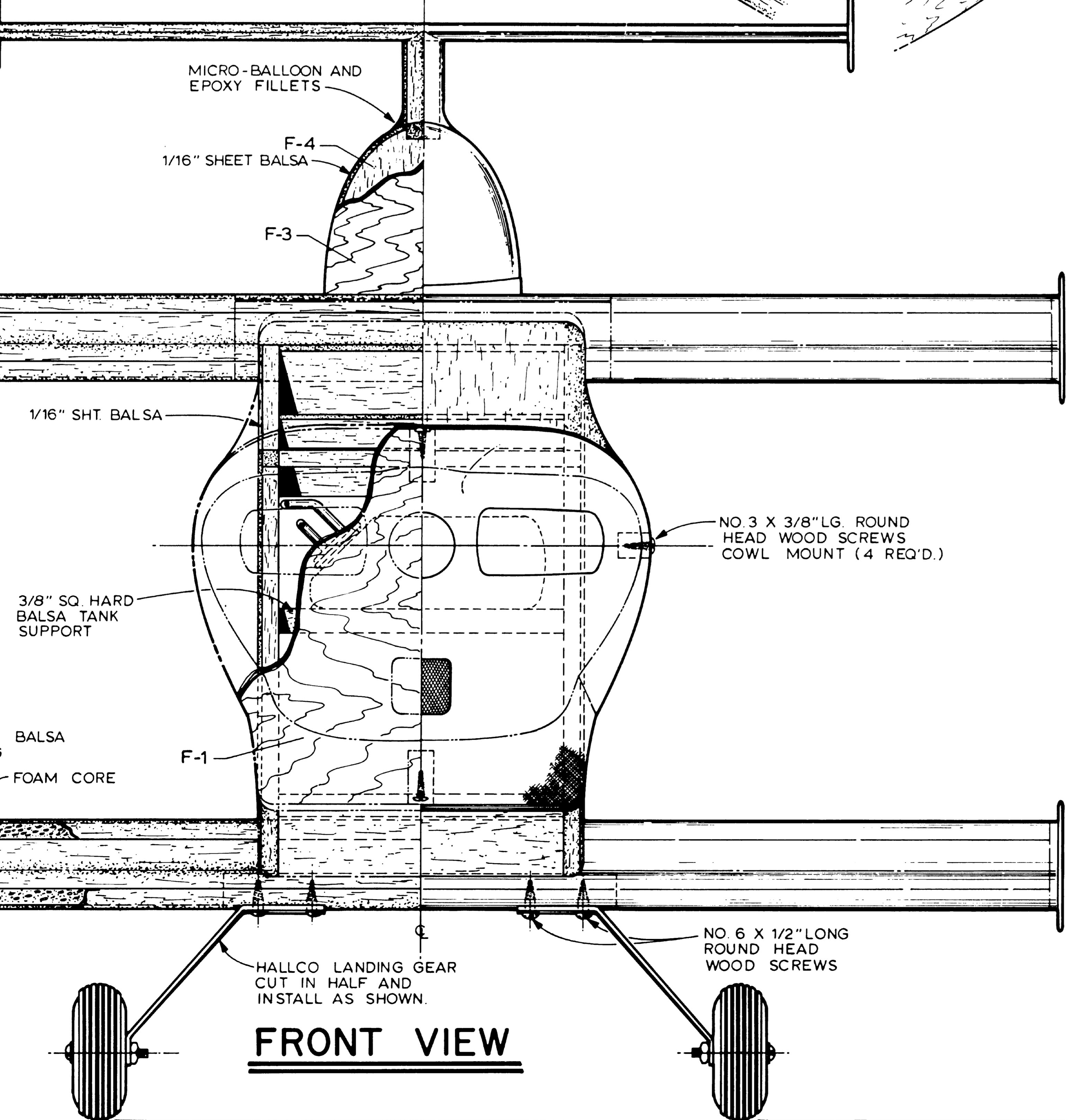
FIN DETAIL

STABILIZER OUTLINE
ELEVATOR TRAVEL ----- 1/2\"/>

TAILWHEEL DETAIL



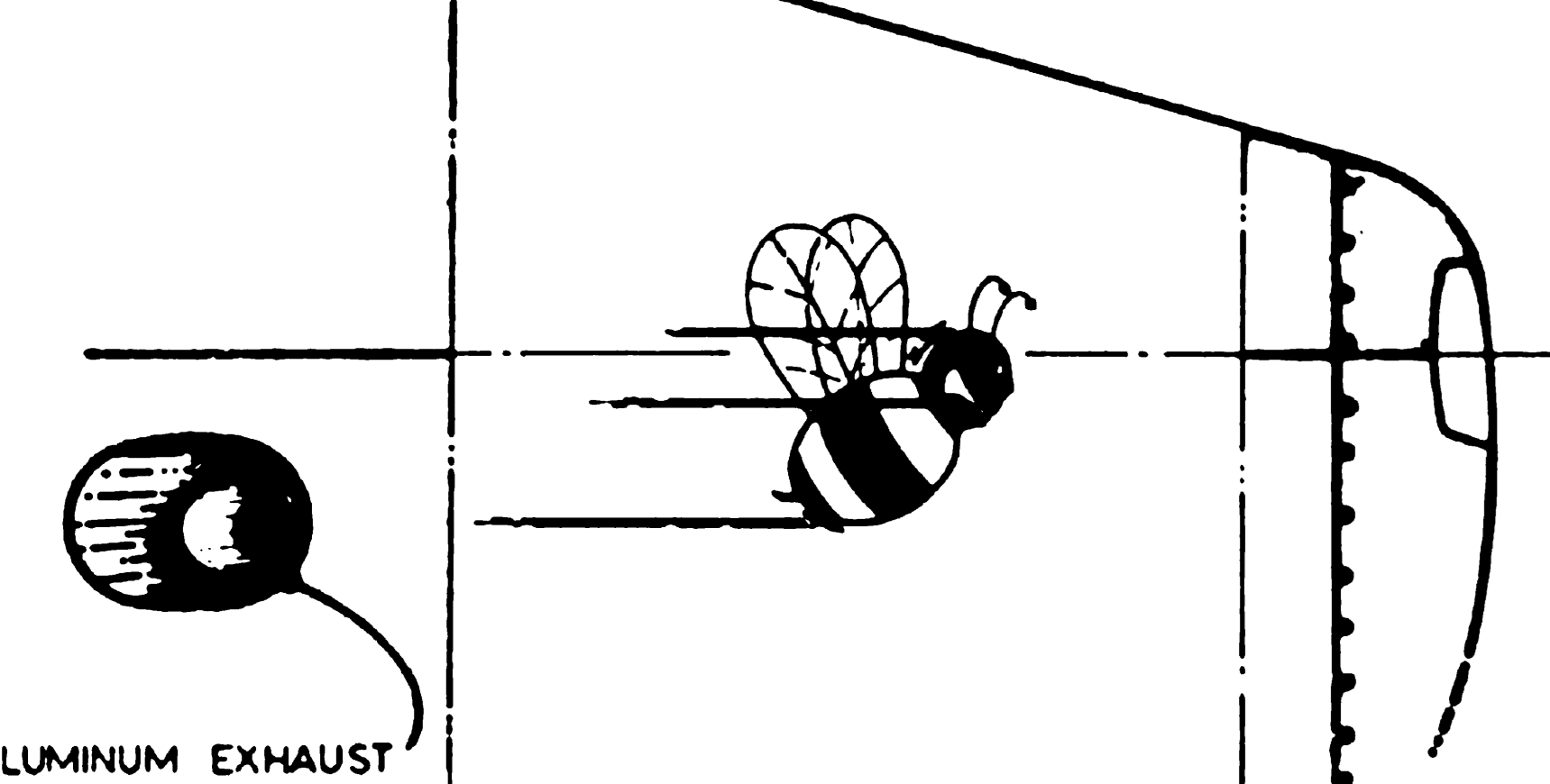
FRONT VIEW SIDE VIEW SCALE PROPELLER DETAIL



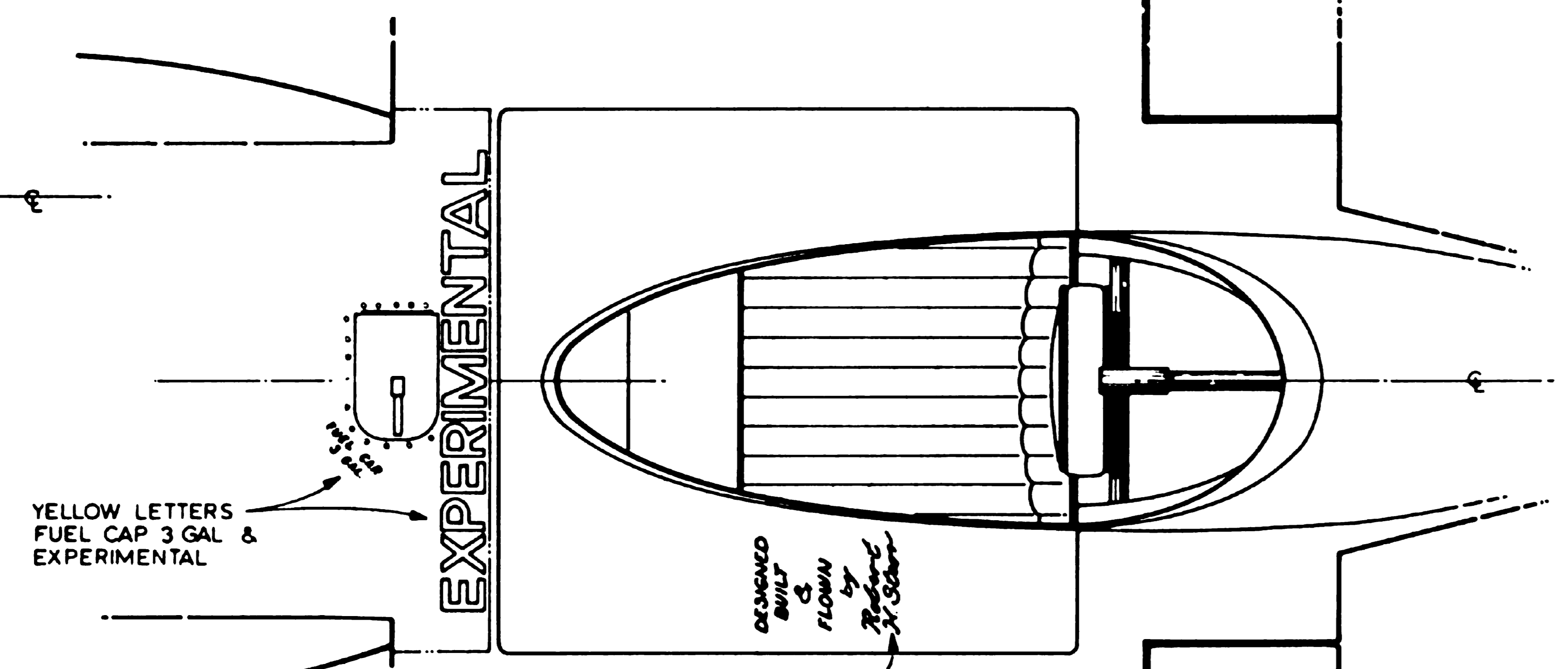
FRONT VIEW

COWL NOTE
COWL MAY BE CARVED FROM BLUE FOAM, THEN COVER WITH .6 OZ. FIBERGLASS CLOTH TREATED WITH EPOXY RESIN.

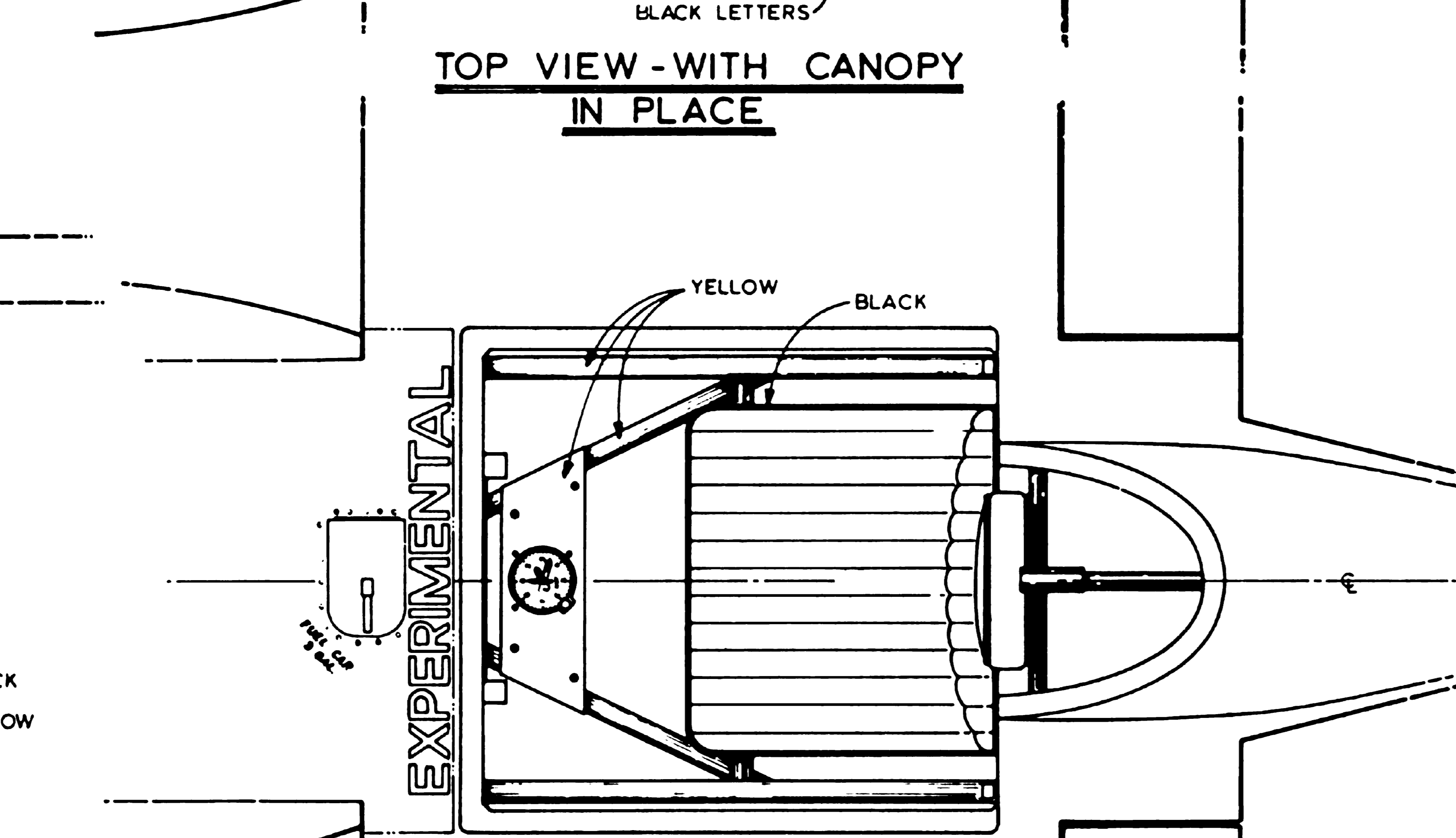
CANOPY NOTE
CANOPY MAY BE CARVED FROM BLUE FOAM, COVER FOAM WITH .6 OZ. OR 3/4 OZ. FIBERGLASS CLOTH TREATED WITH EPOXY RESIN. FOR SCALE DETAILS SEE SHEET 2 OF 2.



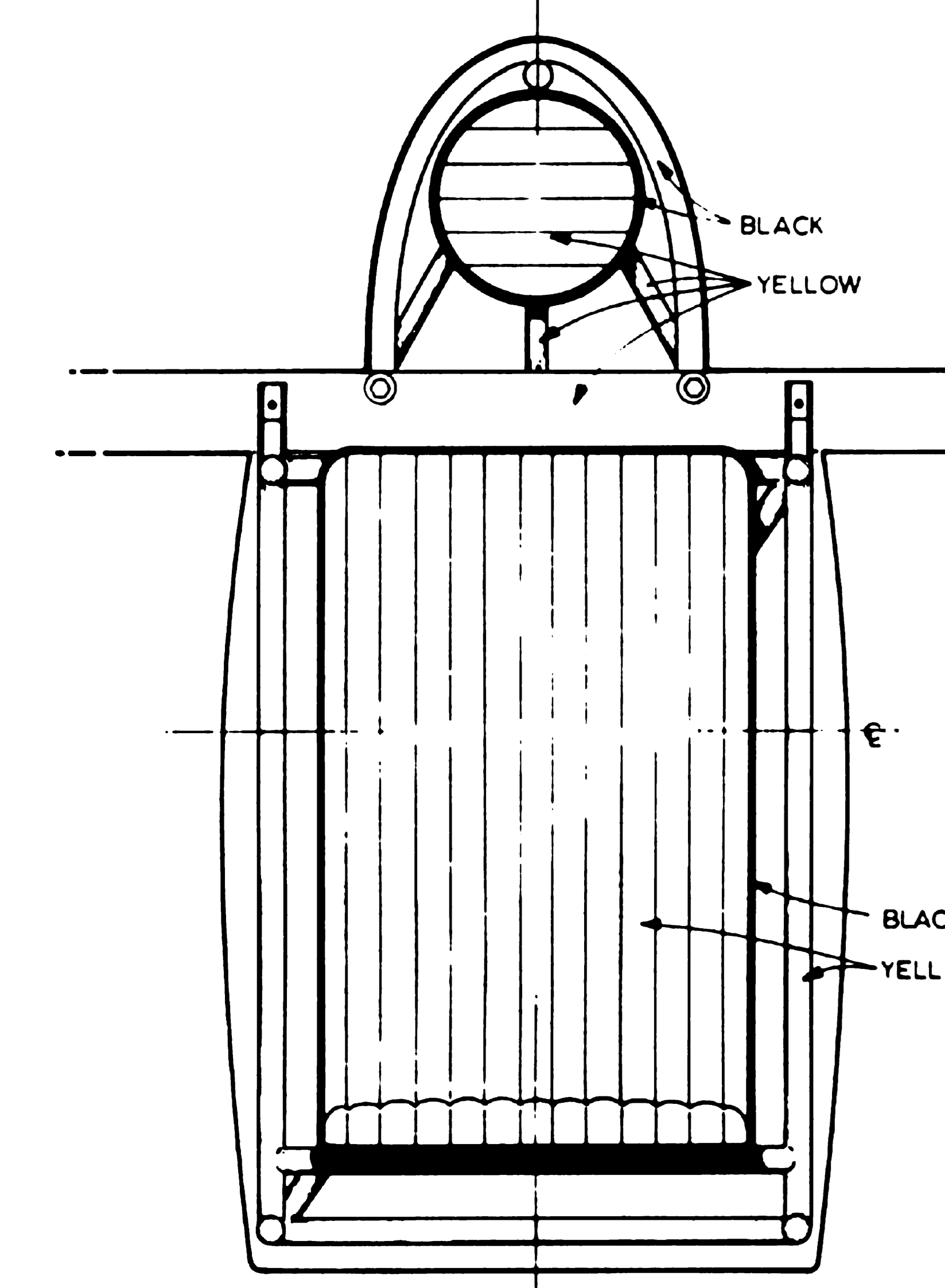
RIGHT SIDE NOSE DETAIL



TOP VIEW - WITH CANOPY IN PLACE



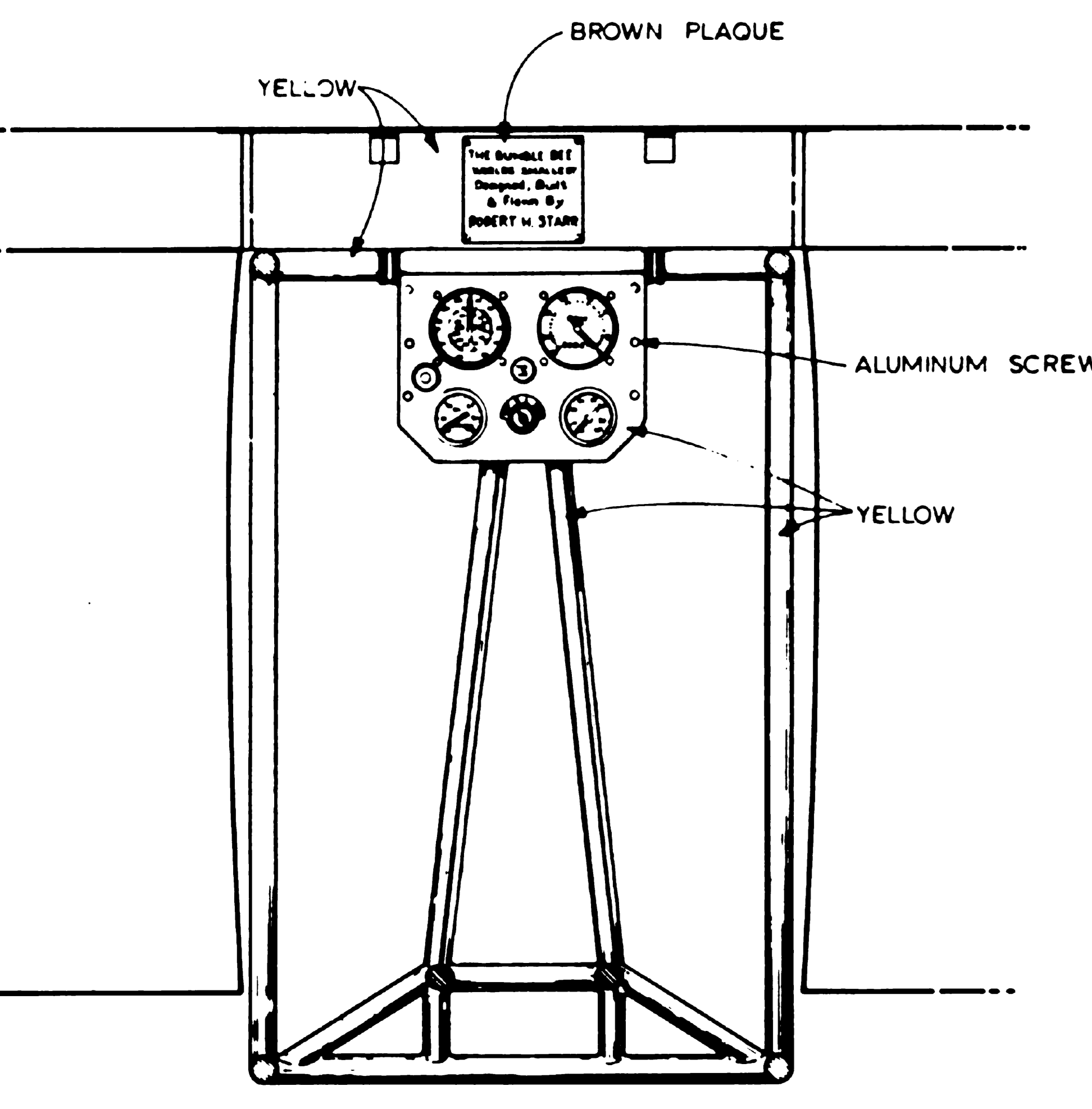
TOP VIEW - CANOPY REMOVED



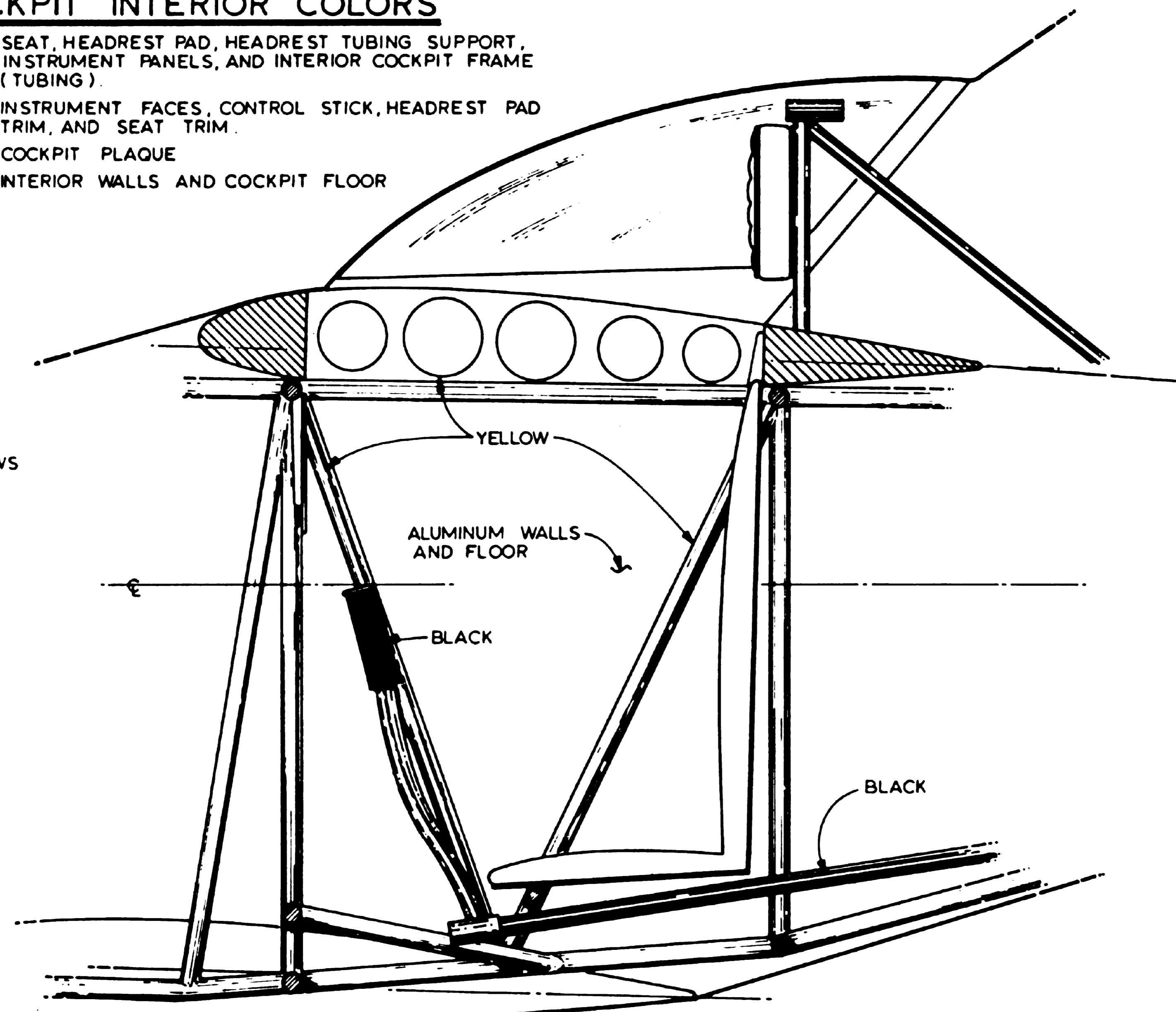
REAR VIEW

COCKPIT INTERIOR COLORS

- YELLOW --- SEAT, HEADREST PAD, HEADREST TUBING SUPPORT, INSTRUMENT PANELS, AND INTERIOR COCKPIT FRAME (TUBING)
- BLACK --- INSTRUMENT FACES, CONTROL STICK, HEADREST PAD TRIM, AND SEAT TRIM
- BROWN --- COCKPIT PLAQUE
- ALUMINUM --- INTERIOR WALLS AND COCKPIT FLOOR

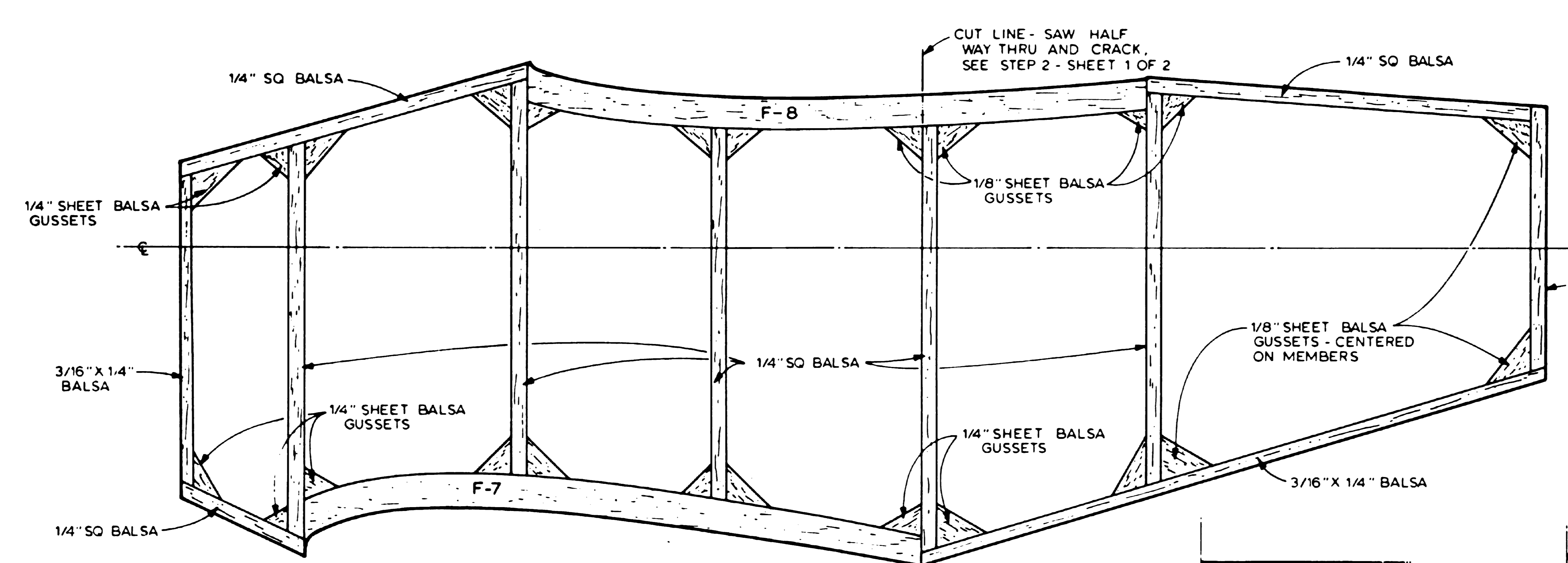


FRONT VIEW

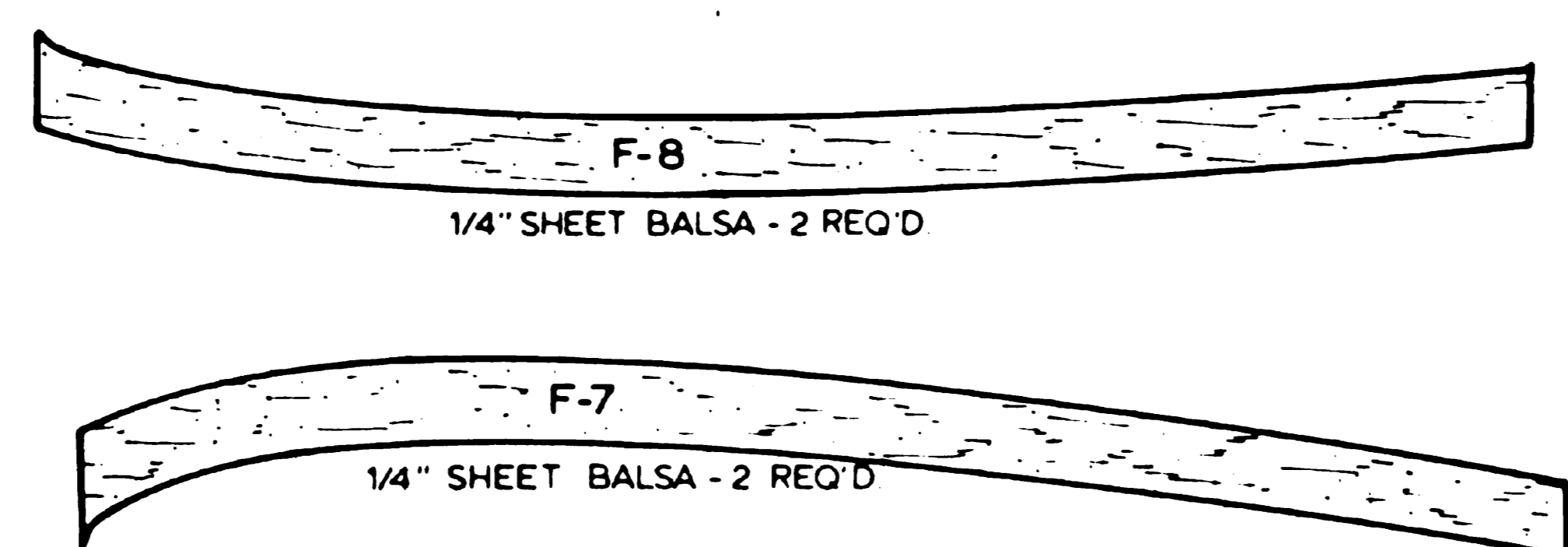
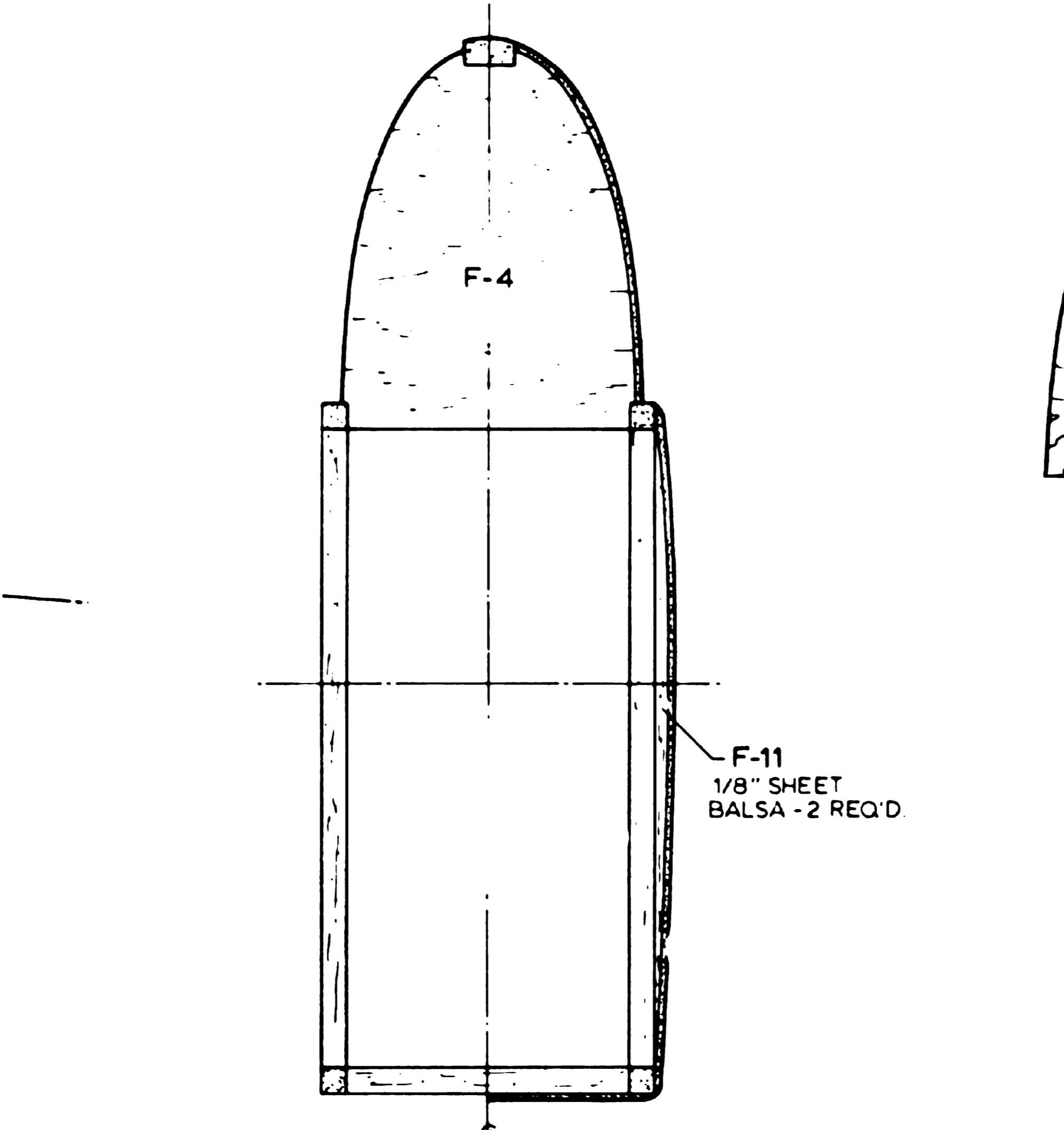
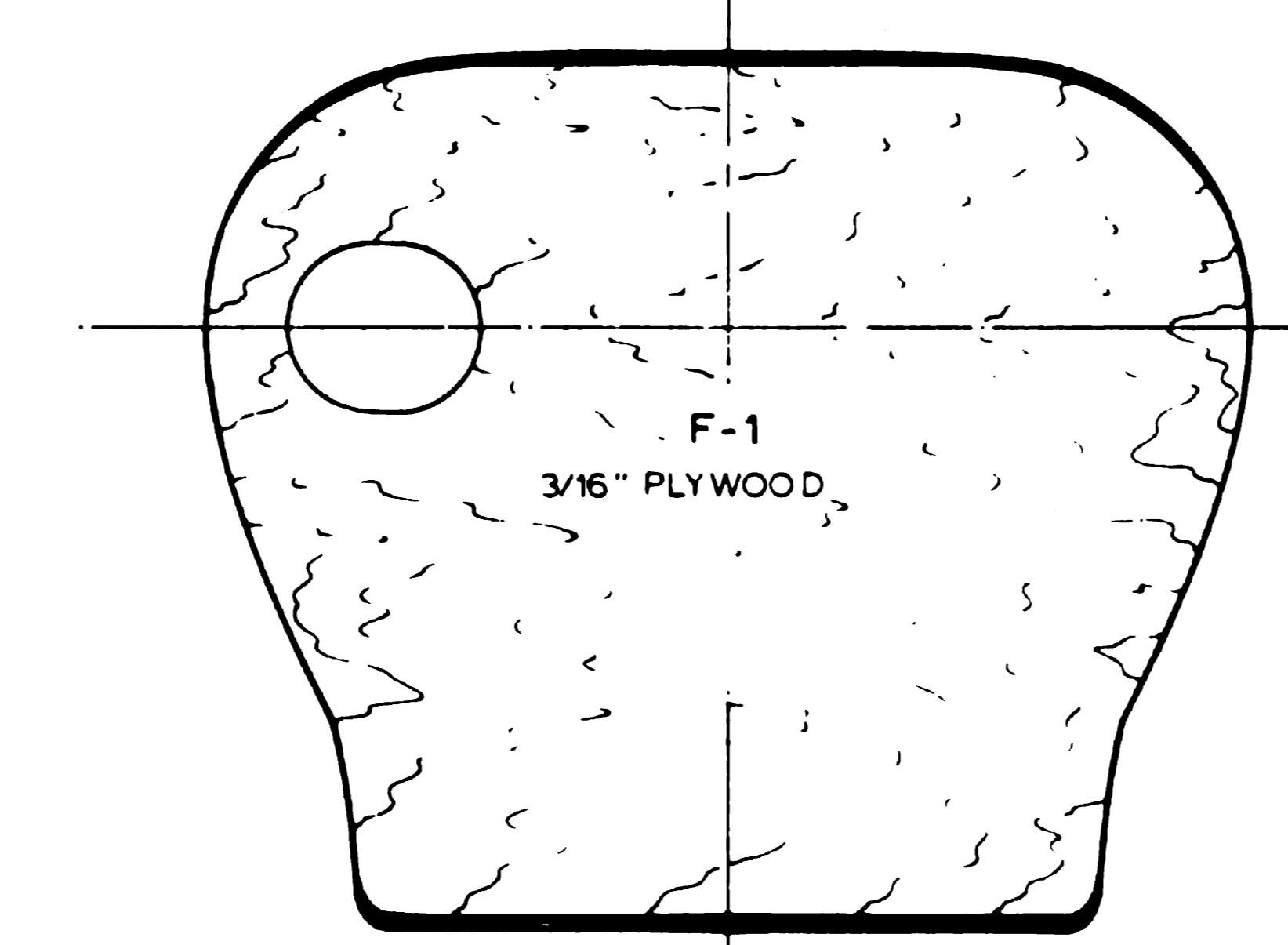


SIDE VIEW

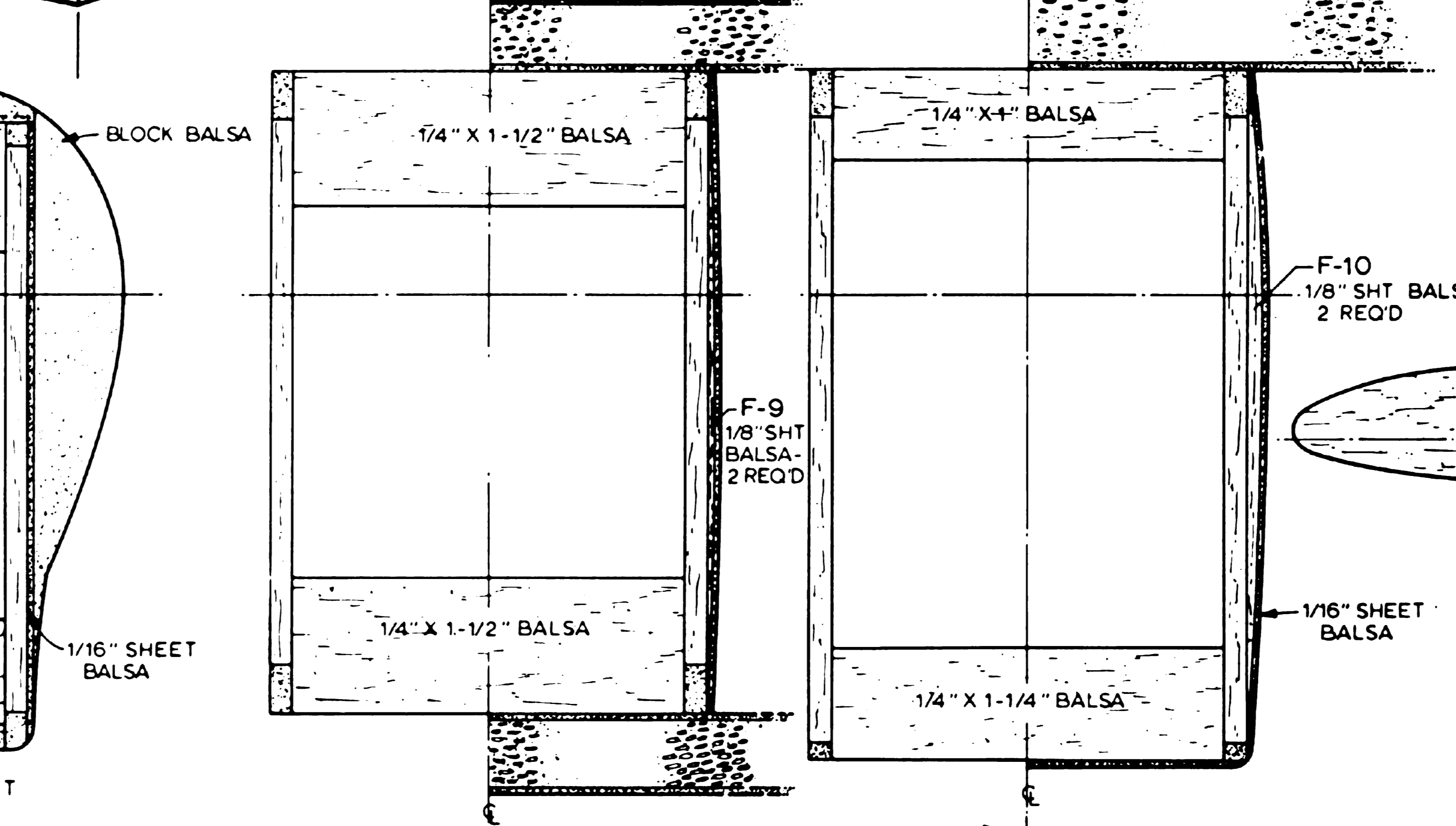
SCALE COCKPIT DETAIL



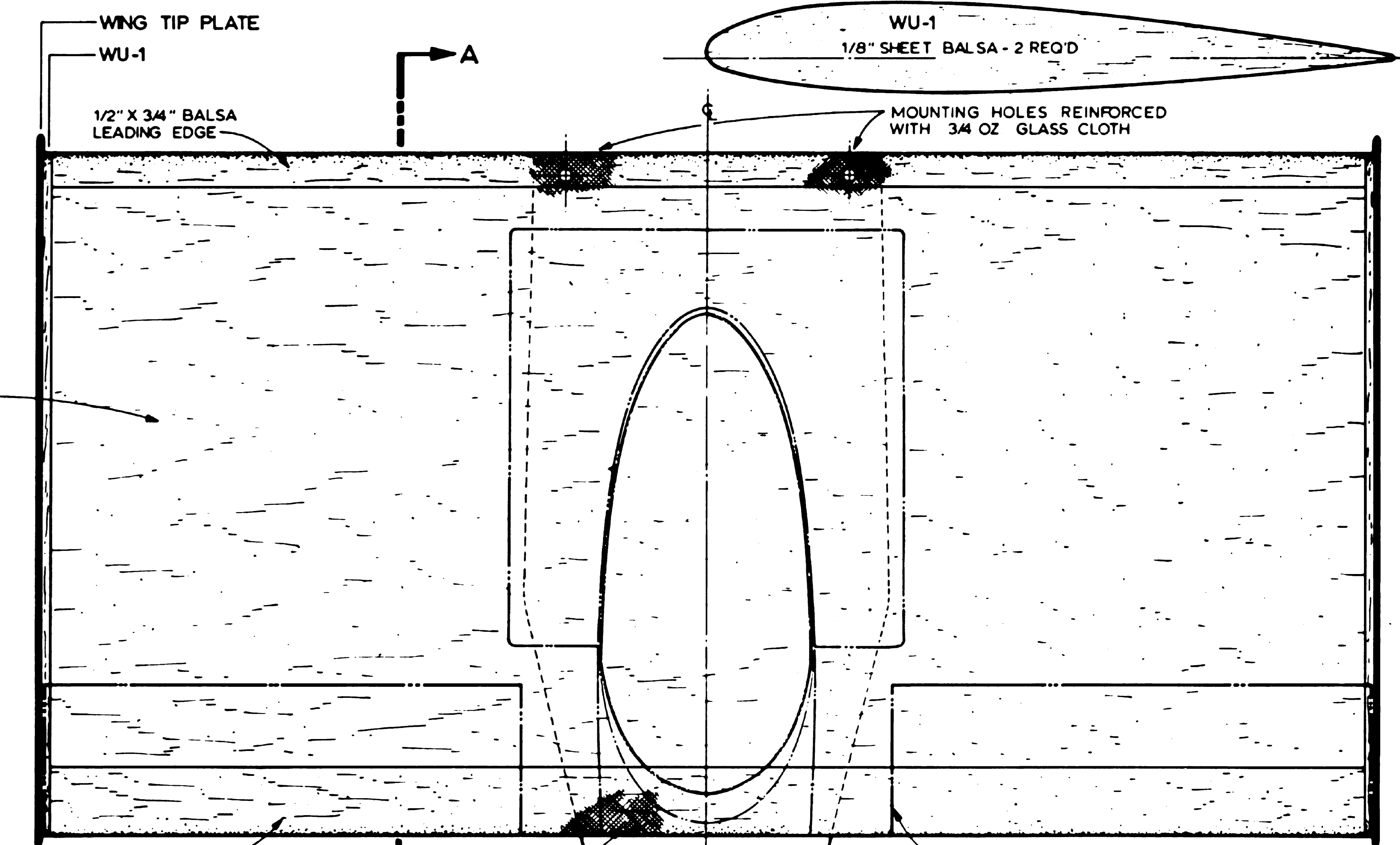
FUSELAGE SIDE FRAME PLAN



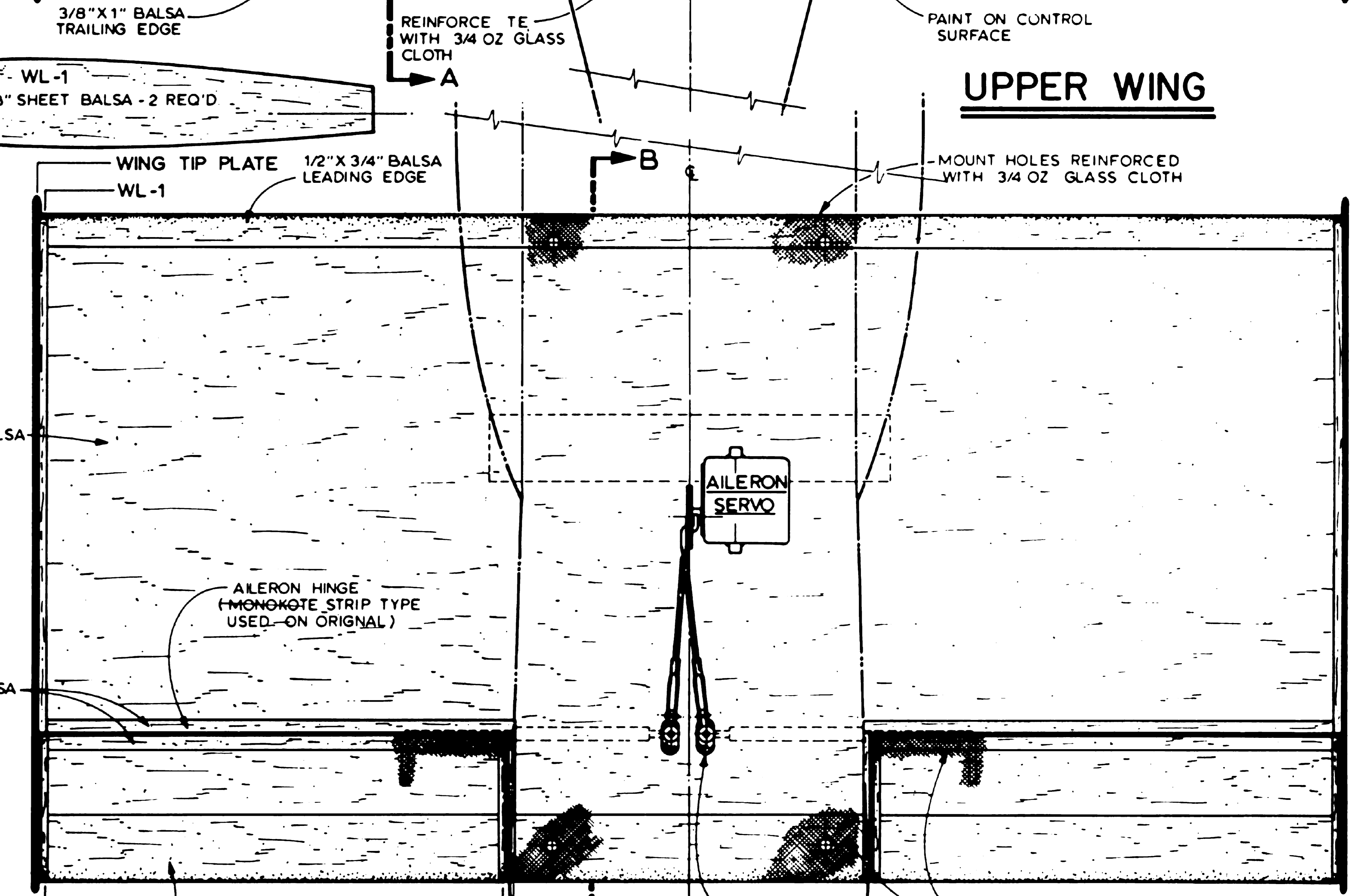
FUSELAGE FORMERS



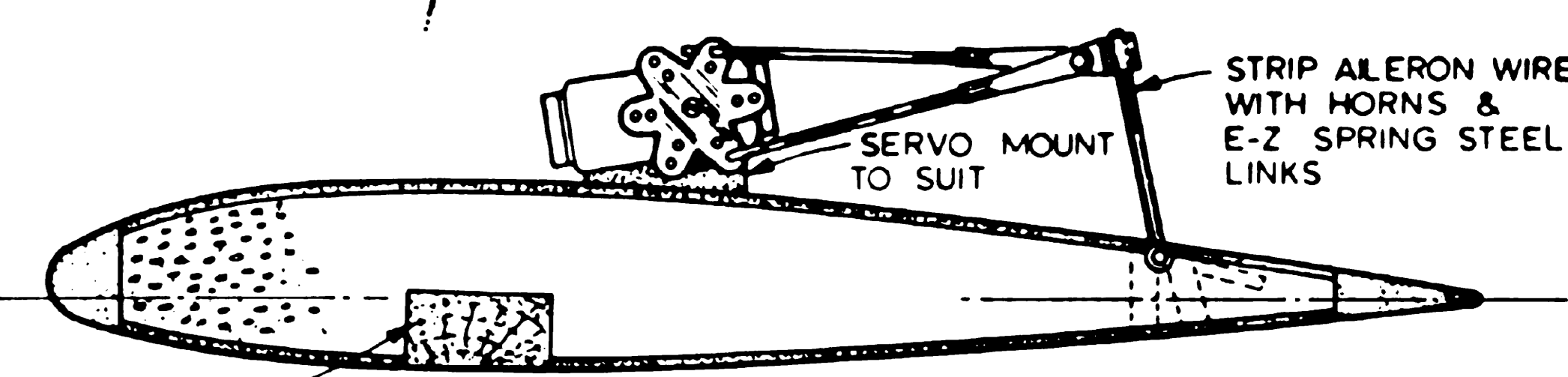
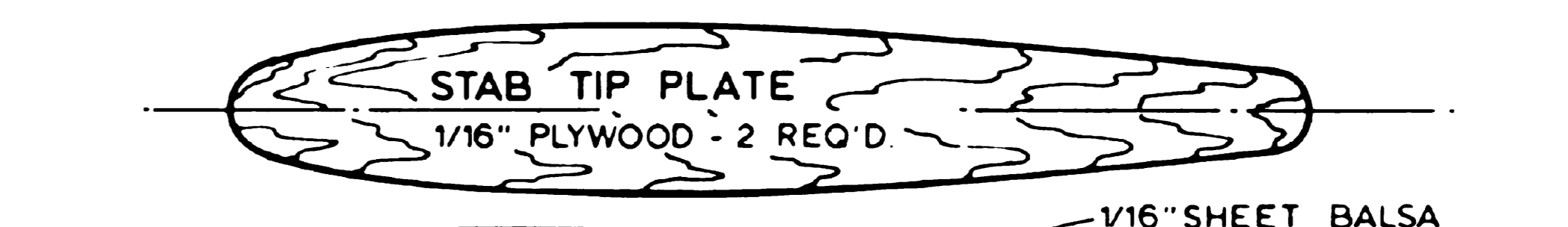
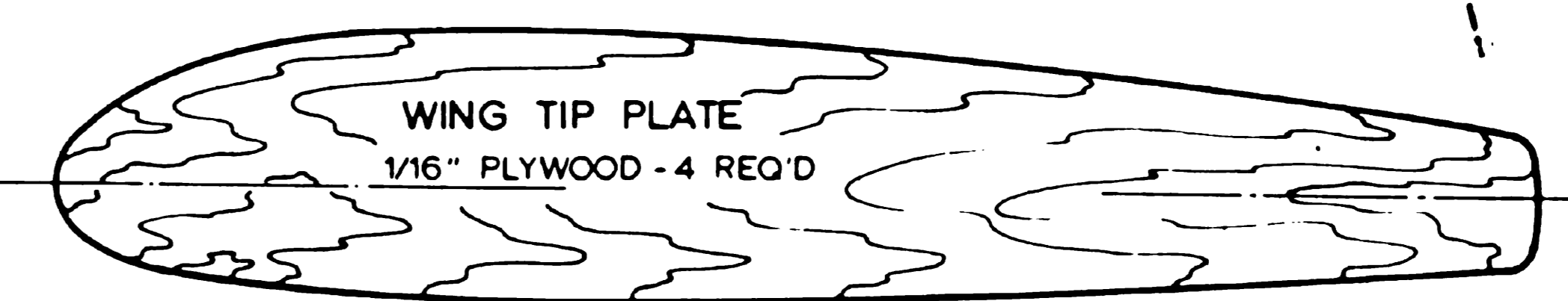
STABILIZER & ELEVATOR



UPPER WING



BOTTOM WING



© PCM ALL COMMERCIAL RIGHTS RESERVED

BUMBLE BEE

STANDOFF QUARTER SCALE

DESIGNED AND DRAWN BY *Robert C. Smith*

PLANS BY *Ken Willard*

0 1 2 3 4 5 6

SHEET 2 OF 2

PLAN NO. 1015