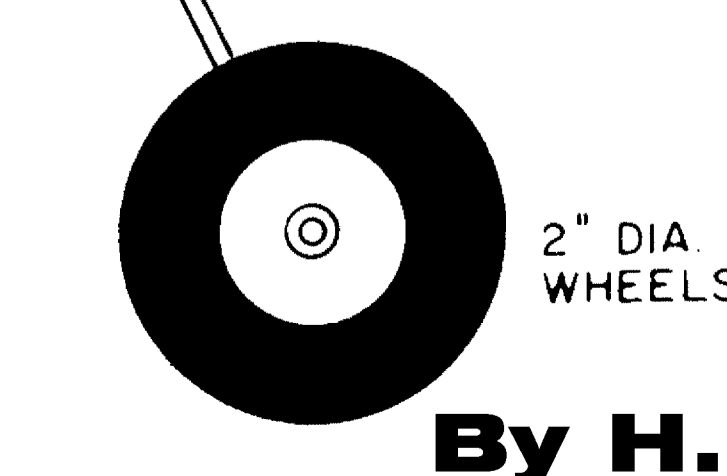
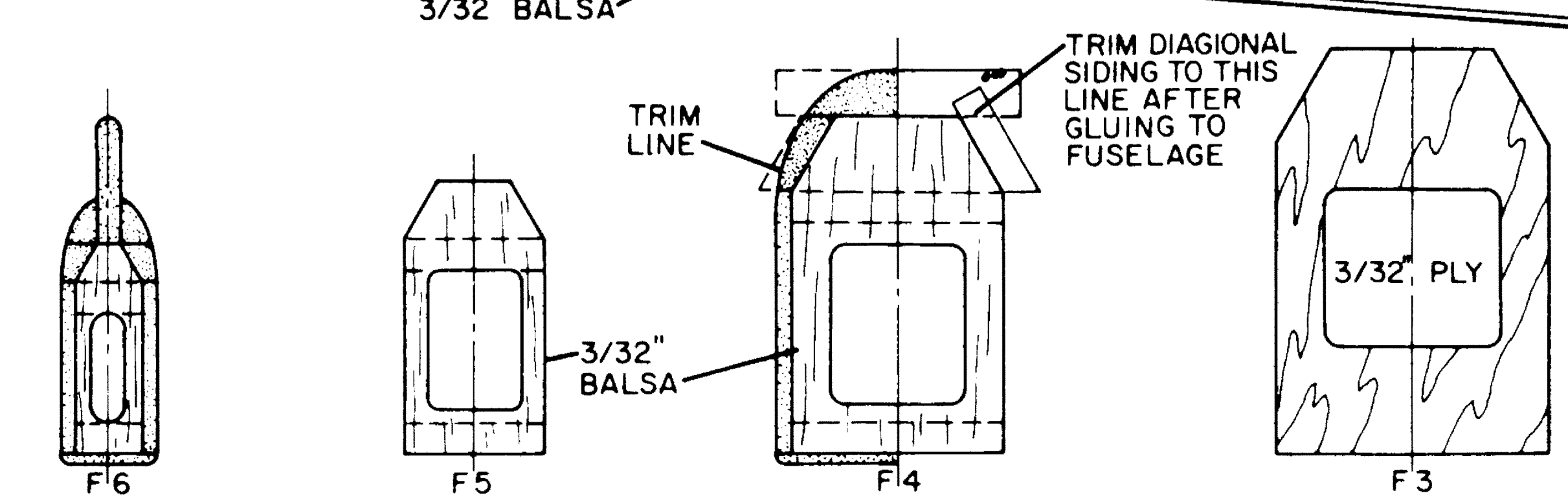


**EQUIPMENT USED IN ORIGINAL**  
 KRAFT GOLD MEDAL SERIES  
 KPS 10 SERVOS  
 225 MAH BATTERY PACK  
 O.S. MAX .19 R/C  
 8" X 6" PROP  
 SUPER MONOKOTE COVERING  
 TATONE MOTOR MOUNT  
 GOLDBERG CONTROL HORNS  
 4 OZ. SULLIVAN TANK

WING SPAN = 44-1/2"  
 WING AREA = 356 SQ. IN.  
 LENGTH = 37-1/2"  
 WEIGHT (EMPTY TANK) = 2-1/4 LBS.



# BOKKIE

DESIGNED BY	H ALLAN	DRAWN BY	DICK KIDD
-------------	---------	----------	-----------

**By H.E.**