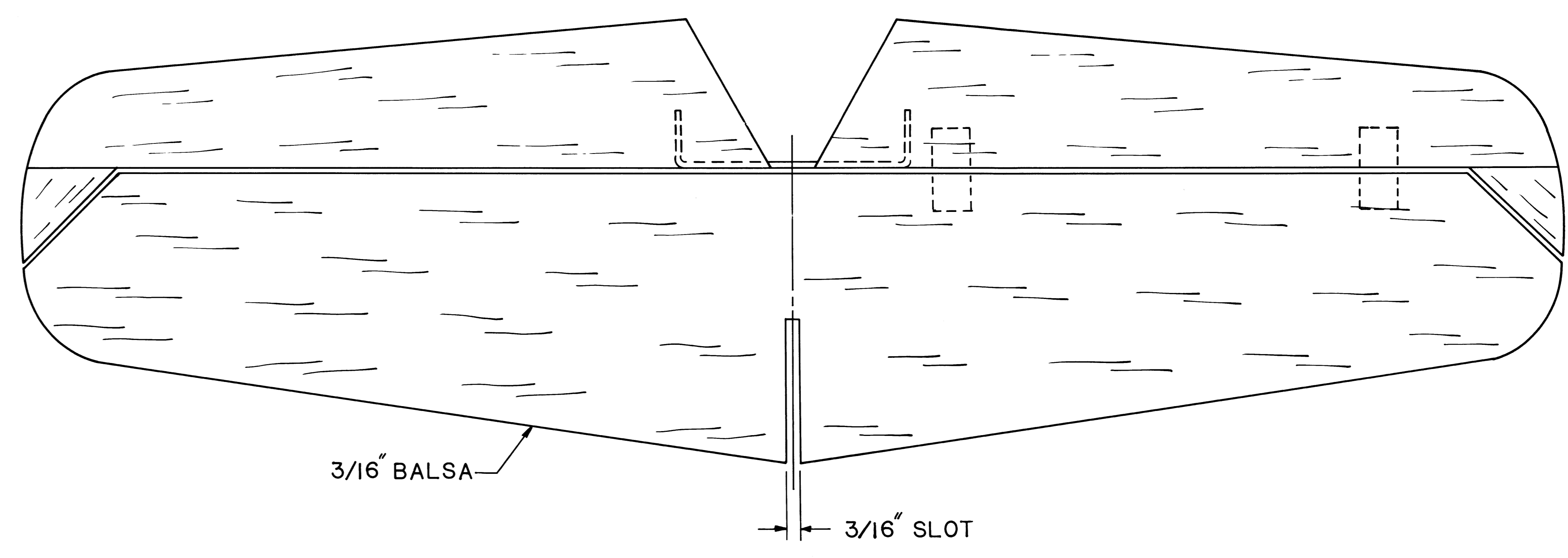


CANOPY FRAMEWORK
MADE FROM 1/16" PLY



3/16" Balsa

3/16" SLOT

RADIATOR
UNDER BOTH
WINGS

FILL WITH 5 MIN
EPOXY AND SAND TO
SHAPE

MICRO-BALLOON FILLETS

2 SHEET METAL
SCREWS

1/2" Balsa
AIR SCOOP

1/4" X 1/4" HARDWOOD
COWL SECURING
BLOCKS

FEED ANTENNA
THRU NYROD

NYROD INNER TUBE
EPOXY TO 1/16" PLY
AND OPP END TO
ONE SIDE OF FUS

1/16" PLY

5 MIN EPOXY
ALL AROUND

3/16" Balsa

SLOT FIN TO HERE

1/4" TRIANGULAR
STOCK BOTH
SIDES

2-3/4" DIA. TATONE
SPINNER MODIFIED

1/4" X 1/8" PLANKING

1/8" PLANKING

T.E. STOCK
BOTH SIDES

1/8" X 1/4" PLANKING

3/16" SQ STOCK
BOTH SIDES
OF FIN ON F8

1-1/4"

5 MIN
EPOXY

T.E. STOCK
BOTH SIDES

AIRSCOOP
OUTLINE

1/4" X 1/4" SERVO
RAILS

KPS 12
SERVOS
SHOWN

GOLDEN RODS
USED ON RUD
ELEV & THROTTLE

1/8" PLY

BEER CAN
ALUMINUM

EXTEND FIN
TO BOTTOM

1/16"
PIANO WIRE

HORIZ STAB
BRACES MADE
FROM SCRAP
T.E. STOCK

1" DIA. TAIL WHEEL

GOLDBERG TAILWHEEL
BRACKET NO. TB-1

KRAFT
KM-40 MOUNT

K&B .40

FIBERGLASS
COWL

1/4" X 1/8" PLANKING

SCRAP

RADIATORS
3" X 3" X 3/8" Balsa

1/8" Balsa
DOUBLER
TO HERE

EPOXY WING HOLD
DOWN BLOCKS TO
BOTH SIDES

WING SPAN...54 IN.
WING AREA...482 SQ. IN.
LENGTH...43 IN.
ENGINE...40 TO .50
WEIGHT...5 LBS.

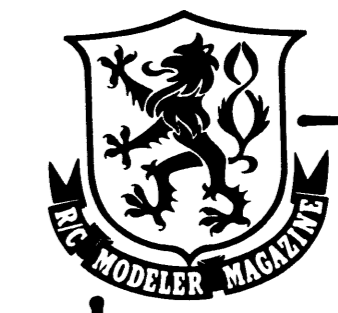
1/2" Balsa

2-9/16" DIA
C.G. WHEELS

10-32 NYLON
SCREWS

LEFT SIDE OMITTED FOR CLARITY

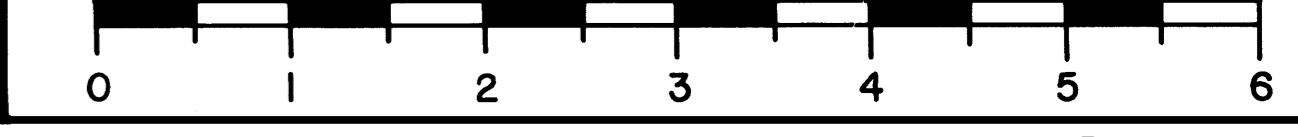
SHEET 1 OF 2

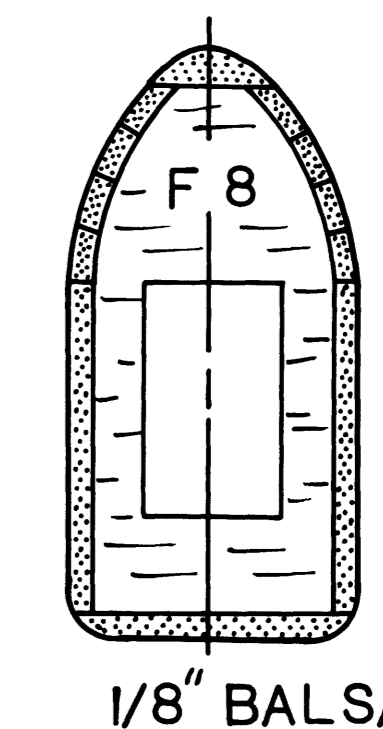
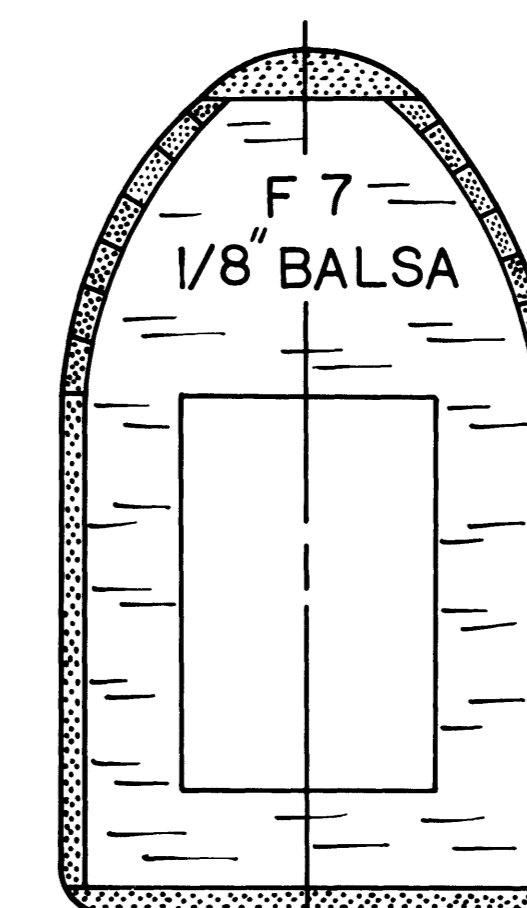
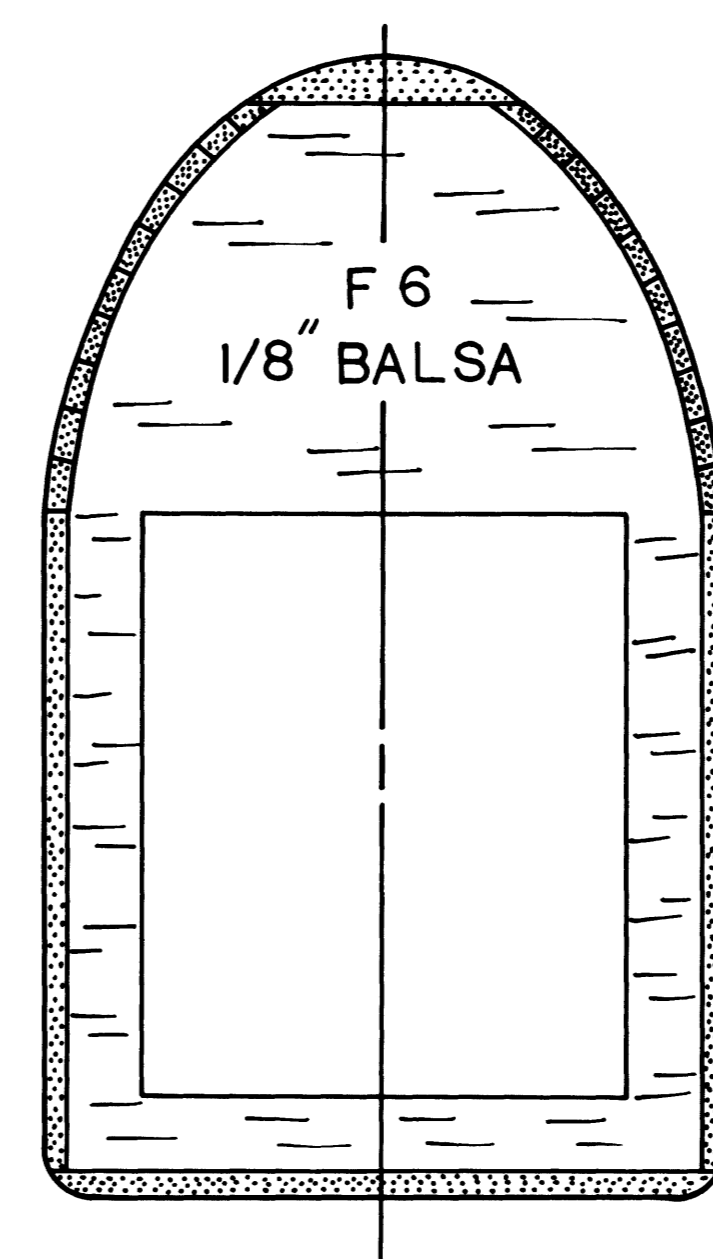
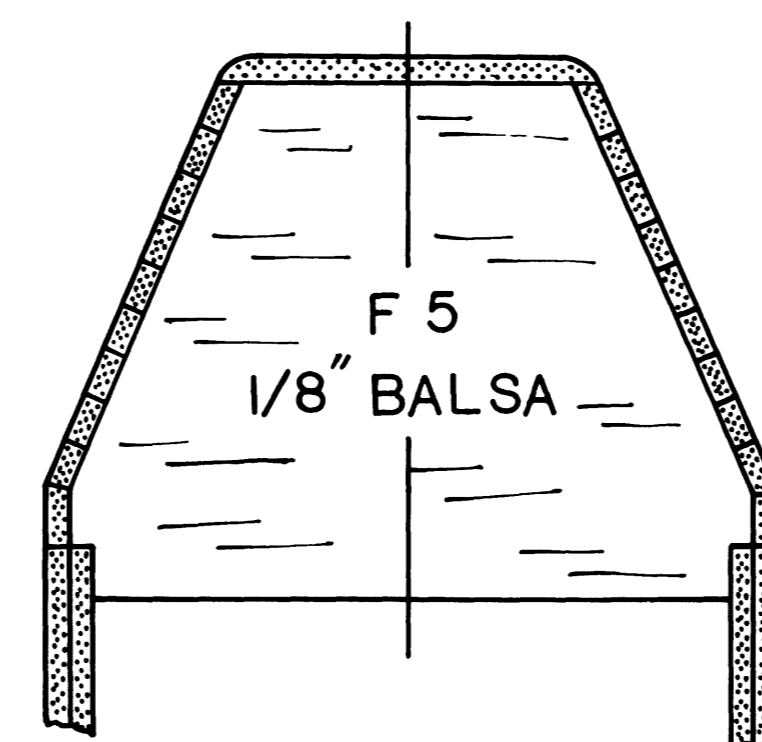
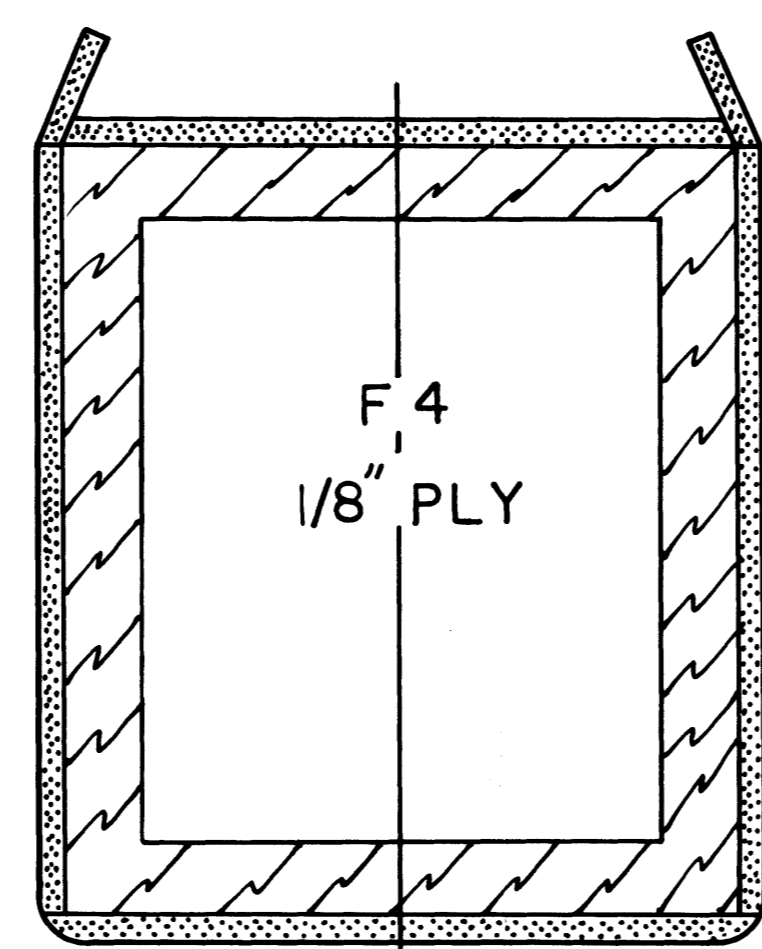
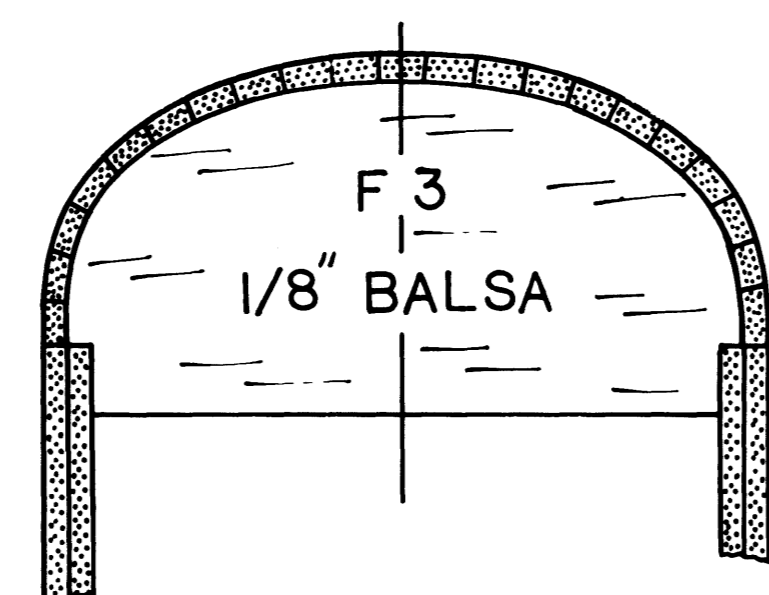
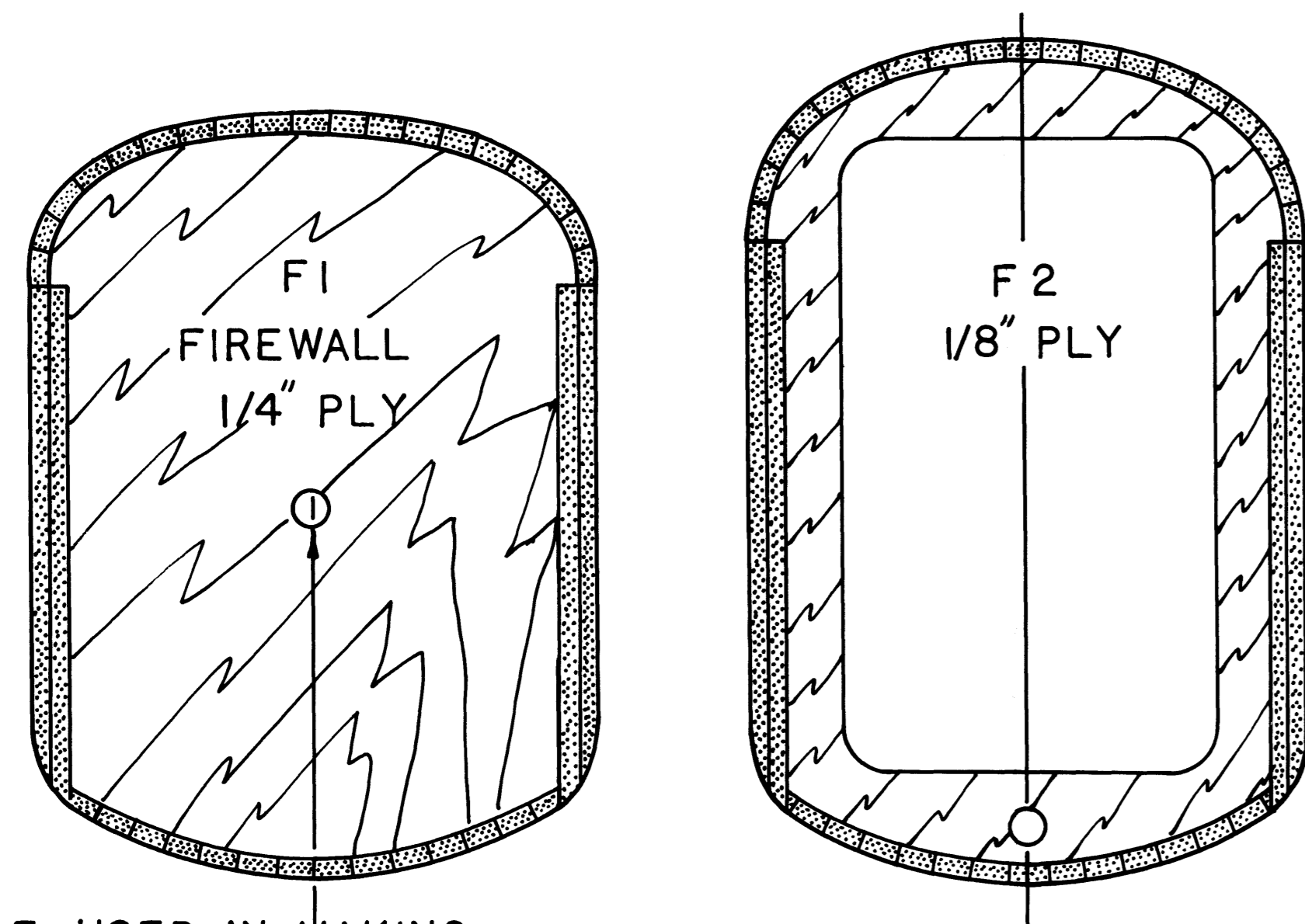


©RCMAA ALL COMMERCIAL RIGHTS RESERVED

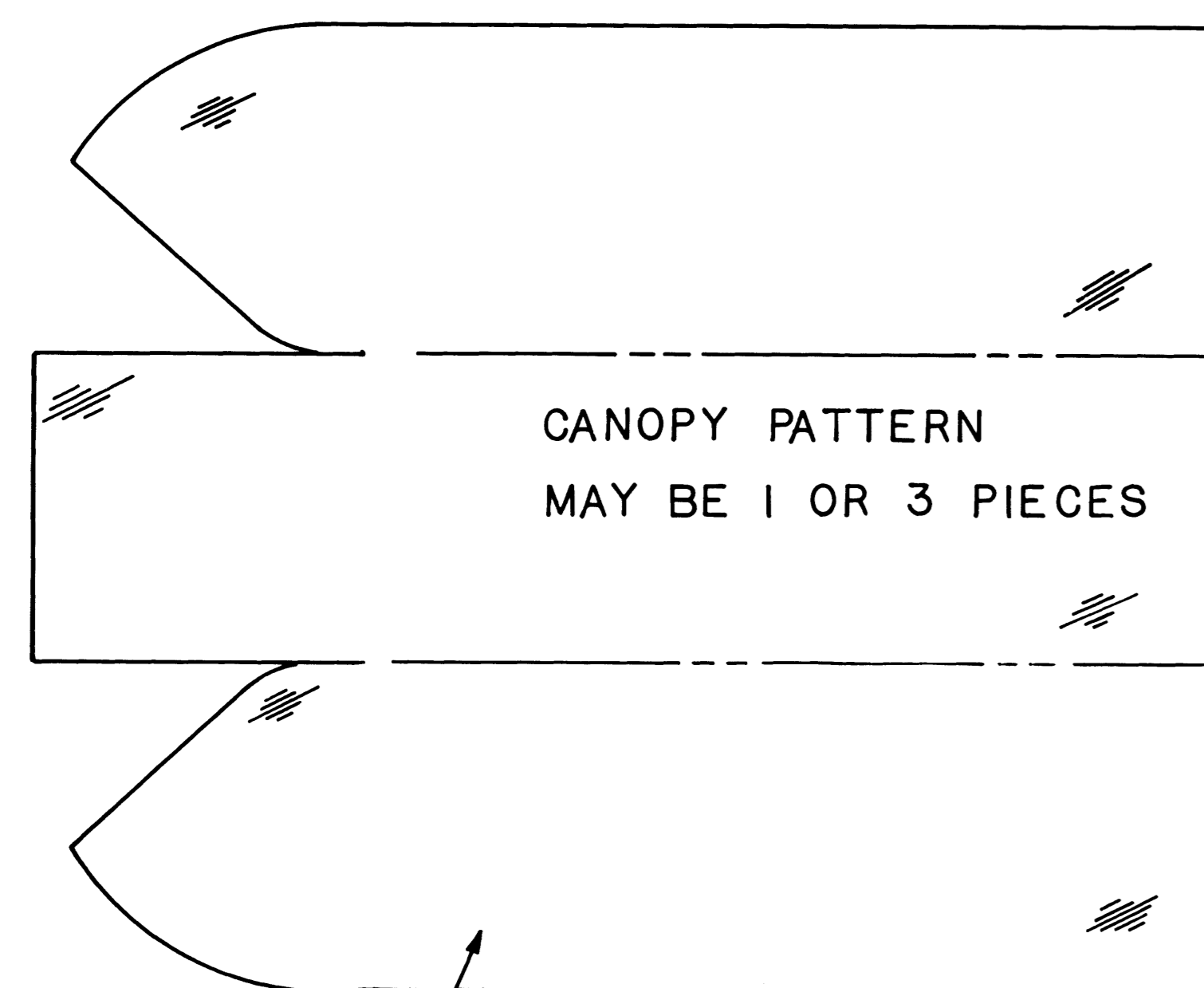
BF-109E

DESIGNED & DRAWN BY CARL LONGFELLOW INKED BY CHUCK FELTON

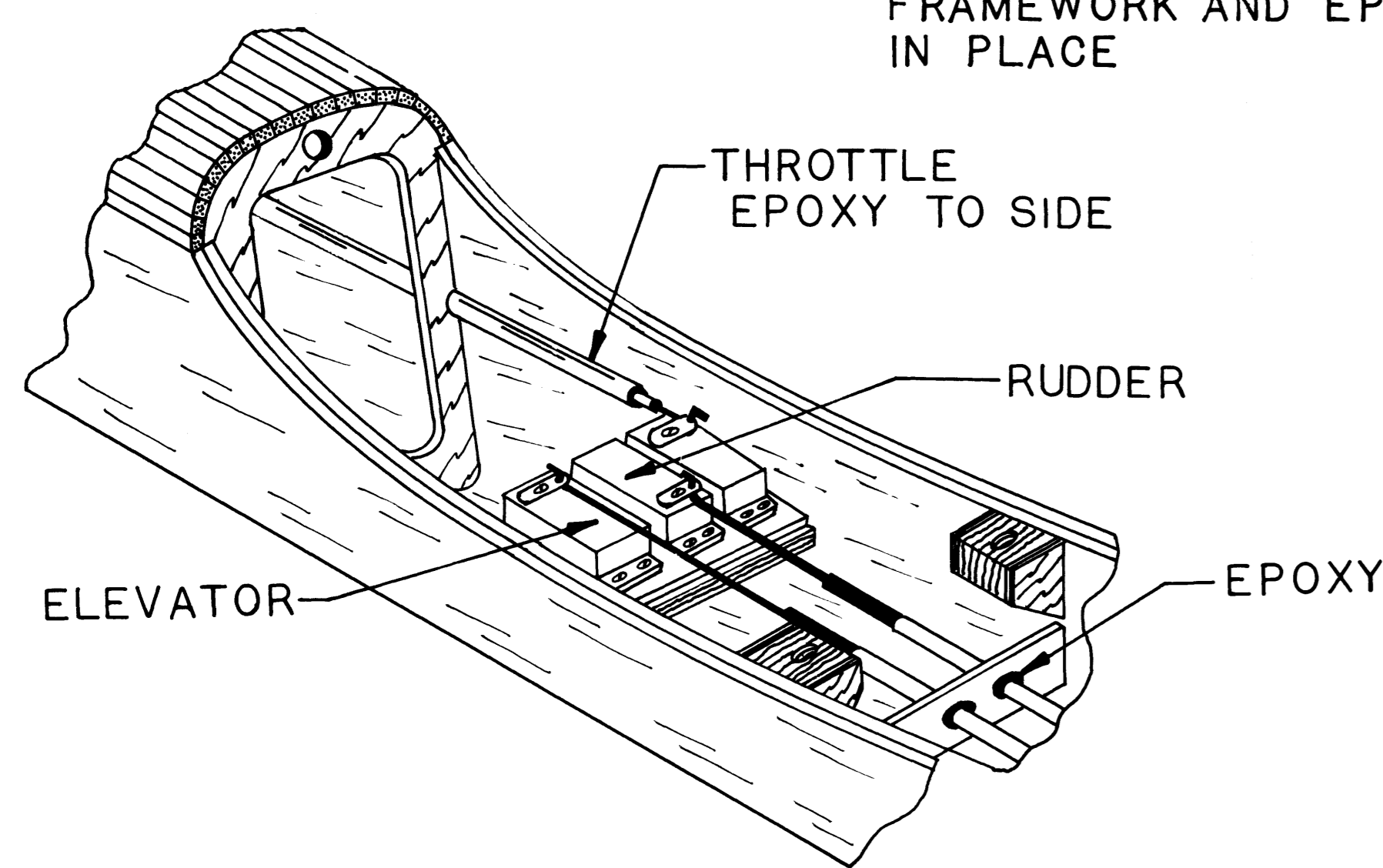
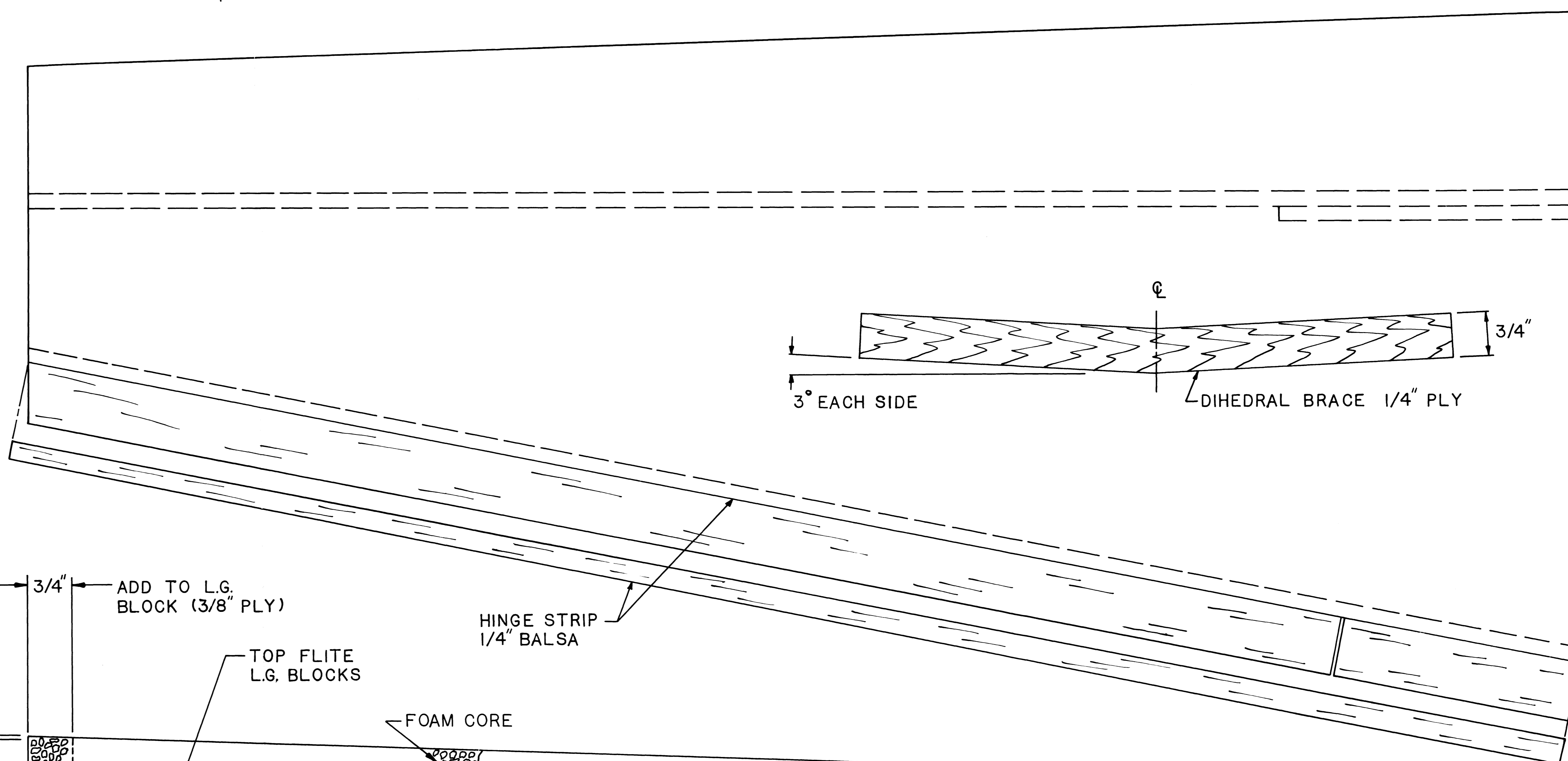
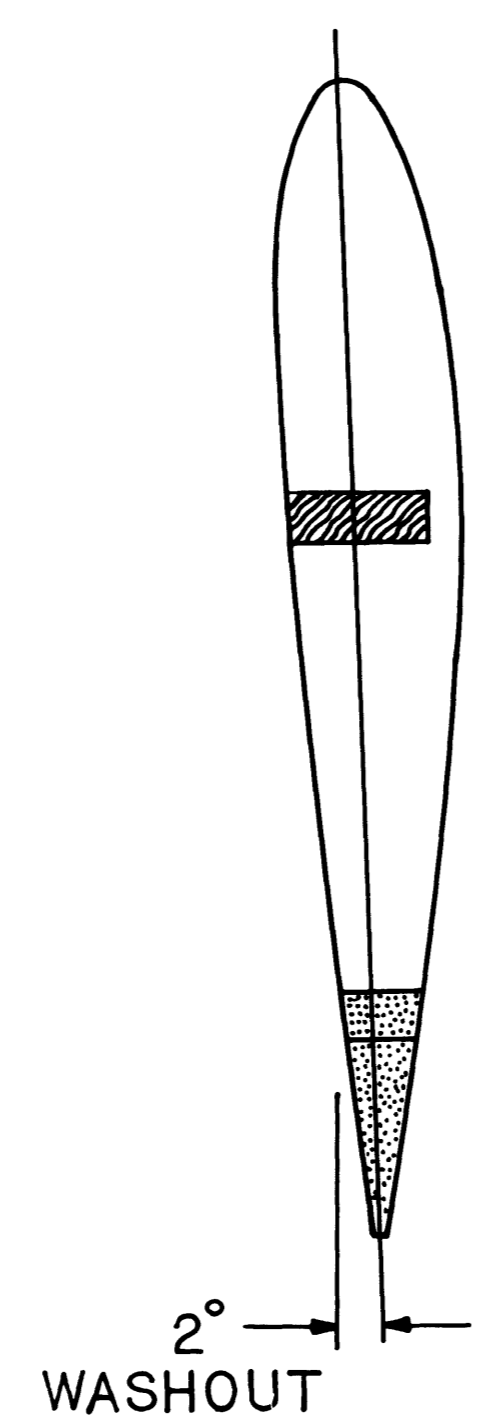




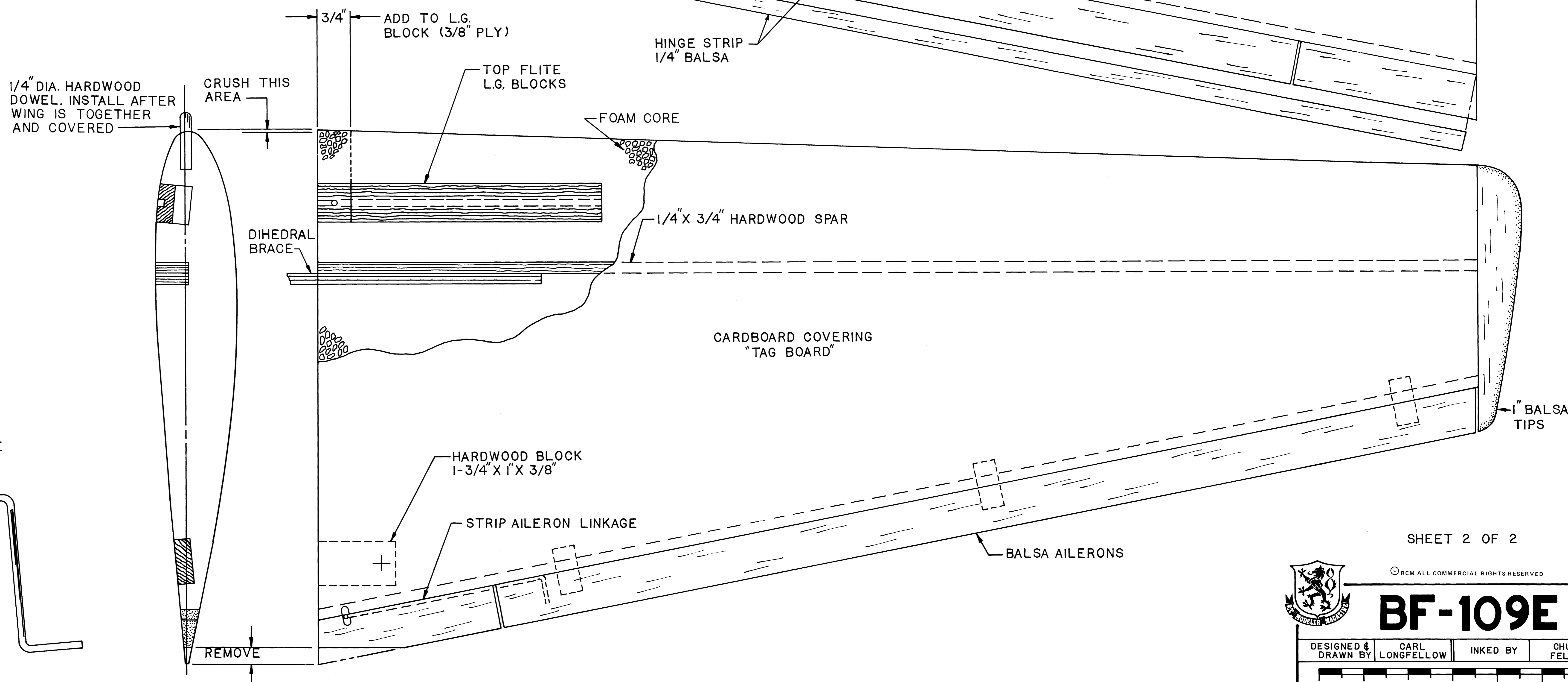
1/4" DIA. HOLE USED IN MAKING
PATTERN FOR FIBERGLASS COWL



TRIM TO FIT CANOPY
FRAMEWORK AND EPOXY
IN PLACE

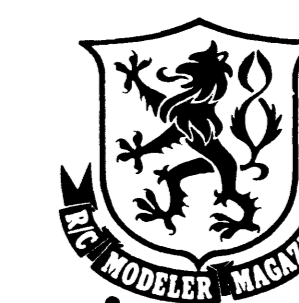


TYPICAL SERVO INSTALLATION



SHEET 2 OF 2

©RCM ALL COMMERCIAL RIGHTS RESERVED



BF-109E

DESIGNED & DRAWN BY CARL LONGFELLOW INKED BY CHUCK FELTON

